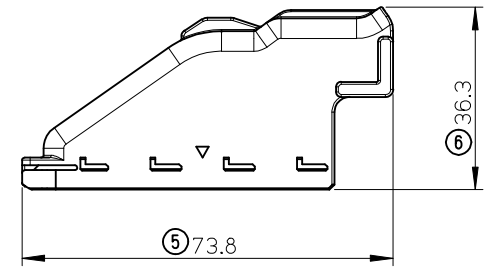
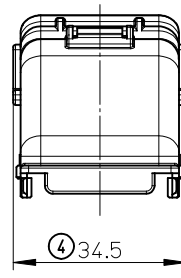
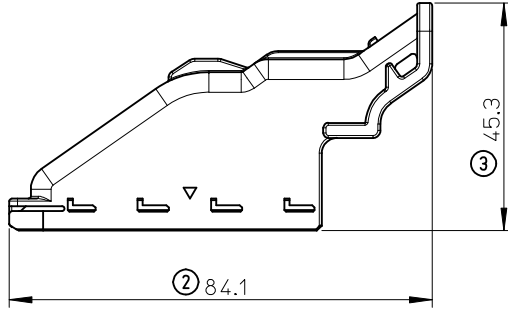
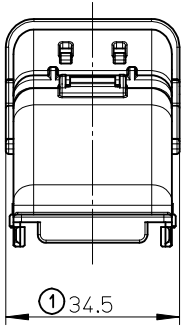
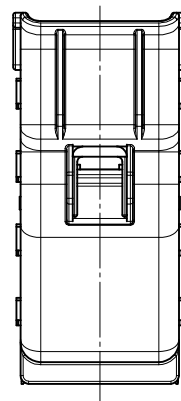
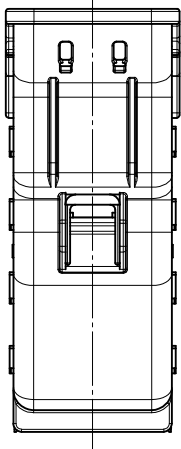


10 9 8 7 6 5 4 3 2 1



LONG TYPE
560191-0111

SHORT TYPE
560191-0101

- NOTE
- GENERAL TOLERANCES
 $< 10: \pm 0.3$
 $10 \leq < 30: \pm 0.4$
 $30 \leq : \pm 0.5$
 ANGULAR : $\pm 5^\circ$
 - APPLICABLE CONNECTOR
560155 SERIES
 - MATERIAL: PA, UNFILLED
 - COLOR: BLACK
 - ELV & RoHS COMPLIANT

PROPOSED EC NO: JTR2016-0003 DRWN:SHSHIBATA 2014/08/19 CH'KD:HKOMATSU 2014/08/19 APPR:MAYAMAMOTO 2015/11/12	QUALITY SYMBOLS	GENERAL TOLERANCES (UNLESS SPECIFIED)		DIMENSION STYLE	SCALE	DESIGN UNITS	THIRD ANGLE PROJECTION
	$F_A = 0$	4 PLACES	mm	MM ONLY	1:1	METRIC	TITLE WIRE DRESS COVER FOR COMPACTUS molex DOCUMENT NO. SD-560191-001 SHEET NO. 1 OF 1
	$F_B = 0$	3 PLACES	INCH	DRAWN BY	DATE		
	$F_C = 0$	2 PLACES		SHSHIBATA	2014/08/19		
$F_D = 0$	1 PLACE		HKOMATSU	2014/08/19			
	0 PLACE			APPROVED BY	DATE		
				MAYAMAMOTO	2015/11/12		
				MATERIAL NO.			

				SIZE	THIS DRAWING CONTAINS INFORMATION THAT IS PROPRIETARY TO MOLEX INCORPORATED AND SHOULD NOT BE USED WITHOUT WRITTEN PERMISSION		
				A3			

9 8 7 6 5 4 3 2 1