

# FCA-210-1022M ✓ ACTIVE

CII | CII FCA-125 Series

TE Internal #: 1-1617749-8

Contact Arrangement 2 Form C DPDT-CO, Tin-Lead Terminal Plating, 10A Contact Current Rating, CII FCA-125 Series, Mid-Range Relays

[View on TE.com >](#)



Relays & Contactors > Relays > Mil-Aero Relays > Mid-Range Relays



Contact Arrangement: **2 Form C DPDT-CO**

Terminal Plating: **Tin-Lead**

Contact Current Rating: **10 A**

Coil Voltage Rating: **28 VDC**

Coil Resistance: **320  $\Omega$**

## Features

### Configuration Features

Relay Options	Back EMF Suppression
Coil Special Features	Coil Suppression Diode
Contact Arrangement	2 Form C DPDT-CO

### Electrical Characteristics

Contact Current Rating	10 A
Coil Voltage Rating	28 VDC
Coil Resistance	320 $\Omega$

### Body Features

Enclosure Type	Hermetically Sealed
----------------	---------------------

### Contact Features

Contact Material	Silver Cadmium Oxide
Terminal Plating	Tin-Lead

### Termination Features

Terminal Configuration	Solder Pins
------------------------	-------------

### Mechanical Attachment

Product Mounting Feature Type	Mounting Brackets
Product Mount Type	Panel & Printed Circuit Board



### Usage Conditions

Operating Temperature Range	-70 – 125 °C
-----------------------------	--------------

### Operation/Application

Vibration Resistance	30G's, 10 – 3000Hz
Shock Resistance	200G's, 6ms
Current Type	DC
Coil Magnetic System	Polarized, Monostable

### Product Compliance

[For compliance documentation, visit the product page on TE.com>](#)

EU RoHS Directive 2011/65/EU	Not Compliant
EU ELV Directive 2000/53/EC	Not Compliant
China RoHS 2 Directive MIIT Order No 32, 2016	Restricted Materials Above Threshold
EU REACH Regulation (EC) No. 1907/2006	Current ECHA Candidate List: JUNE 2024 (241) Candidate List Declared Against: JAN 2024 (240) SVHC > Threshold: Cd (15% in Electric component) <b>Article Safe Usage Statements:</b> Use personal protective equipment as required. Do not eat, drink or smoke when using this product. Recycle if possible and dispose of the article by following all applicable governmental regulations relevant to your geographic location.
Halogen Content	Low Halogen - Br, Cl, F, I < 900 ppm per homogenous material. Also BFR/CFR/PVC Free
Solder Process Capability	Not lead free process capable

#### Product Compliance Disclaimer

This information is provided based on reasonable inquiry of our suppliers and represents our current actual knowledge based on the information they provided. This information is subject to change. The part numbers that TE has identified as EU RoHS compliant have a maximum concentration of 0.1% by weight in homogenous materials for lead, hexavalent chromium, mercury, PBB, PBDE, DBP, BBP, DEHP, DIBP, and 0.01% for cadmium, or qualify for an exemption to these limits as defined in the Annexes of Directive 2011/65/EU (RoHS2). Finished electrical and electronic equipment products will be CE marked as required by Directive 2011/65/EU. Components may not be CE marked. Additionally, the part numbers that TE has identified as EU ELV compliant have a maximum concentration of 0.1% by weight in homogenous materials for lead, hexavalent chromium, and mercury, and 0.01% for cadmium, or qualify for an exemption to these limits as defined in the Annexes of Directive 2000/53/EC (ELV). Regarding the REACH Regulation, the information TE provides on SVHC in articles for this part number is based on the latest European Chemicals Agency (ECHA) 'Guidance on requirements for substances in articles' posted at this URL: <https://echa.europa.eu/guidance-documents/guidance-on-reach>

### Compatible Parts




TE Part # 6-1617813-3  
TD229-5003P= TDFR 500 S M83726/29-5003P



TE Part # 2-1617754-3  
FCA-410-1624M=M83536/16-024M



TE Part # 1617754-3  
FCA-410-1522M=M83536/15-022M



TE Part # 4-1617808-9  
TD228-1203P=TDFO 120 SEC M83726 /28-1203P



TE Part # 9-1617805-1  
TD229-6002S=TDFR 60 SEC M83726 /29-6002S



TE Part # 2-1617815-0  
FC-325-SR4=RELAY 3PST DM



TE Part # 4-1617813-3  
FCA-325-AZ3



TE Part # 9-1617753-9  
FCA-410-1513M=M83536/15-013M



TE Part # 1-1617754-8  
FCA-410-1621L=M83536/16-021L



TE Part # 8-1617755-3  
FCA-410-AY3



TE Part # 1-1617807-3  
TD228-3003P=TDFO 300 SEC M83726 /28-3003P



TE Part # 2-1617802-6  
TD228C-5001SY= TDFO 5 SEC



TE Part # 5-1617785-6  
FCA-410-1520L=M83536/15-020L



TE Part # 1617756-6  
FCA-410-CY8



TE Part # 1-1617777-7  
FCA-410-1624L



TE Part # 1-1617786-7  
FCA-410-1631M=M83536/16-031M



TE Part # 1617786  
FCA-410-1615L=M83536/16-015L



TE Part # 1617786-5  
FCA-410-1619L=M83536/16-019L



TE Part # 2-1617785-7  
FCA-410-1504M=M83536/15-004M



TE Part # 3-1617785-1  
FCA-410-1506M=M83536/15-006M

Also in the Series | CII FCA-125 Series



Mid-Range Relays(78)

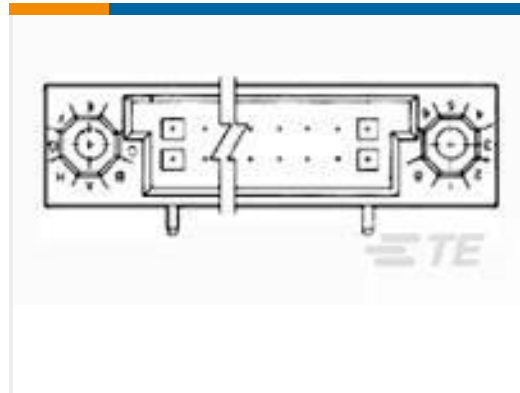
## Customers Also Bought



TE Part #3-100143-0  
PACK/A MALE HDR 110P, 2MM HM



TE Part #530341-1  
BOX EST KEY PASSIVATED



TE Part #1-532428-0  
HDI RECP ASSY 2 ROW 110 POS



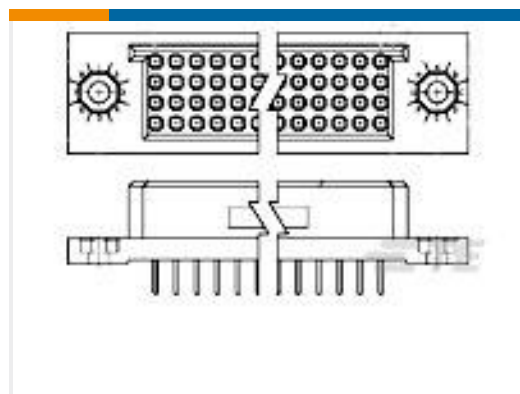
TE Part #1617121-7  
JMAC-26XL = M39016/9-062L



TE Part #530347-1  
KEY RIVET, BOX CONN



TE Part #284314-E  
STVE 160 F ABCDE VVVV 7-00 TL 4,0  
\* 247



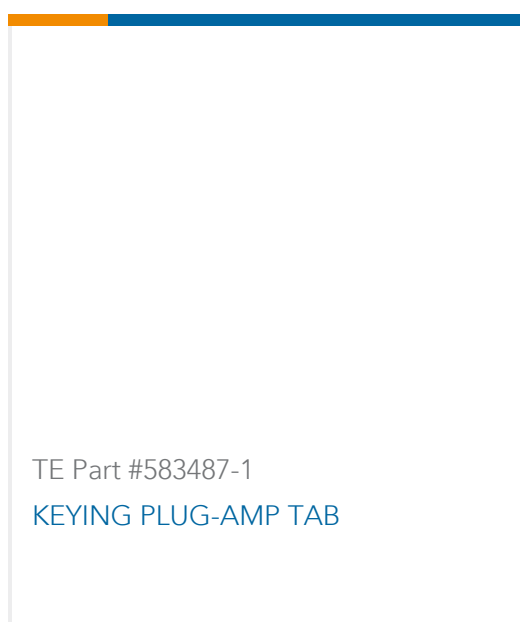
TE Part #533492-1  
BOX II 4 ROW RECP ASSY 160 POS



TE Part #3-100147-0  
Z-PACK/A F-HDR.110P



TE Part #448574-1  
ARINC 600 RCPT SZ 3 ASSY



TE Part #583487-1  
KEYING PLUG-AMP TAB

## Documents

### Product Drawings

[FCA-210-1022M=M83536/10-022M](#)

English

### CAD Files

[3D PDF](#)

[3D](#)

### Customer View Model

[ENG\\_CVM\\_CVM\\_1-1617749-8\\_B.2d\\_dxf.zip](#)



English

**Customer View Model**

[ENG\\_CVM\\_CVM\\_1-1617749-8\\_B.3d\\_igs.zip](#)

English

**Customer View Model**

[ENG\\_CVM\\_CVM\\_1-1617749-8\\_B.3d\\_stp.zip](#)

English

By downloading the CAD file I accept and agree to the [Terms and Conditions](#) of use.

**Datasheets & Catalog Pages**

[5-1773450-5\\_sec5\\_FCA-210](#)

English