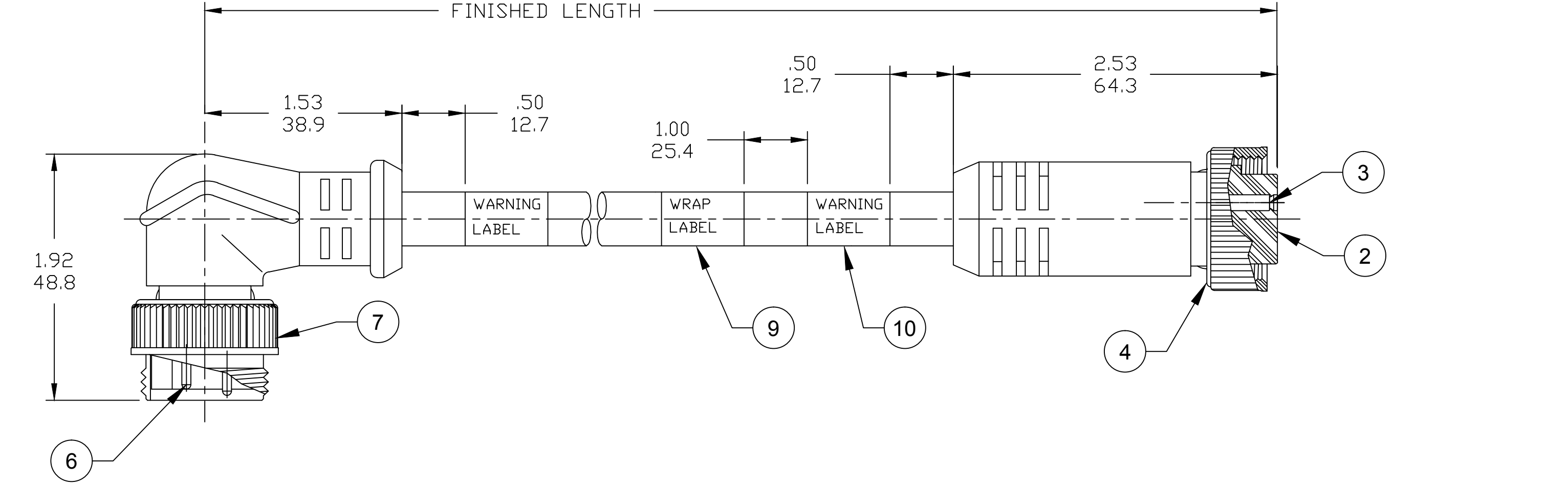
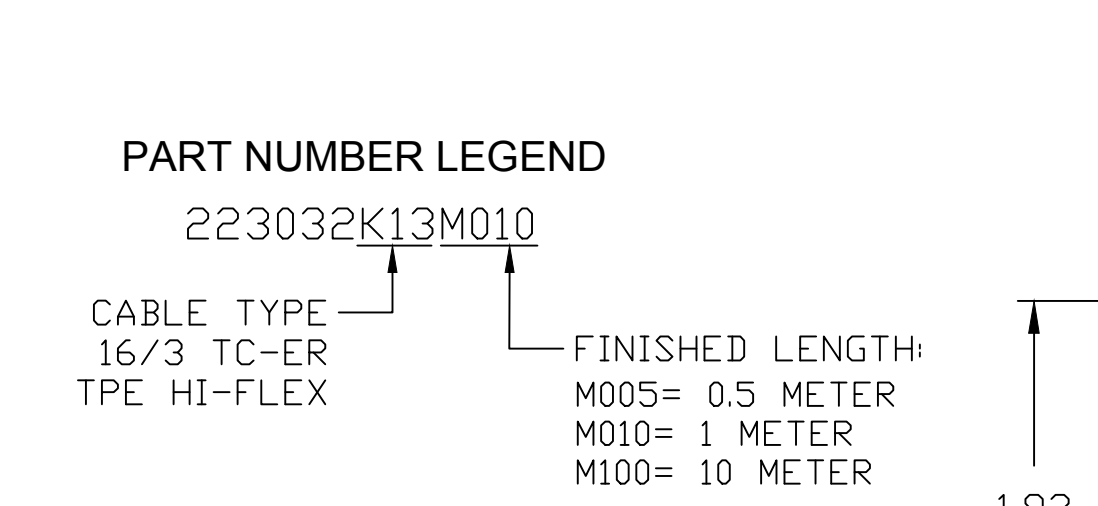


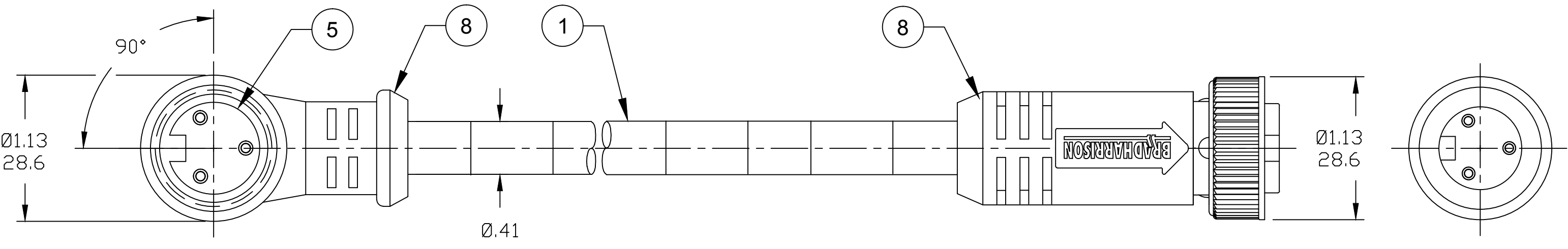
PART NO.	ENGINEERING NO.	FINISHED LENGTH
1300621266	223032K13M010	1M (3' 3")
1300621267	223032K13M020	2M (6' 7")
1300621273	223032K13M100	10M (32' 10")

**CABLE LENGTH TOLERANCES**

>.3M [1FT]:	+19mm-0 [+1.75in-0]
.3 - .9M [1 - 3FT]:	+44.5mm-0 [+1.75in-0]
.9 - 1.8M [3 - 6FT]:	+55.6mm-0 [+2.19in-0]
1.8 - 3.7M [6 - 12FT]:	+88.9mm-0 [+3.50in-0]
3.7 - 7.3M [12 - 24FT]:	+165.1mm-0 [+6.50in-0]
7.3-14.6M [24 - 48FT]:	+317.5mm-0 [+12.50in-0]
14.6 - 30.5M [48-100FT]:	+622.3mm-0 [+24.50in-0]
OVER 30M [100FT]	+2% OF FINISHED LENGTH



- NOTES:**
1. MATERIAL: AS NOTED
  2. FINISH: AS NOTED
  3. ELECTRICAL:  
VOLTAGE: 600  
CURRENT: 13A
  4. TEMP RATING: -25°TO +90°C
  5. PROTECTION: IP67 (WHEN MATED)
  6. COUPLING THREAD: 1-16 UN
  7. ALL DIMS ARE FOR REFERENCE UNLESS TOLERANCED OR NOTED OTHERWISE

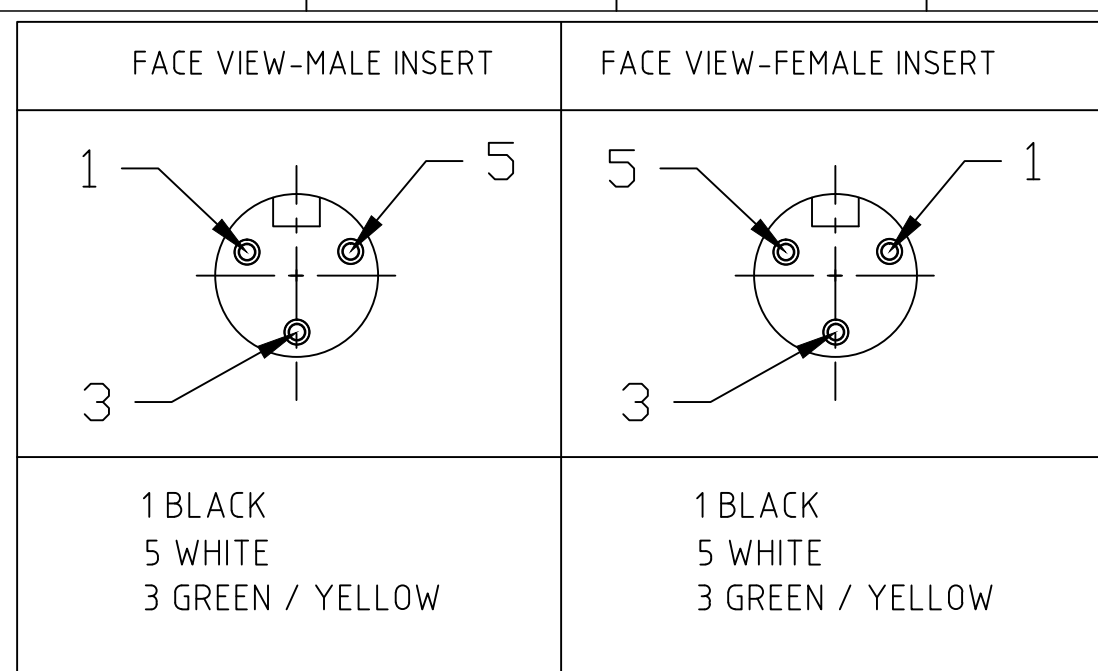


**CABLE FLEX CHARACTERISTICS**

TORSIONAL FLEX TEST	20 MILLION CYCLES PER MIL-C-13777G
BEND FLEX TEST	20 MILLION CYCLES PER MIL-C-13777G
WELD SLAG RESISTANCE	WOODHEAD STANDARD S-300

ITEM	DESCRIPTION	MATERIAL	FINISH
10	WARNING LABEL	VINYL	BLACK/DRANGE
9	WRAP LABEL	VINYL	BLACK/YELLOW
8	OVERMOLD	PVC	YELLOW
7	COUPLING, MALE	ZINC DIE-CAST	BLACK
6	CONTACT PIN	COPPER ALLOY	GOLD PLATED
5	MALE INSERT (B-SIZE)	PVC	BLACK
4	COUPLING, FEMALE	ZINC DIE-CAST	BLACK
3	CONTACT SOCKET	COPPER ALLOY	GOLD PLATED
2	FEMALE INSERT (B-SIZE)	PVC	BLACK
1	CABLE, 16AWG (FLEX)	TPE JACKET	YELLOW

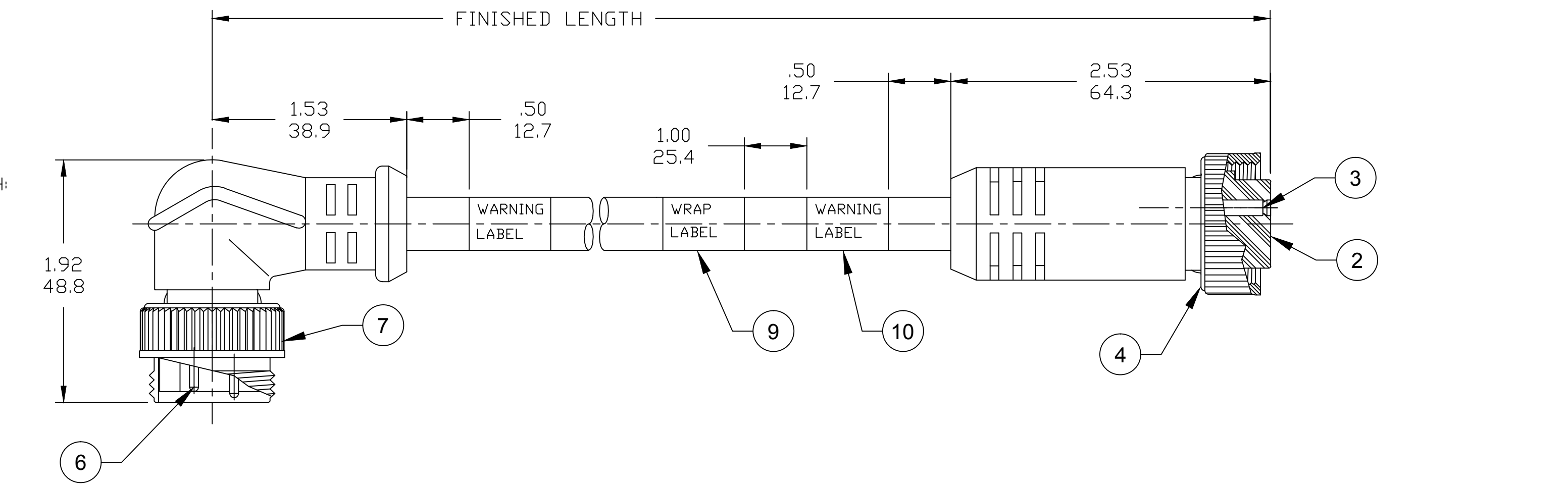
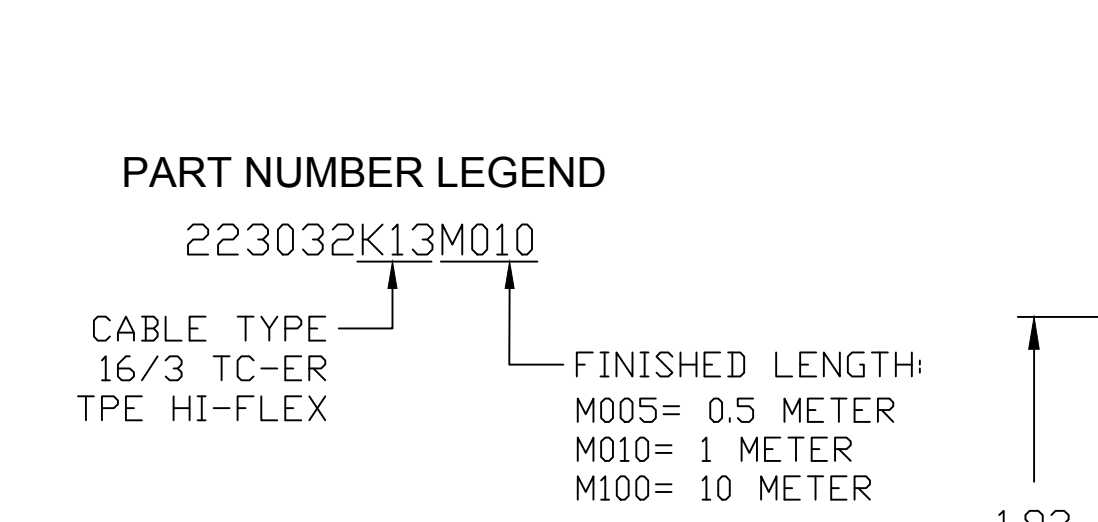
EC NO: ICG2019-0402 DRWN: RSTONE 2019/02/18 CHKD: M ZIELIN 2019/03/14 APPR: BWOODMAN2019/03/14 RELEASED	QUALITY SYMBOL ▽=0 ▽=0	GENERAL TOLERANCES (UNLESS SPECIFIED)		DIMENSION STYLE INCH/MM		SCALE ---	DESIGN UNITS INCH	THIRD ANGLE PROJECTION		
		4 PLACES ±--- ±---	mm INCH	DRAWN BY RSTONE	DATE 2019/02/18	TITLE MC MALE/FEM EXT CORD 90 DEG/STR 3P B-SIZE 16/3 TPE YELLOW				
		3 PLACES ±--- ±---		CHECKED BY M ZIELIN	DATE 2019/03/14	MOLEX INCORPORATED				
		2 PLACES ±--- ±---		APPROVED BY BWOODMAN	DATE 2019/03/14	MATERIAL NO. ---	DOCUMENT NO. SD-130062-042	SHEET NO. 1 OF 1		
		1 PLACE ±--- ±---		ANGULAR ±---°		THIS DRAWING CONTAINS INFORMATION THAT IS PROPRIETARY TO MOLEX INCORPORATED AND SHOULD NOT BE USED WITHOUT WRITTEN PERMISSION				
		DRAFT WHERE APPLICABLE MUST REMAIN WITHIN DIMENSIONS		SIZE C						



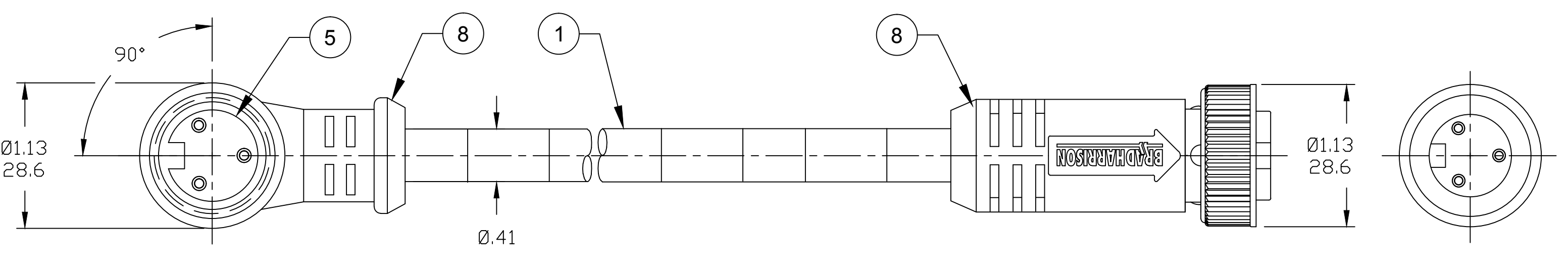
PART NO.	ENGINEERING NO.	FINISHED LENGTH
1300621266	223032K13M010	1M (3' 3")
1300621267	223032K13M020	2M (6' 7")
1300621273	223032K13M100	10M (32' 10")

**CABLE LENGTH TOLERANCES**

>.3M [1FT]:	+19mm-0 [+1.75in-0]
.3 - .9M [1 - 3FT]:	+44.5mm-0 [+1.75in-0]
.9 - 1.8M [3 - 6FT]:	+55.6mm-0 [+2.19in-0]
1.8 - 3.7M [6 - 12FT]:	+88.9mm-0 [+3.50in-0]
3.7 - 7.3M [12 - 24FT]:	+165.1mm-0 [+6.50in-0]
7.3-14.6M [24 - 48FT]:	+317.5mm-0 [+12.50in-0]
14.6 - 30.5M [48-100FT]:	+622.3mm-0 [+24.50in-0]
OVER 30M [100FT]	+2% OF FINISHED LENGTH



- NOTES:**
1. MATERIAL: AS NOTED
  2. FINISH: AS NOTED
  3. ELECTRICAL:  
VOLTAGE: 600  
CURRENT: 13A
  4. TEMP RATING: -25°TO +90°C
  5. PROTECTION: IP67 (WHEN MATED)
  6. COUPLING THREAD: 1-16 UN
  7. ALL DIMS ARE FOR REFERENCE UNLESS TOLERANCED OR NOTED OTHERWISE



**CABLE FLEX CHARACTERISTICS**

TORSIONAL FLEX TEST	20 MILLION CYCLES PER MIL-C-13777G
BEND FLEX TEST	20 MILLION CYCLES PER MIL-C-13777G
WELD SLAG RESISTANCE	WOODHEAD STANDARD S-300

ITEM	DESCRIPTION	MATERIAL	FINISH
10	WARNING LABEL	VINYL	BLACK/DRANGE
9	WRAP LABEL	VINYL	BLACK/YELLOW
8	OVERMOLD	PVC	YELLOW
7	COUPLING, MALE	ZINC DIE-CAST	BLACK
6	CONTACT PIN	COPPER ALLOY	GOLD PLATED
5	MALE INSERT (B-SIZE)	PVC	BLACK
4	COUPLING, FEMALE	ZINC DIE-CAST	BLACK
3	CONTACT SOCKET	COPPER ALLOY	GOLD PLATED
2	FEMALE INSERT (B-SIZE)	PVC	BLACK
1	CABLE, 16AWG (FLEX)	TPE JACKET	YELLOW

RELEASED

EC NO: ICG2019-0402

DRWN: RSTONE 2019/02/18

CHKD: M ZIELIN 2019/03/14

APPR: BWOODMAN 2019/03/14

QUALITY SYMBOL

▽=0

▽C=0

GENERAL TOLERANCES (UNLESS SPECIFIED)		DIMENSION STYLE INCH/MM		SCALE	DESIGN UNITS	THIRD ANGLE PROJECTION	
	mm	INCH	DRAWN BY	DATE	TITLE		
4 PLACES	±---	±---	RSTONE	2019/02/18	MC MALE/FEM EXT CORD 90 DEG/STR 3P B-SIZE 16/3 TPE YELLOW		
3 PLACES	±---	±---	CHECKED BY	DATE			
2 PLACES	±---	±---	M ZIELIN	2019/03/14			
1 PLACE	±---	±---	APPROVED BY	DATE	MOLEX INCORPORATED		
ANGULAR ±---°		BWOODMAN		2019/03/14		DOCUMENT NO.	
DRAFT WHERE APPLICABLE MUST REMAIN WITHIN DIMENSIONS			MATERIAL NO. ---		SD-130062-042	SHEET NO. 1 OF 1	
SIZE C		THIS DRAWING CONTAINS INFORMATION THAT IS PROPRIETARY TO MOLEX INCORPORATED AND SHOULD NOT BE USED WITHOUT WRITTEN PERMISSION					