



74LVC2T45

2-Bit Dual-Supply Bus Transceiver with Configurable Voltage Translation

GENERAL DESCRIPTION

The 74LVC2T45 is a 2-bit, dual-supply bus transceiver with configurable voltage translation. The device has two separate configurable power-supply rails. The A and B ports track the V_{CCA} supply and V_{CCB} supply respectively. The supply voltage pins accept any voltage from 1.65V to 5.5V. This makes the device suitable for low voltage bidirectional translation voltage nodes of 1.8V, 2.5V, 3.3V, and 5V.

The 74LVC2T45 features that allows two data buses asynchronously communicated. Either the A port outputs or the B port outputs can be activated by DIR logic levels. The DIR input circuit is supplied by V_{CCA} . When B port outputs are activated, the device allows the data to transmit from A bus to B bus. On the contrary, when A port outputs are activated, the device allows the data to transmit from B bus to A bus. The input circuit is always active on the two ports. A logic high or low must be set to avoid excessive supply current.

FEATURES

- V_{CCA} Supply Voltage Range: 1.65V to 5.5V
- V_{CCB} Supply Voltage Range: 1.65V to 5.5V
- DIR Input Circuit Referenced to V_{CCA}
- +32mA/-32mA Output Current
- Data Rates
 - ◆ 420Mbps (3.3V to 5V Translation)
 - ◆ 210Mbps (Translate to 3.3V)
 - ◆ 140Mbps (Translate to 2.5V)
 - ◆ 75Mbps (Translate to 1.8V)
- Outputs in High-Impedance State when V_{CCA} or $V_{CCB} = 0V$
- -40°C to +125°C Operating Temperature Range
- Available in Green MSOP-8 and XTDFN-1.35×1-8L Packages

APPLICATIONS

Personal Electronic Devices
Industrial and Enterprise Devices
Telecommunications

PACKAGE/ORDERING INFORMATION

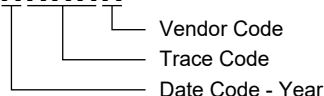
MODEL	PACKAGE DESCRIPTION	SPECIFIED TEMPERATURE RANGE	ORDERING NUMBER	PACKAGE MARKING	PACKING OPTION
74LVC2T45	MSOP-8	-40°C to +125°C	74LVC2T45XMS8G/TR	GJX XMS8 XXXXXX	Tape and Reel, 4000
	XTDFN-1.35×1-8L	-40°C to +125°C	74LVC2T45XXET8G/TR	4PX	Tape and Reel, 5000

MARKING INFORMATION

NOTE: XXXXX = Date Code, Trace Code and Vendor Code. X = Date Code.

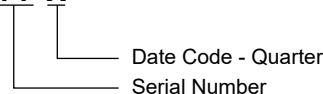
MSOP-8

XXXXX



XTDFN-1.35×1-8L

YY X



Green (RoHS & HSF): SG Micro Corp defines "Green" to mean Pb-Free (RoHS compatible) and free of halogen substances. If you have additional comments or questions, please contact your SGMICRO representative directly.

ABSOLUTE MAXIMUM RATINGS ⁽¹⁾

Supply Voltage Range, V_{CCA}	-0.5V to 6.5V
Supply Voltage Range, V_{CCB}	-0.5V to 6.5V
Input Voltage Range, V_I ⁽²⁾	-0.5V to 6.5V
Output Voltage Range, V_O ⁽²⁾	
High-Impedance State	-0.5V to 6.5V
High-State or Low-State	
A Ports	-0.5V to MIN (6.5V, $V_{CCA} + 0.5V$)
B Ports	-0.5V to MIN (6.5V, $V_{CCB} + 0.5V$)
Input Clamp Current, I_{IK} ($V_I < 0$).....	-50mA
Output Clamp Current, I_{OK} ($V_O < 0$).....	-50mA
Output Current, I_O	
High-State or Low-State	±50mA
Supply Current, I_{CCA} or I_{CCB}	100mA
Ground Current, I_{GND}	-100mA
Junction Temperature ⁽³⁾	+150°C
Storage Temperature Range	-65°C to +150°C
Lead Temperature (Soldering, 10s).....	+260°C
ESD Susceptibility	
HBM.....	4000V
CDM	1000V

OVERSTRESS CAUTION

1. Stresses beyond those listed in Absolute Maximum Ratings may cause permanent damage to the device. Exposure to absolute maximum rating conditions for extended periods may affect reliability. Functional operation of the

device at any conditions beyond those indicated in the Recommended Operating Conditions section is not implied.

2. The input negative-voltage and output voltage ratings may be exceeded if the input and output current ratings are observed.

3. The performance capability of a high-performance integrated circuit in conjunction with its thermal environment can create junction temperatures which are detrimental to reliability.

ESD SENSITIVITY CAUTION

This integrated circuit can be damaged if ESD protections are not considered carefully. SGMICRO recommends that all integrated circuits be handled with appropriate precautions. Failure to observe proper handling and installation procedures can cause damage. ESD damage can range from subtle performance degradation to complete device failure. Precision integrated circuits may be more susceptible to damage because even small parametric changes could cause the device not to meet the published specifications.

DISCLAIMER

SG Micro Corp reserves the right to make any change in circuit design, or specifications without prior notice.

74LVC2T45

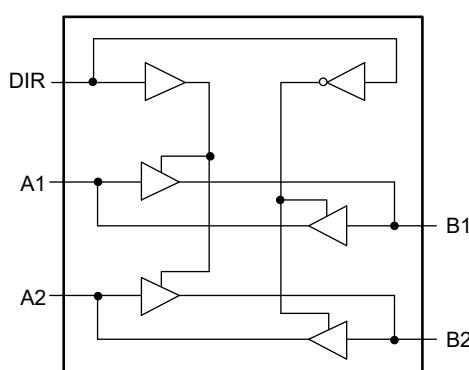
2-Bit Dual-Supply Bus Transceiver with Configurable Voltage Translation

RECOMMENDED OPERATING CONDITIONS

Supply Voltage Range, V_{CCA} 1.65V to 5.5V
 Supply Voltage Range, V_{CCB} 1.65V to 5.5V
 Input Voltage Range, V_I 0V to 5.5V
 Output Voltage Range, V_O
 High-Impedance State 0V to 5.5V
 High-State or Low-State
 A Ports 0V to V_{CCA}
 B Ports 0V to V_{CCB}
 High-Level Output Current, I_{OH} -32mA

Low-Level Output Current, I_{OL} 32mA
 Input Transition Rise or Fall Rate, $\Delta t/\Delta V$
 Data Inputs
 $V_{CCI} = 1.65V$ to 1.95V 20ns/V (MAX)
 $V_{CCI} = 2.3V$ to 2.7V 20ns/V (MAX)
 $V_{CCI} = 3V$ to 3.6V 10ns/V (MAX)
 $V_{CCI} = 4.5V$ to 5.5V 5ns/V (MAX)
 Control Input
 $V_{CCI} = 1.65V$ to 5.5V 5ns/V (MAX)
 Operating Temperature Range -40°C to +125°C

LOGIC DIAGRAM



FUNCTION TABLE

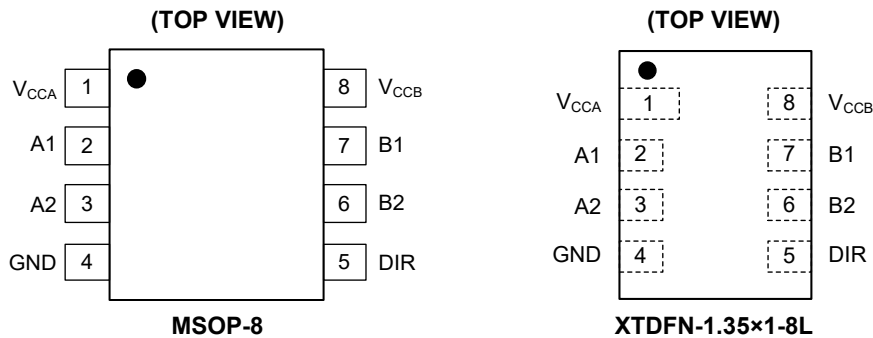
SUPPLY VOLTAGE	CONTROL INPUT	INPUT/OUTPUT ⁽¹⁾	
V_{CCA}, V_{CCB}	DIR ⁽²⁾	An	Bn
1.65V to 5.5V	L	An = Bn	Input
1.65V to 5.5V	H	Input	Bn = An
GND ⁽³⁾	X	Z	Z

H = High Voltage Level
 L = Low Voltage Level
 X = Don't Care
 Z = High-Impedance State

NOTES:

1. The input circuit of the data I/O is always active.
2. The DIR input circuit is referenced to V_{CCA} .
3. If at least one of V_{CCA} or V_{CCB} is at GND level, the outputs in High-Impedance State.

PIN CONFIGURATIONS



PIN DESCRIPTION

PIN		NAME	FUNCTION
MSOP-8	XTDFN-1.35x1-8L		
1	1	V _{CCA}	Supply Voltage on A Ports.
2	2	A1	Input/Output. It tracks the V _{CCA} supply.
3	3	A2	Input/Output. It tracks the V _{CCA} supply.
4	4	GND	Ground.
5	5	DIR	Direction Control Signal.
6	6	B2	Input/Output. It tracks the V _{CCB} supply.
7	7	B1	Input/Output. It tracks the V _{CCB} supply.
8	8	V _{CCB}	Supply Voltage on B Ports.

ELECTRICAL CHARACTERISTICS

(Full = -40°C to +125°C, typical values are at $T_A = +25^\circ\text{C}$. V_{CCI} is the supply voltage associated with the data input port, V_{CCO} is the supply voltage associated with the output port, unless otherwise noted.)

PARAMETER	SYMBOL	CONDITIONS	TEMP	MIN	TYP	MAX	UNITS
Supply Voltage	V_{CCA}		Full	1.65		5.5	V
	V_{CCB}		Full	1.65		5.5	
High-Level Input Voltage	V_{IH}	Data and DIR inputs	$V_{CCI} = 1.65\text{V to }1.95\text{V}$	Full	$0.65 \times V_{CCI}$		V
			$V_{CCI} = 2.3\text{V to }2.7\text{V}$	Full	1.7		
			$V_{CCI} = 3\text{V to }3.6\text{V}$	Full	2		
			$V_{CCI} = 4.5\text{V to }5.5\text{V}$	Full	$0.7 \times V_{CCI}$		
Low-Level Input Voltage	V_{IL}	Data and DIR inputs	$V_{CCI} = 1.65\text{V to }1.95\text{V}$	Full		$0.35 \times V_{CCI}$	V
			$V_{CCI} = 2.3\text{V to }2.7\text{V}$	Full		0.7	
			$V_{CCI} = 3\text{V to }3.6\text{V}$	Full		0.8	
			$V_{CCI} = 4.5\text{V to }5.5\text{V}$	Full		$0.3 \times V_{CCI}$	
High-Level Output Voltage	V_{OH}	$V_I = V_{IH}$	$V_{CCO} = 1.65\text{V to }4.5\text{V}$, $I_{OH} = -100\mu\text{A}$	Full	$V_{CCO} - 0.03$		V
			$V_{CCO} = 1.65\text{V}$, $I_{OH} = -4\text{mA}$	Full	1.37		
			$V_{CCO} = 2.3\text{V}$, $I_{OH} = -8\text{mA}$	Full	2.00		
			$V_{CCO} = 3\text{V}$, $I_{OH} = -24\text{mA}$	Full	2.44		
			$V_{CCO} = 4.5\text{V}$, $I_{OH} = -32\text{mA}$	Full	3.98		
			$V_{CCO} = 5.5\text{V}$, $I_{OH} = -32\text{mA}$	Full	5.04		
Low-Level Output Voltage	V_{OL}	$V_I = V_{IL}$	$V_{CCO} = 1.65\text{V to }4.5\text{V}$, $I_{OL} = 100\mu\text{A}$	Full		0.03	V
			$V_{CCO} = 1.65\text{V}$, $I_{OL} = 4\text{mA}$	Full		0.24	
			$V_{CCO} = 2.3\text{V}$, $I_{OL} = 8\text{mA}$	Full		0.25	
			$V_{CCO} = 3\text{V}$, $I_{OL} = 24\text{mA}$	Full		0.45	
			$V_{CCO} = 4.5\text{V}$, $I_{OL} = 32\text{mA}$	Full		0.50	
			$V_{CCO} = 5.5\text{V}$, $I_{OL} = 32\text{mA}$	Full		0.47	
Input Leakage Current	I_I	$V_I = V_{CCA}$ or GND, $V_{CCA} = V_{CCB} = 1.65\text{V to }5.5\text{V}$	Full			± 1	μA
Power-Off Leakage Current	I_{OFF}	V_I or $V_O = 0\text{V to }5.5\text{V}$	A port, $V_{CCA} = 0\text{V}$, $V_{CCB} = 0\text{V to }5.5\text{V}$	Full		± 1	μA
			B port, $V_{CCB} = 0\text{V}$, $V_{CCA} = 0\text{V to }5.5\text{V}$	Full		± 1	
Off-State Output Current ⁽¹⁾	I_{OZ}	$V_{CCA} = V_{CCB} = 1.65\text{V to }5.5\text{V}$, $V_O = V_{CCO}$ or GND	Full			± 1	μA
Supply Current	I_{CCA}	$V_I = V_{CCI}$ or GND, $I_O = 0$	$V_{CCA} = V_{CCB} = 1.65\text{V to }5.5\text{V}$	Full		2	μA
			$V_{CCA} = 5\text{V}$, $V_{CCB} = 0\text{V}$	Full		2	
			$V_{CCA} = 0\text{V}$, $V_{CCB} = 5\text{V}$	Full	-2		
	I_{CCB}		$V_{CCA} = V_{CCB} = 1.65\text{V to }5.5\text{V}$	Full		2	
			$V_{CCA} = 5\text{V}$, $V_{CCB} = 0\text{V}$	Full	-2		
			$V_{CCA} = 0\text{V}$, $V_{CCB} = 5\text{V}$	Full		2	
$I_{CCA} + I_{CCB}$	$V_I = V_{CCI}$ or GND, $I_O = 0$	$V_{CCA} = V_{CCB} = 1.65\text{V to }5.5\text{V}$	Full			4	
Additional Supply Current	ΔI_{CCA}	One A port at $V_{CCA} - 0.6\text{V}$, DIR at V_{CCA} , B port = open, $V_{CCA} = V_{CCB} = 3\text{V to }5.5\text{V}$	Full			10	μA
		DIR at $V_{CCA} - 0.6\text{V}$, A port at V_{CCA} or GND, B port = open, $V_{CCA} = V_{CCB} = 3\text{V to }5.5\text{V}$	Full			10	
	ΔI_{CCB}	One B port at $V_{CCB} - 0.6\text{V}$, DIR at GND, A port = open, $V_{CCA} = V_{CCB} = 3\text{V to }5.5\text{V}$	Full			10	
Input Capacitance	C_I	$V_{CCA} = V_{CCB} = 3.3\text{V}$, DIR input, $V_I = V_{CCA}$ or GND	+25°C		4		pF
Input/Output Capacitance	C_{IO}	$V_{CCA} = V_{CCB} = 3.3\text{V}$, A and B ports, $V_O = V_{CCA/B}$ or GND	+25°C		5		pF

NOTE:

1. For I/O ports, the parameter I_{OZ} includes the input leakage current.

DYNAMIC CHARACTERISTICS

(For test circuit see Figure 1. Minimum and maximum values are at $T_A = -40^\circ\text{C}$ to $+125^\circ\text{C}$, typical values are at $T_A = +25^\circ\text{C}$, unless otherwise noted.)

PARAMETER	SYMBOL	CONDITIONS	V_{CCB}												UNITS
			$1.8\text{V} \pm 0.15\text{V}$			$2.5\text{V} \pm 0.2\text{V}$			$3.3\text{V} \pm 0.3\text{V}$			$5\text{V} \pm 0.5\text{V}$			
			MIN ⁽¹⁾	TYP	MAX ⁽¹⁾	MIN ⁽¹⁾	TYP	MAX ⁽¹⁾	MIN ⁽¹⁾	TYP	MAX ⁽¹⁾	MIN ⁽¹⁾	TYP	MAX ⁽¹⁾	
$V_{CCA} = 1.8\text{V} \pm 0.15\text{V}$															
Propagation Delay	t_{PLH}	A to B	1.5	6	13	1	4.5	9	1	4	7.5	1	4	7	ns
	t_{PHL}		1.5	6	13	1	4.5	8.5	1	4	7.5	1	4	7	
	t_{PLH}	B to A	1.5	6	13	1	5	12	1	5	11.5	1	5	11	
	t_{PHL}		1.5	6	13	1	5	12	1	5	11.5	1	5	11.5	
Disable Time	t_{PHZ}	DIR to A	3	10.5	16	3	10.5	16	3	10.5	16	3	10.5	16	ns
	t_{PLZ}		2.5	7	11.5	2.5	7.5	11.5	2.5	7	12	2.5	8.5	13	
	t_{PHZ}	DIR to B	3	14	22	2.5	9	14	2.5	6	11	2.5	5.5	9	
	t_{PLZ}		3	10	17	2	6	11	2.5	6.5	10	2	5	8	
Enable Time ⁽²⁾	t_{PZH}	DIR to A		16	30		11	23		11.5	21.5		10	19	ns
	t_{PZL}			20	35		14	26		11	22.5		10.5	20.5	
	t_{PZH}	DIR to B		13	24.5		12	20.5		11	19.5		12.5	20	
	t_{PZL}			16.5	29		15	24.5		14.5	23.5		14.5	23	
$V_{CCA} = 2.5\text{V} \pm 0.2\text{V}$															
Propagation Delay	t_{PLH}	A to B	1	5	12	1	3.5	7.5	1	3	6	0.7	3	5.5	ns
	t_{PHL}		1	5	12	1	3.5	7.5	1	3	6	0.7	3	5.5	
	t_{PLH}	B to A	1	4.5	9	1	3.5	7.5	1	3.5	7	1	3.5	7	
	t_{PHL}		1	4.5	8.5	1	3.5	7.5	1	3.5	7	0.9	3.5	7	
Disable Time	t_{PHZ}	DIR to A	2	7	10	2	7	10	2	7	10	2	7.5	11	ns
	t_{PLZ}		1.5	3.5	8	1.5	3.5	8	1.5	3.5	8	1.5	4	8	
	t_{PHZ}	DIR to B	3.5	12.5	20.5	2.5	7.5	12	2.5	5	10	2	4	7.5	
	t_{PLZ}		3	9	16	2	5	10	2.5	5.5	9	2	4	7	
Enable Time ⁽²⁾	t_{PZH}	DIR to A		13.5	25		8.5	17.5		9	16		7.5	14	ns
	t_{PZL}			17	29		11	19.5		8.5	17		7.5	14.5	
	t_{PZH}	DIR to B		8.5	20		7	15.5		6.5	14		7	13.5	
	t_{PZL}			12	22		10.5	17.5		10	16		10.5	16.5	

DYNAMIC CHARACTERISTICS (continued)

(For test circuit see Figure 1. Minimum and maximum values are at $T_A = -40^\circ\text{C}$ to $+125^\circ\text{C}$, typical values are at $T_A = +25^\circ\text{C}$, unless otherwise noted.)

PARAMETER	SYMBOL	CONDITIONS	V_{CCB}												UNITS
			$1.8\text{V} \pm 0.15\text{V}$			$2.5\text{V} \pm 0.2\text{V}$			$3.3\text{V} \pm 0.3\text{V}$			$5\text{V} \pm 0.5\text{V}$			
			MIN ⁽¹⁾	TYP	MAX ⁽¹⁾	MIN ⁽¹⁾	TYP	MAX ⁽¹⁾	MIN ⁽¹⁾	TYP	MAX ⁽¹⁾	MIN ⁽¹⁾	TYP	MAX ⁽¹⁾	
$V_{CCA} = 3.3\text{V} \pm 0.3\text{V}$															
Propagation Delay	t_{PLH}	A to B	1	5	11.5	1	3.5	7	0.7	3	5.5	0.7	2.5	5	ns
	t_{PHL}		1	5	11.5	1	3.5	7	0.8	3	5.5	0.7	2.5	5	
	t_{PLH}	B to A	1	4	7.5	1	3	6	0.7	3	5.5	0.6	3	5.5	
	t_{PHL}		1	4	7.5	1	3	6	0.8	3	5.5	0.7	3	5.5	
Disable Time	t_{PHZ}	DIR to A	2	4	8.5	2	4	8.5	2	4	8.5	2	4	8.5	ns
	t_{PLZ}		1.5	3.5	8	1.5	3.5	8	1.5	4	8	1.5	4	8	
	t_{PHZ}	DIR to B	3.5	12.5	20	2.5	8	12	2.5	5	10	2	4	7.5	
	t_{PLZ}		3	8	15.5	2	4.5	10	2	5.5	8.5	1.5	3.5	7.5	
Enable Time ⁽²⁾	t_{PZH}	DIR to A		12	23		7.5	16		8.5	14		6.5	13	ns
	t_{PZL}			16.5	27.5		11	18		8	15.5		7	13	
	t_{PZH}	DIR to B		8.5	19.5		7	15		7	13.5		6.5	13	
	t_{PZL}			9	20		7.5	15.5		7	14		6.5	13.5	
$V_{CCA} = 5\text{V} \pm 0.5\text{V}$															
Propagation Delay	t_{PLH}	A to B	1	5	11	1	3.5	7	0.6	3	5.5	0.5	2.5	5	ns
	t_{PHL}		1	5	11.5	0.9	3.5	7	0.7	3	5.5	0.5	2.5	4.5	
	t_{PLH}	B to A	1	4	7	0.7	3	5.5	0.7	2.5	5	0.5	2.5	5	
	t_{PHL}		1	4	7	0.7	3	5.5	0.7	2.5	5	0.5	2.5	4.5	
Disable Time	t_{PHZ}	DIR to A	1.5	4	6.5	1.5	4	6.5	1.5	4	6.5	1.5	4	7	ns
	t_{PLZ}		1	3	5.5	1	3	5.5	1	3	5.5	1	3	5.5	
	t_{PHZ}	DIR to B	3.5	12	19.5	2.5	8	12.5	2.5	5	10	2	4	7.5	
	t_{PLZ}		3	9.5	16	2	5.5	9	2	5.5	8.5	1.5	3.5	6	
Enable Time ⁽²⁾	t_{PZH}	DIR to A		13.5	23		8.5	14.5		8	13.5		6	11	ns
	t_{PZL}			16	26.5		11	18		7.5	15		6.5	12	
	t_{PZH}	DIR to B		8	16.5		6.5	12.5		6	11		5.5	10.5	
	t_{PZL}			9	18		7.5	13.5		7	12		6.5	11.5	

NOTE:

- Specified by design and characterization; not production tested.
- The enable time value is calculated. Calculate the enable times for the 74LVC2T45 using the following formulas:
 - t_{PZH} (DIR to A) = t_{PLZ} (DIR to B) + t_{PLH} (B to A)
 - t_{PZL} (DIR to A) = t_{PHZ} (DIR to B) + t_{PHL} (B to A)
 - t_{PZH} (DIR to B) = t_{PLZ} (DIR to A) + t_{PLH} (A to B)
 - t_{PZL} (DIR to B) = t_{PHZ} (DIR to A) + t_{PHL} (A to B)

DYNAMIC CHARACTERISTICS (continued)(For test circuit, see Figure 1, typical values are at $T_A = +25^\circ\text{C}$, unless otherwise noted.)

PARAMETER	SYMBOL	CONDITIONS	$V_{CCA} = V_{CCB} = 1.8\text{V}$	$V_{CCA} = V_{CCB} = 2.5\text{V}$	$V_{CCA} = V_{CCB} = 3.3\text{V}$	$V_{CCA} = V_{CCB} = 5\text{V}$	UNITS	
			TYP	TYP	TYP	TYP		
Power Dissipation Capacitance ⁽¹⁾	C_{PDA}	$C_L = 0\text{pF}$, $f = 10\text{MHz}$, $t_R = t_F = 1\text{ns}$	A Port Input, B Port Output	3	3	4	5	pF
			B Port Input, A Port Output	19	20	21	22	
	C_{PDB}	$C_L = 0\text{pF}$, $f = 10\text{MHz}$, $t_R = t_F = 1\text{ns}$	A Port Input, B Port Output	19	20	21	22	pF
			B Port Input, A Port Output	3	3	4	5	

NOTE:

1. Power dissipation capacitance per transceiver. C_{PD} is used to determine the dynamic power dissipation (P_D in μW).

$$P_D = C_{PD} \times V_{CC}^2 \times f_i \times N + \Sigma(C_L \times V_{CC}^2 \times f_o)$$

where:

f_i = input frequency in MHz.

f_o = output frequency in MHz.

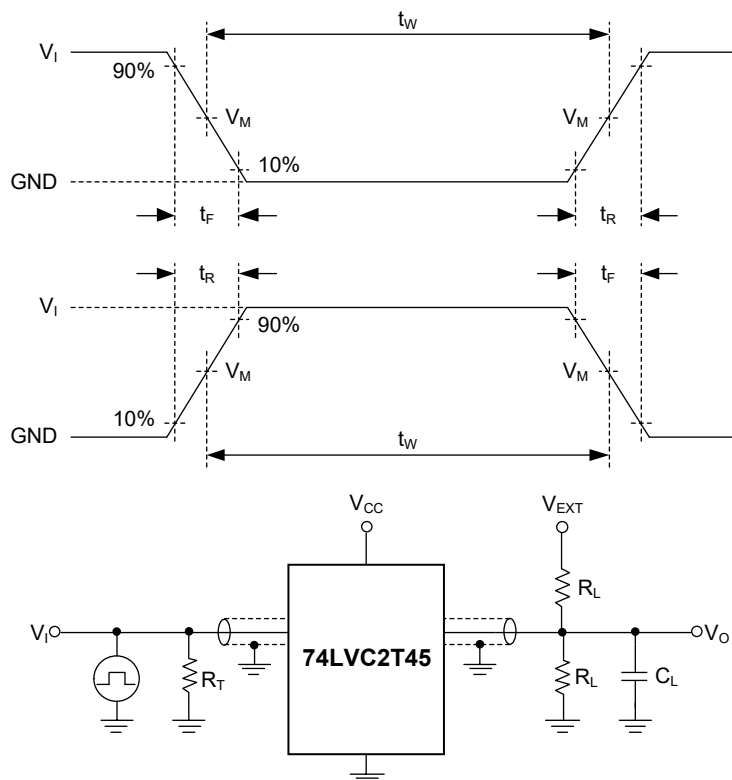
C_L = output load capacitance in pF.

V_{CC} = supply voltage in Volts.

N = number of inputs switching.

$\Sigma(C_L \times V_{CC}^2 \times f_o)$ = sum of the outputs.

TEST CIRCUIT



Test conditions are given in Table 1.

Definitions for test circuit:

R_L : Load resistance.

C_L : Load capacitance (includes jig and probe).

R_T : Termination resistance (equals to output impedance Z_O of the pulse generator).

V_{EXT} : External voltage used to measure switching time.

Figure 1. Test Circuit for Measuring Switching Times

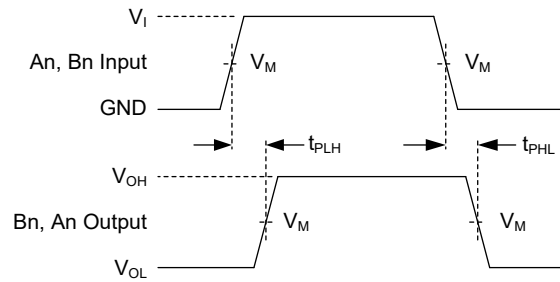
Table 1. Test Conditions

SUPPLY VOLTAGE	INPUT		LOAD		V_{EXT}		
V_{CCA}, V_{CCB}	$V_I^{(1)}$	t_R, t_F	C_L	R_L	t_{PHZ}, t_{PZH}	$t_{PLZ}, t_{PZL}^{(2)}$	t_{PLH}, t_{PHL}
1.65V to 5.5V	V_{CCI}	$\leq 2.5\text{ns}$	15pF	2k Ω	GND	$2 \times V_{CCO}$	Open

NOTES:

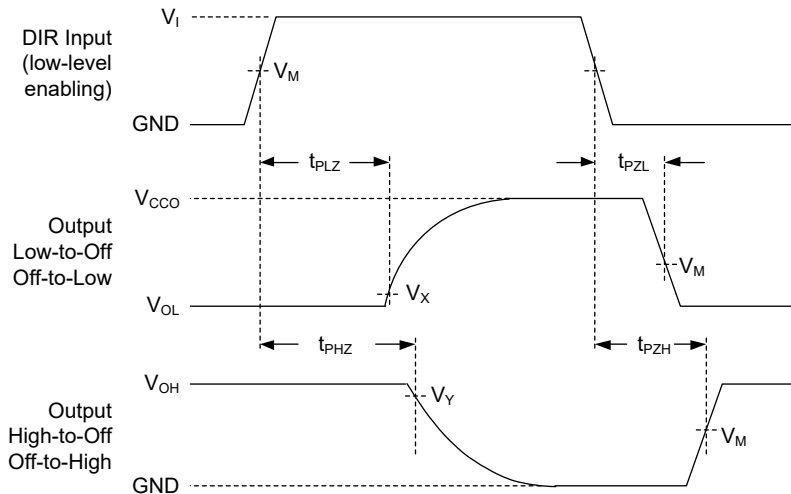
- V_{CCI} is the supply voltage related to the input port.
- V_{CCO} is the supply voltage related to the output port.

WAVEFORMS



Test conditions are given in Table 1.
 Measurement points are given in Table 2.
 Logic levels: V_{OL} and V_{OH} are typical output voltage levels that occur with the output load.

Figure 2. Input (An, Bn) to Output (Bn, An) Propagation Delay Times



Test conditions are given in Table 1.
 Measurement points are given in Table 2.
 Logic levels: V_{OL} and V_{OH} are typical output voltage levels that occur with the output load.

Figure 3. Enable and Disable Times

Table 2. Measurement Points

SUPPLY VOLTAGE	INPUT		OUTPUT		
	$V_I^{(1)}$	$V_M^{(2)}$	$V_M^{(3)}$	V_X	V_Y
V_{CCA}, V_{CCB}					
1.65V to 2.7V	V_{CCI}	$0.5 \times V_{CCI}$	$0.5 \times V_{CCO}$	$V_{OL} + 0.15V$	$V_{OH} - 0.15V$
3V to 5.5V	V_{CCI}	$0.5 \times V_{CCI}$	$0.5 \times V_{CCO}$	$V_{OL} + 0.3V$	$V_{OH} - 0.3V$

NOTES:

- V_{CCI} is the supply voltage related to the input port.
- The measurement points should be V_{IH} or V_{IL} when the input rising or falling time exceeds 2.5ns.
- V_{CCO} is the supply voltage related to the output port.

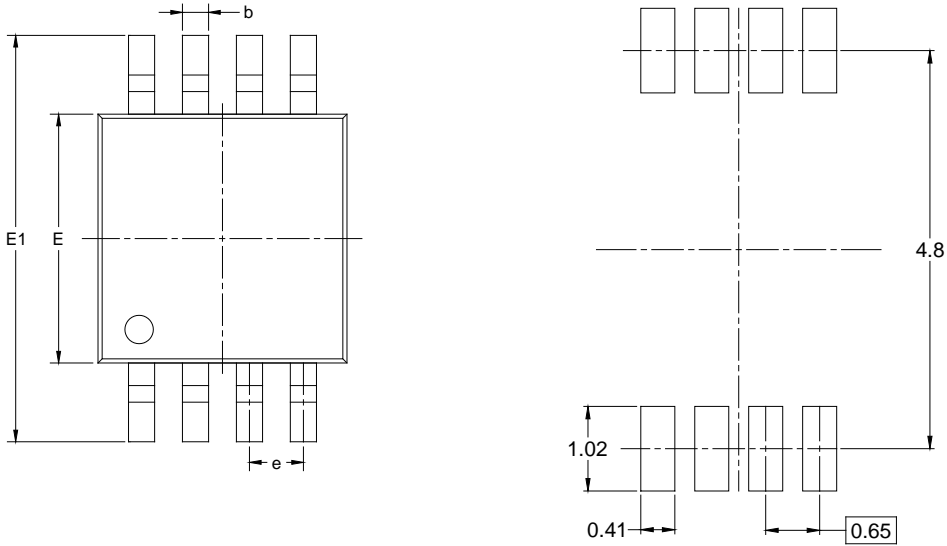
REVISION HISTORY

NOTE: Page numbers for previous revisions may differ from page numbers in the current version.

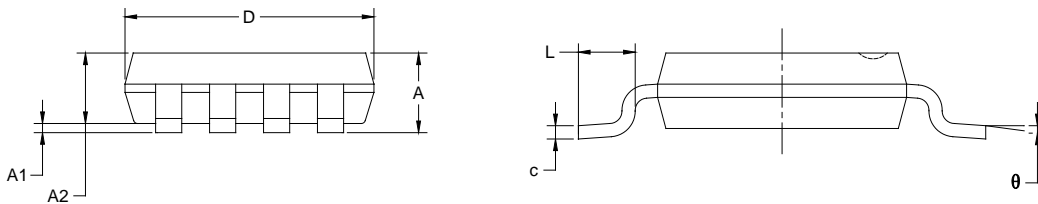
Changes from Original (JUNE 2022) to REV.A	Page
Changed from product preview to production data.....	All

PACKAGE OUTLINE DIMENSIONS

MSOP-8



RECOMMENDED LAND PATTERN (Unit: mm)



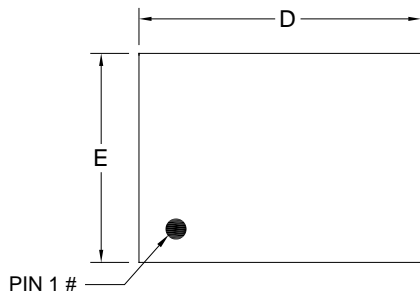
Symbol	Dimensions In Millimeters		Dimensions In Inches	
	MIN	MAX	MIN	MAX
A	0.820	1.100	0.032	0.043
A1	0.020	0.150	0.001	0.006
A2	0.750	0.950	0.030	0.037
b	0.250	0.380	0.010	0.015
c	0.090	0.230	0.004	0.009
D	2.900	3.100	0.114	0.122
E	2.900	3.100	0.114	0.122
E1	4.750	5.050	0.187	0.199
e	0.650 BSC		0.026 BSC	
L	0.400	0.800	0.016	0.031
θ	0°	6°	0°	6°

NOTES:

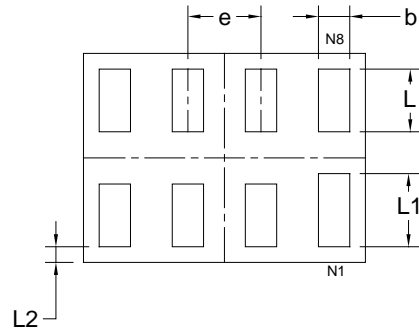
1. Body dimensions do not include mode flash or protrusion.
2. This drawing is subject to change without notice.

PACKAGE OUTLINE DIMENSIONS

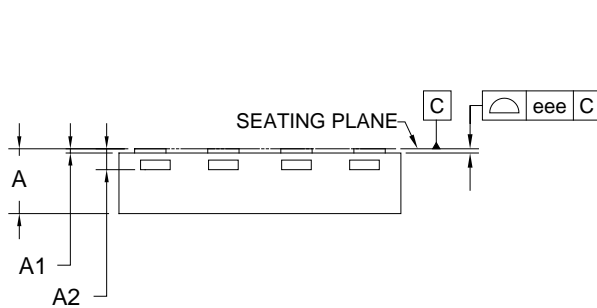
XTDFN-1.35x1-8L



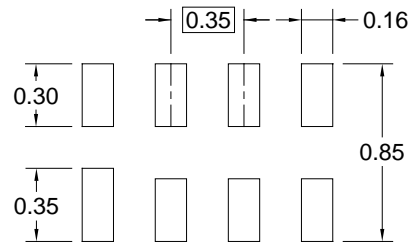
TOP VIEW



BOTTOM VIEW



SIDE VIEW



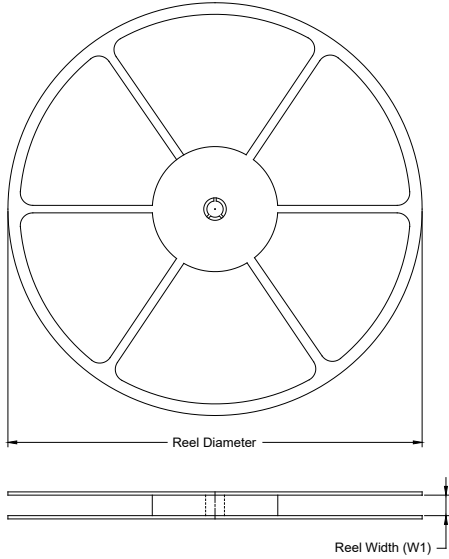
RECOMMENDED LAND PATTERN (Unit: mm)

Symbol	Dimensions In Millimeters		
	MIN	MOD	MAX
A	-	0.310	0.330
A1	0.000	-	0.050
A2	0.100 REF		
D	1.250	1.350	1.450
E	0.900	1.000	1.100
b	0.110	0.160	0.210
e	0.350 BSC		
L	0.250	0.300	0.350
L1	0.300	0.350	0.400
L2	0.075 REF		
eee	-	0.050	-

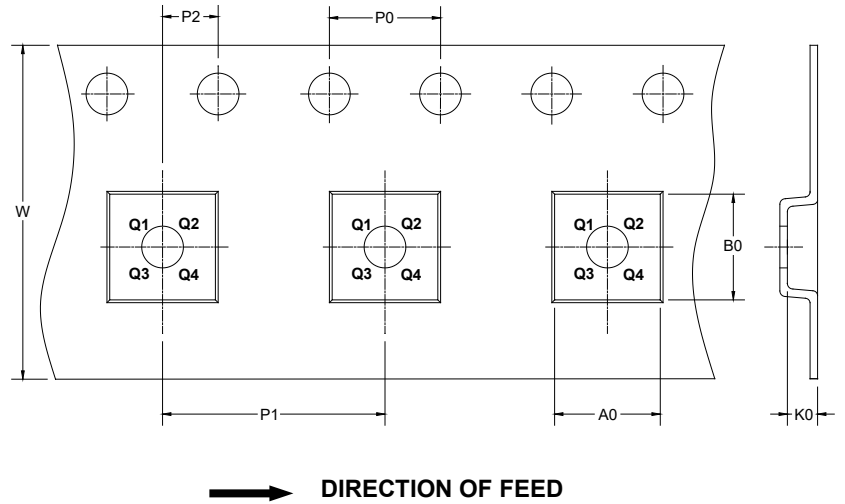
NOTE: This drawing is subject to change without notice.

TAPE AND REEL INFORMATION

REEL DIMENSIONS



TAPE DIMENSIONS



NOTE: The picture is only for reference. Please make the object as the standard.

KEY PARAMETER LIST OF TAPE AND REEL

Package Type	Reel Diameter	Reel Width W1 (mm)	A0 (mm)	B0 (mm)	K0 (mm)	P0 (mm)	P1 (mm)	P2 (mm)	W (mm)	Pin1 Quadrant
MSOP-8	13"	12.4	5.20	3.30	1.50	4.0	8.0	2.0	12.0	Q1
XTDFN-1.35×1-8L	7"	9.5	1.21	1.51	0.39	4.0	4.0	2.0	8.0	Q1

DD0001

PACKAGE INFORMATION

CARTON BOX DIMENSIONS



NOTE: The picture is only for reference. Please make the object as the standard.

KEY PARAMETER LIST OF CARTON BOX

Reel Type	Length (mm)	Width (mm)	Height (mm)	Pizza/Carton
7" (Option)	368	227	224	8
7"	442	410	224	18
13"	386	280	370	5

DD0002