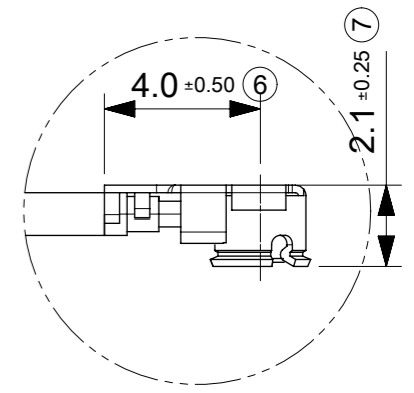
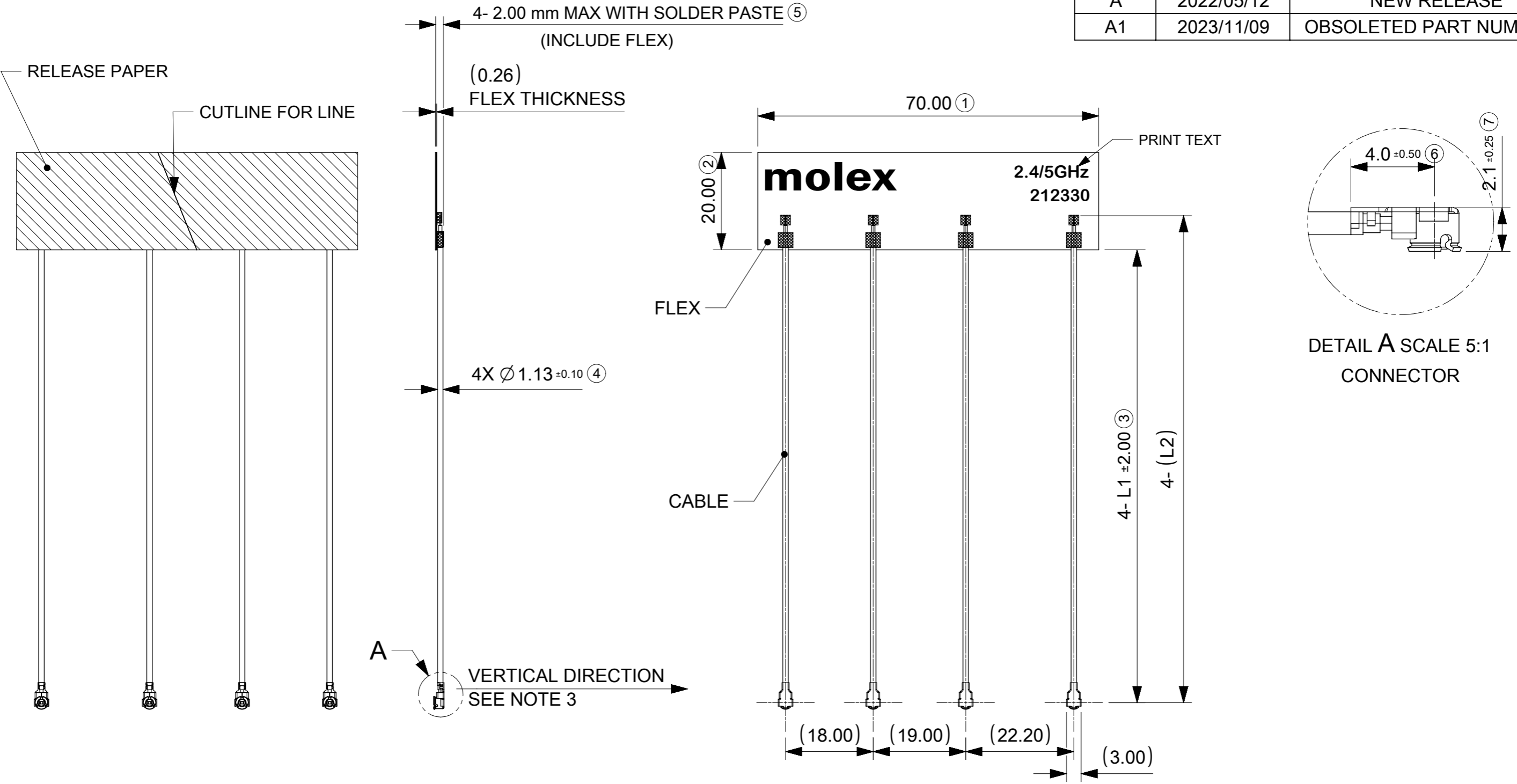


REV	DATE	DESCRIPTION
A	2022/05/12	NEW RELEASE
A1	2023/11/09	OBSOLETE PART NUMBERS



DETAIL A SCALE 5:1
CONNECTOR

- NOTES:
1. MATERIAL:
 FLEX SOLDER MASK BLACK IN COLOR.
 PRINT TEXT WHITE IN COLOR.
 CABLE: $\varnothing 1.13$ MM, BLACK IN COLOR.
 CONNECTOR: MHF-1 PLUG AU TYPE (P/N: 20278-112R-13).
 ADHESIVE: 3M9077. THICKNESS: 50UM.
 2. THE CONNECTOR WILL BE PROTECTED WITH A CAP.
 3. FOR PULL TEST, CAN NOT LIFT UP IN THE VERTICAL DIRECTION.
 4. APPLICATION SPEC PLEASE REFER TO AS OF AS-2123300100.
 5. PRODUCT SPEC PLEASE REFER TO PS OF PS-2123309100.

ITEM	MATERIAL NO.	CABLE LENGTH "L1"	CABLE LENGTH "L2"
1	2123309100	93mm	100mm

THIS DRAWING CONTAINS INFORMATION THAT IS PROPRIETARY TO MOLEX ELECTRONIC TECHNOLOGIES, LLC AND SHOULD NOT BE USED WITHOUT WRITTEN PERMISSION

DIMENSION UNITS	SCALE	CURRENT REV DESC: REMOVED OBSOLETE PART NUMBERS AS PER PCN#514494	
mm	1:1	molex	
GENERAL TOLERANCES (UNLESS SPECIFIED)			
ANGULAR TOL	± 2.0°	PRODUCT CUSTOMER DRAWING	
4 PLACES	±	EC NO: 770993	2023/11/09
3 PLACES	± 0.2	DRWN: VISHAH2	2023/12/25
2 PLACES	± 0.25	CHK'D: GGA	2023/12/25
1 PLACE	± 0.3	APPR: GGA	
0 PLACES	± 0.5	INITIAL REVISION:	
DRAFT WHERE APPLICABLE MUST REMAIN WITHIN DIMENSIONS		DRWN: KCHENG06	2022/05/12
THIRD ANGLE PROJECTION		APPR: HORACM1	2022/05/13
DRAWING	SERIES	DOCUMENT NUMBER	DOC TYPE
A3-SIZE	212330	2123309100	PSD
MATERIAL NUMBER	CUSTOMER	DOC PART	REVISION
SEE TABLE	GENERAL MARKET	000	A1
SHEET NUMBER		1 OF 1	