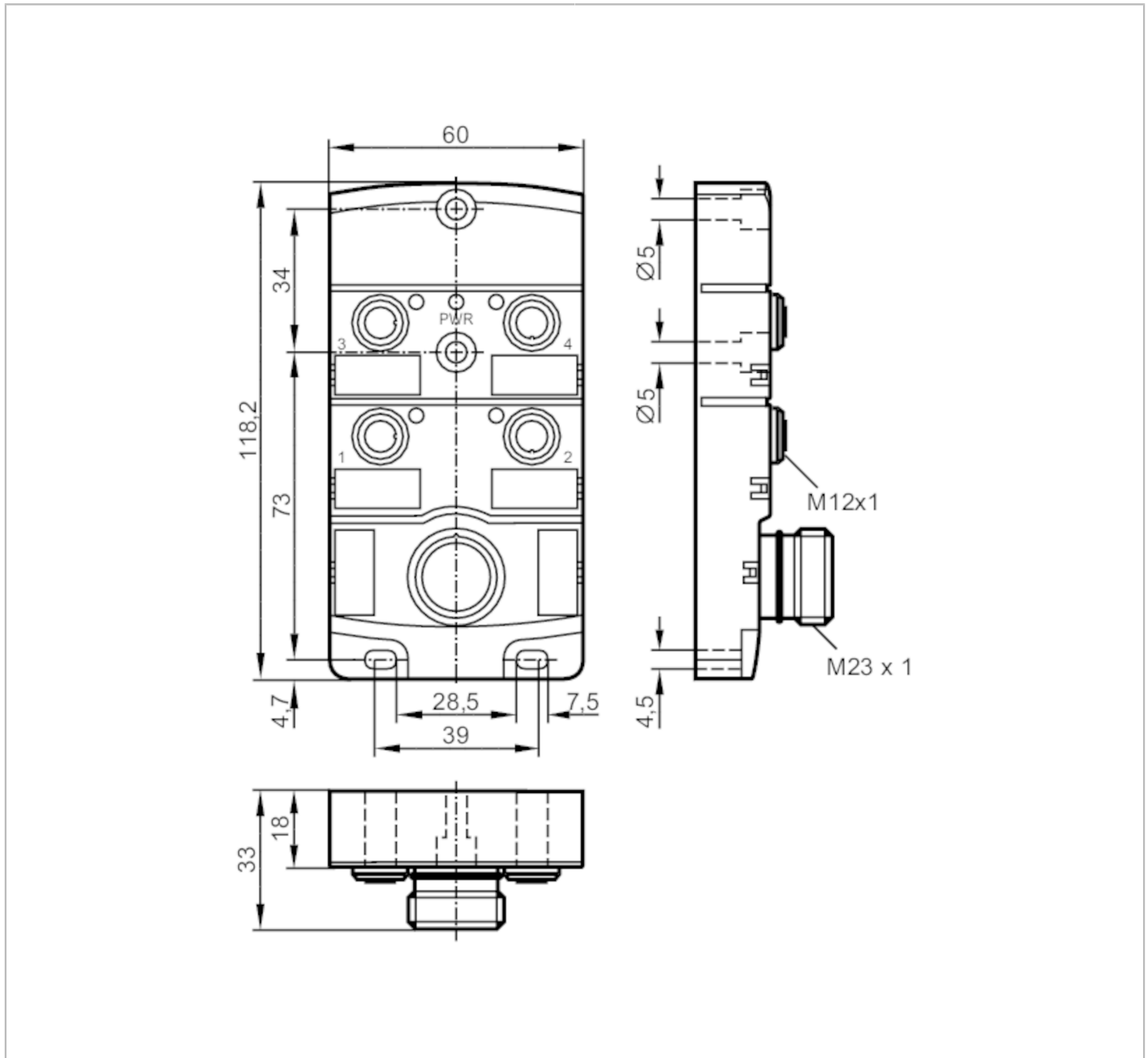


EBC002



Splitter box

ZDO4H055MSS0000-00STAK120MSS



Application	
Special feature	Free from silicone; Gold-plated contacts
Free from silicone	yes
Electrical data	
Operating voltage [V]	10...30 DC; ("supply class 2" to cULus)
Max. current load per module/slot [A]	4
Max. current load total [A]	10
Outputs	
Electrical design	PNP



Splitter box

ZDO4H055MSS0000-00STAK120MSS

Operating conditions

Ambient temperature	[°C]	-25...80
Protection		IP 67

Tests / approvals

UL approval	Enclosure type	Type 1
-------------	----------------	--------

Mechanical data

Weight	[g]	224.5
Dimensions	[mm]	33 x 60 x 118.2
Materials		PA
Moulded-body material		PA
Number of ports splitter box		4
Connector type		M12

Displays / operating elements

Display	switching status	4 x LED, yellow
	operation	1 x LED, green

Accessories

Items supplied	Protective caps: 2 labels: 4
----------------	---------------------------------

Remarks

Pack quantity	1 pcs.
---------------	--------

Electrical connection - Connection

Connector: 1 x M23; Moulded body: PA; Contacts: gold-plated; Tightening torque: 0.8...1.5 Nm

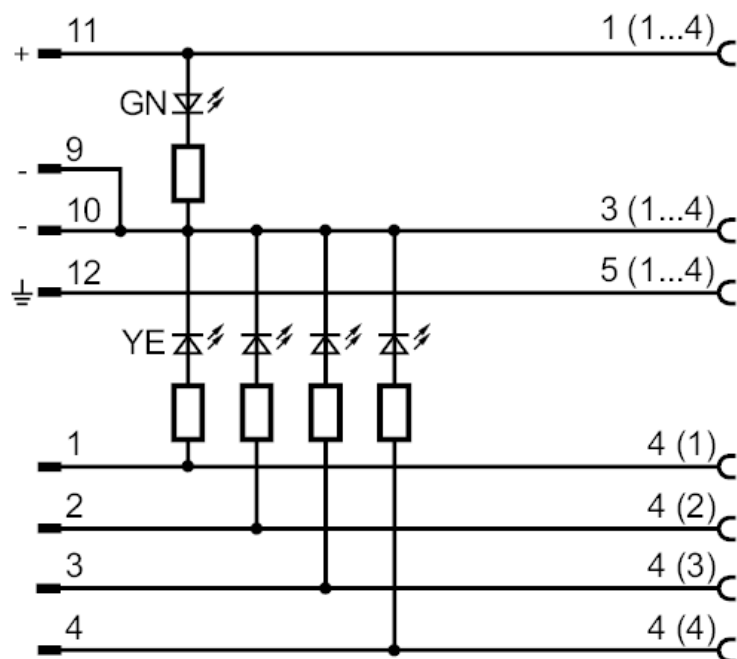




Splitter box

ZDO4H055MSS0000-00STAK120MSS

Connection



Electrical connection - slot

Connector: 4 x M12; coding: A; Moulded body: PA; Contacts: gold-plated; Tightening torque: 0.8...1.5 Nm

