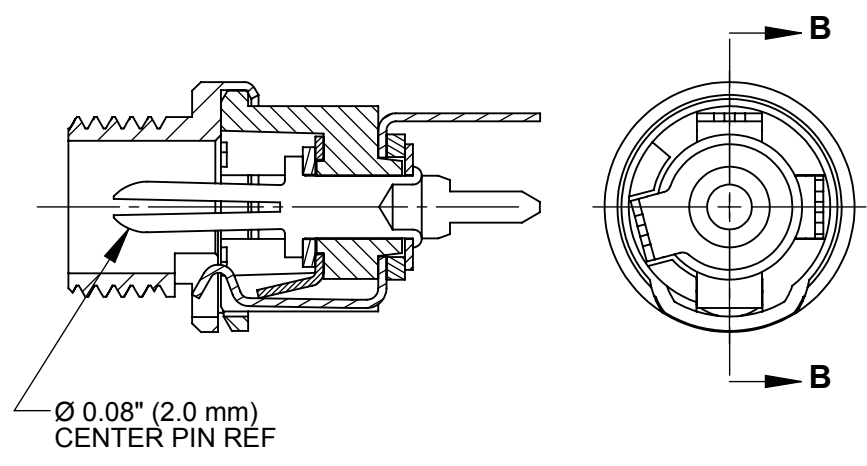
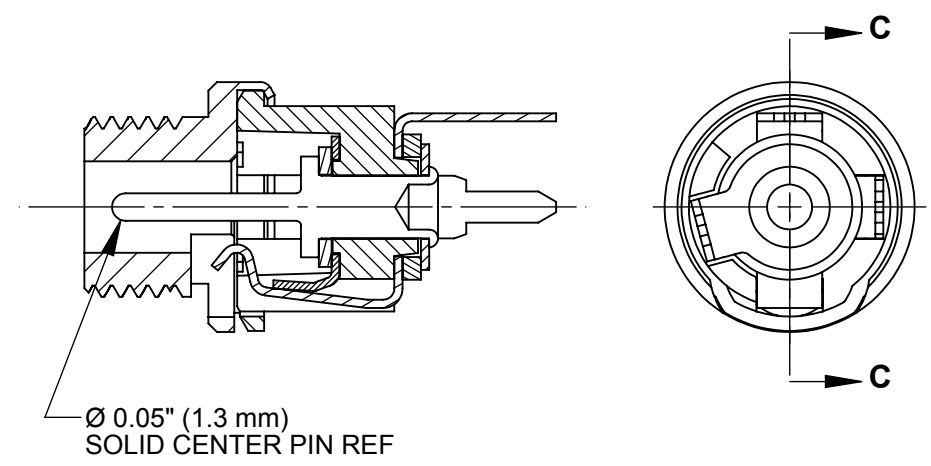


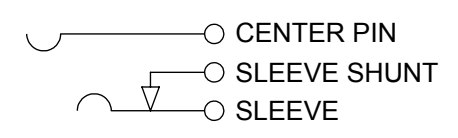
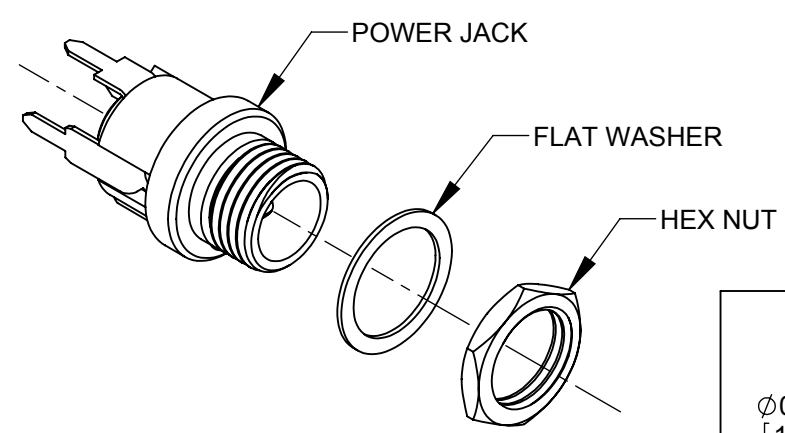
**PC712AH**



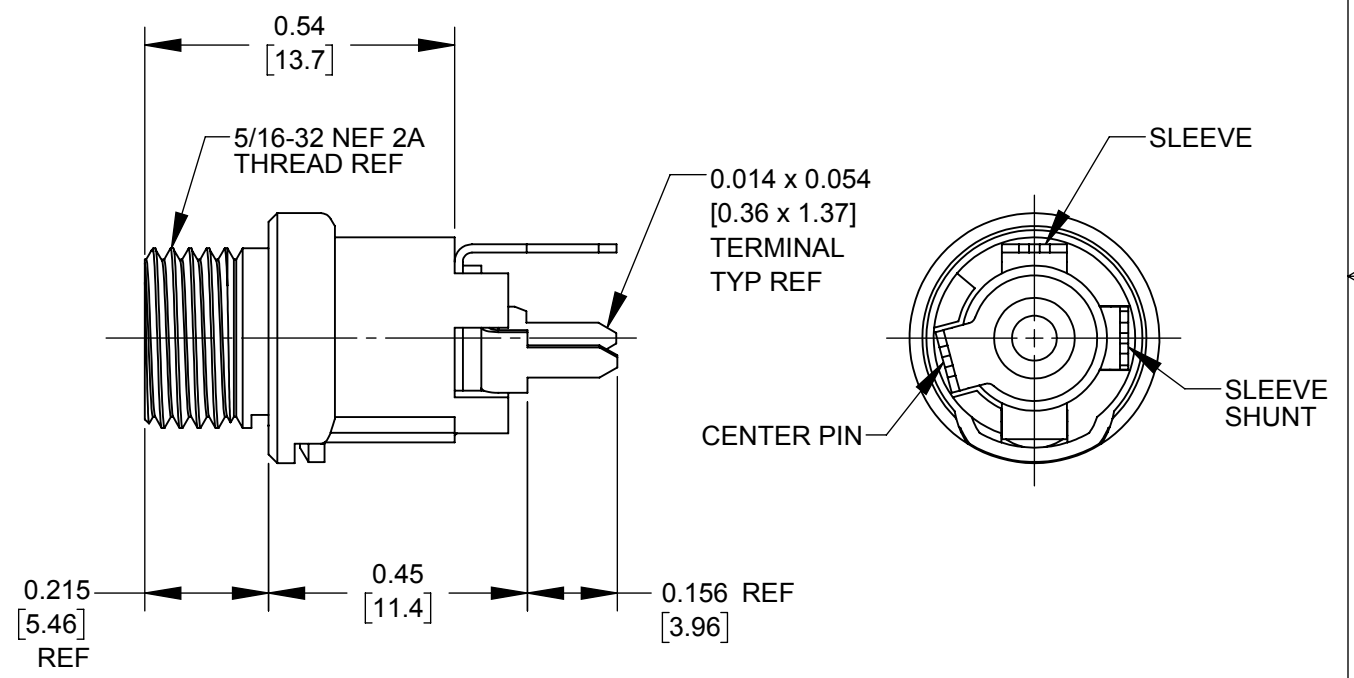
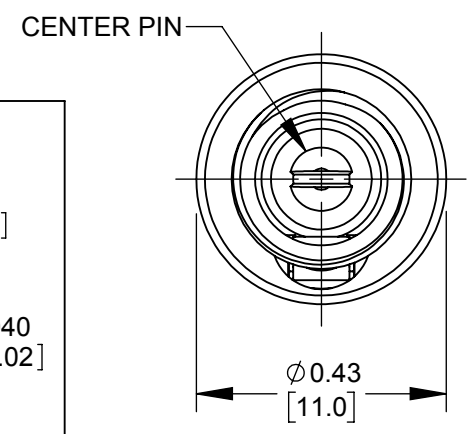
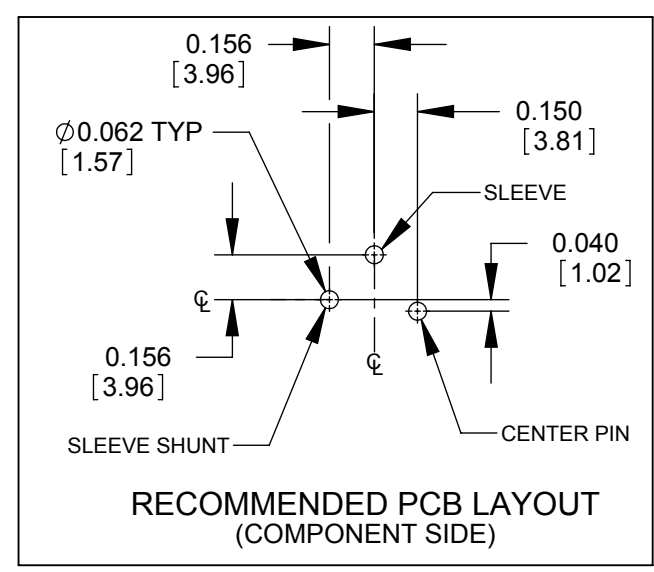
**PC722AH**



**PC732AH**



**SCHEMATIC**



**CUSTOMER DRAWING**

- NOTES:**
- DIMENSIONS SHOWN FOR REFERENCE ONLY.
  - HEX NUT AND FLAT WASHER SUPPLIED UNASSEMBLED.
  - MATERIAL:  
HOUSING, HEX NUT - COPPER ALLOY, NICKEL PLATED  
INSULATOR HOUSING - THERMOPLASTIC, BIEGE  
TERMINAL INSULATORS - PHENOLIC  
FLAT WASHER - STEEL, NICKEL PLATED  
PIN, SPRING, TERMINALS - COPPER ALLOY, SILVER PLATED
  - THESE PRODUCTS ARE RoHS COMPLIANT

REV	ECO NUMBER	DATE	BY	APVD
A	27941	09/06/17	PC	TJK
REVISIONS				

UNLESS OTHERWISE SPECIFIED

- ALL DIMENSIONS IN INCHES [mm]  
- TWO PLACE DECIMALS ±0.02 [0.5]  
- THREE PLACE DECIMALS ±0.005 [0.13]

**DO NOT SCALE DRAWING**

THIS DRAWING DESCRIBES A DESIGN CONSIDERED PROPRIETARY IN NATURE, DEVELOPED AND MANUFACTURED BY SWITCHCRAFT INC. AND IS RELEASED ON A CONFIDENTIAL BASIS FOR IDENTIFICATION PURPOSES ONLY.									
SIZE	WIDTH	MULT	LBS/M	TEMPER					
FINISH					MATERIAL				
SPEC No.					SPEC No.				
FIRST USED ON					SCALE				
					3:1				
DATE DRAWN	BY	CHKD	APVD						
6/27/16	PNK	PNK	SRC						
			6/27/16			6/27/16			
NAME					PART No.				
HT POWER JACKS					PC712AH PC722AH PC732AH				
PC7_2AH SERIES, RoHS					REV				
					A				



**SolidWorks CAD File**