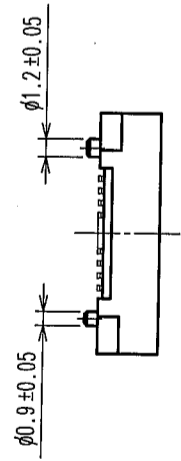
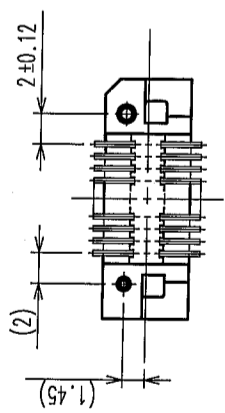
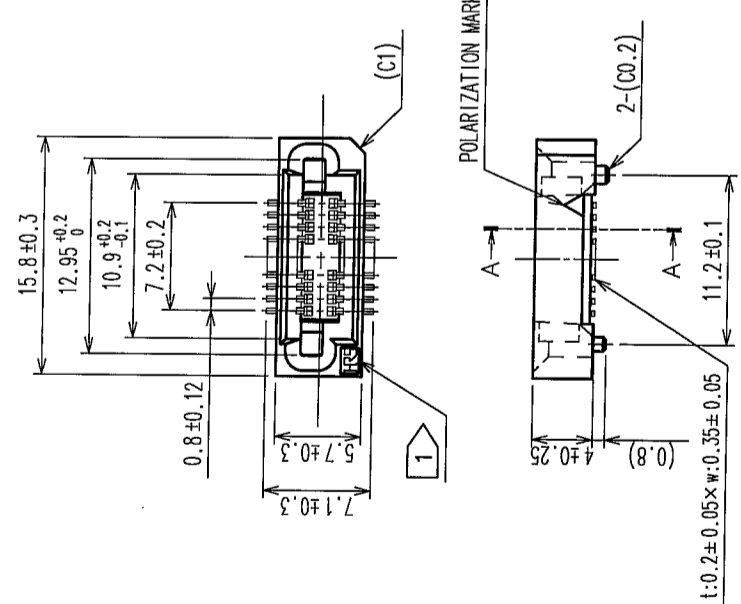
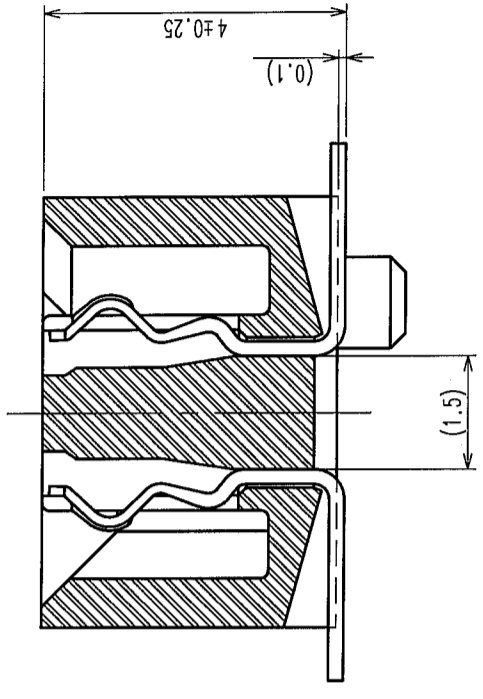
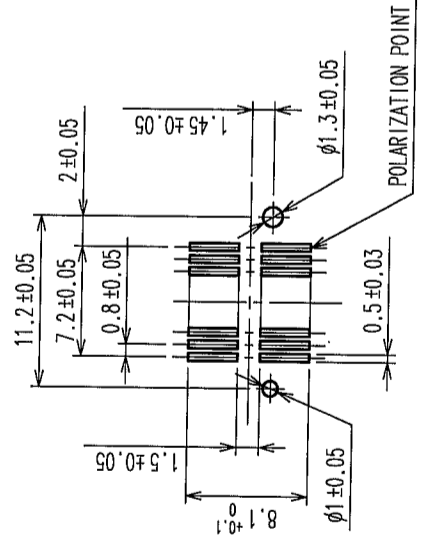


COUNT	DESCRIPTION OF REVISIONS	BY	CHKD	DATE	COUNT	DESCRIPTION OF REVISIONS	BY	CHKD	DATE
△									
△									
△									

A-A (10:1)



RECOMMENDED P.C.B LAND PATTERN (MOUNT SIDE)



- NOTE
- 1 HRS MARK SHALL BE OPTIONAL.
  - 2 LEAD CO-PLANARITY SHALL BE 0.1mm MAX.
  - 3 THE DIMENSIONS IN PARENTHESES ARE FOR REFERENCE.
  - 4 EMBOSSED CARRIER PACKAGING IS APPLIED TO THIS PRODUCT.
  - 5 THIS PRODUCT HAS TAPE FOR VACUUM PICKUP.
  - 6 SEE NEXT PAGE FOR DETAIL OF STICKING POSITION, ETC.
  - 7 FOR MODIFICATION, ETC., PREVENTIVE HOLE FOR SINK MARK MAY BE ADDED ACCORDING TO CIRCUMSTANCES.

NO.	MATERIAL	FINISH, REMARKS	NO.	MATERIAL	FINISH, REMARKS
1	POLYPHENYLENE SULFIDE	LIGHT BRWON (UL94V-0)	2	PHOSPHOR BRONZE	
CODE NO. (OLD)			CONTACT AREA: GOLD 0.1μm min.		
DRAWN		T. YANAGISAWA	LEAD AREA: TIN-PLATING 1μm min.		
DESIGNED		J. Noda	UNDER PLATING: NICKEL 2μm min.		
CHECKED		K. Oyamane	FINISH, REMARKS		
APPROVED		H. Okawa	APPROVED		
RELEASED			RELEASED		
DRAWING NO.		EDC3-084977-23	PART NO.		FX6-20S-0.8SV(93)
SCALE		2:1	CODE NO.		CL576-0101-8-93
UNITS		mm	HIROSE ELECTRIC CO., LTD		

TO	
PCK	

