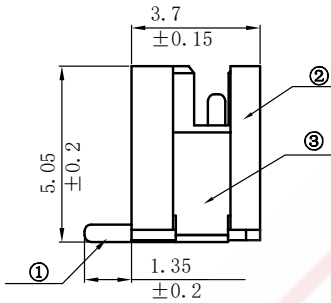
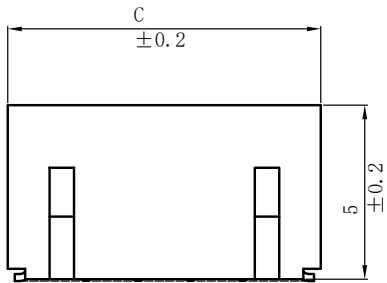
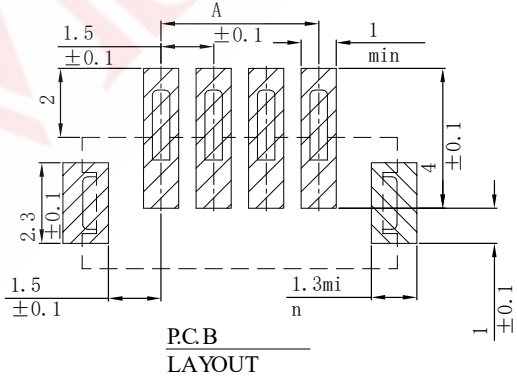
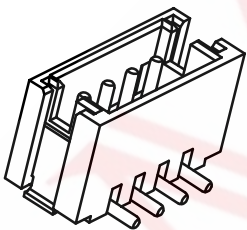
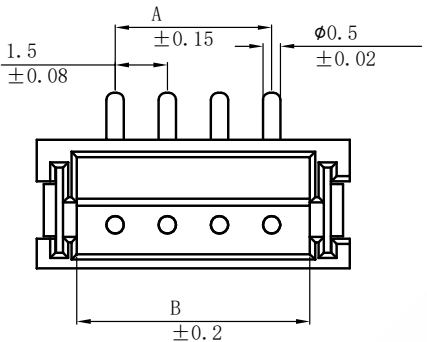


1 SAMZO 2 REAC/ROHS

REV	ECN NO	DESCRIPTION	DESIGN	APPROVAL	DATE
A1	NEW	Replace frame			2013.06.21

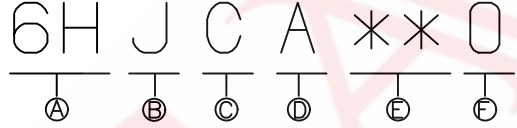


- ◆ SPECIFICATIONS
- Current rating: 1A AC, DC
 - Voltage rating: 50V AC, DC
 - Temperature range: -25°C ~ +85°C
 - Insulation resistance: 100MΩ Min.
 - Withstanding voltage: 200V AC/ minute.
 - Contact resistance: 20mΩ Max.

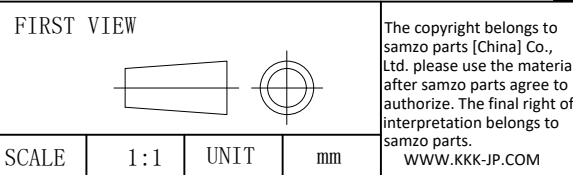


PIN	A- (mm)	B- (mm)	C- (mm)
2P-LT	1.50	3.60	6.00
3P-LT	3.00	5.10	7.50
4P-LT	4.50	6.60	9.00
5P-LT	6.00	8.10	10.50
6P-LT	7.50	9.60	12.00
7P-LT	9.00	11.10	13.50
8P-LT	10.50	12.60	15.00
9P-LT	12.00	14.10	16.50
10P-LT	13.50	15.60	18.00
11P-LT	15.00	17.10	19.50
12P-LT	16.50	18.60	21.00
13P-LT	18.00	20.10	22.50
14P-LT	19.50	21.60	24.00
15P-LT	21.00	23.10	25.50
16P-LT	22.50	24.60	27.00

A. SERISE: 6H-ZH
 B. SPACING: J-1.5mm
 C. MOUNTING: C-LT
 D. STANDARD: A-WAFER
 E: PIN: 02-2P (02-16P)
 F: CODE: 0-REGULAR



ITEM	DESCRIPTION	MATERIAL	QTY	FINISH/COLOR					
1	针脚	磷铜	N	高温亮锡					
2	主体	LCP	1	XXX	GENERAL TOLERANCE				
2	焊片	磷铜	1	高温亮锡	DESIGN	WANGGUIFA	2018.06.12	≥0~2<	±0.15
					CHECKED	ZHENGUILAN	2018.06.12	≥0~2<	±0.15
					APPROVED	LILIANJIANG	2018.06.14	≥5	±0.35



The copyright belongs to samzo parts [China] Co., Ltd. please use the material after samzo parts agree to authorize. The final right of interpretation belongs to samzo parts. WWW.KKK-JP.COM

TITLE: ZH1.5-NP-LT
DWG NO: 6H-P10
PART NO: 6H-1501
MODEL NO: 6HJCA**-0
NAME: WAFER CONNECTOR

SAMZO COMPONENTS
 Electronic switch and connector manufacturer

Grid labels: 1, 2, 3, 4, 5, 6, 7, 8 (columns); E, D, C, B, A (rows)