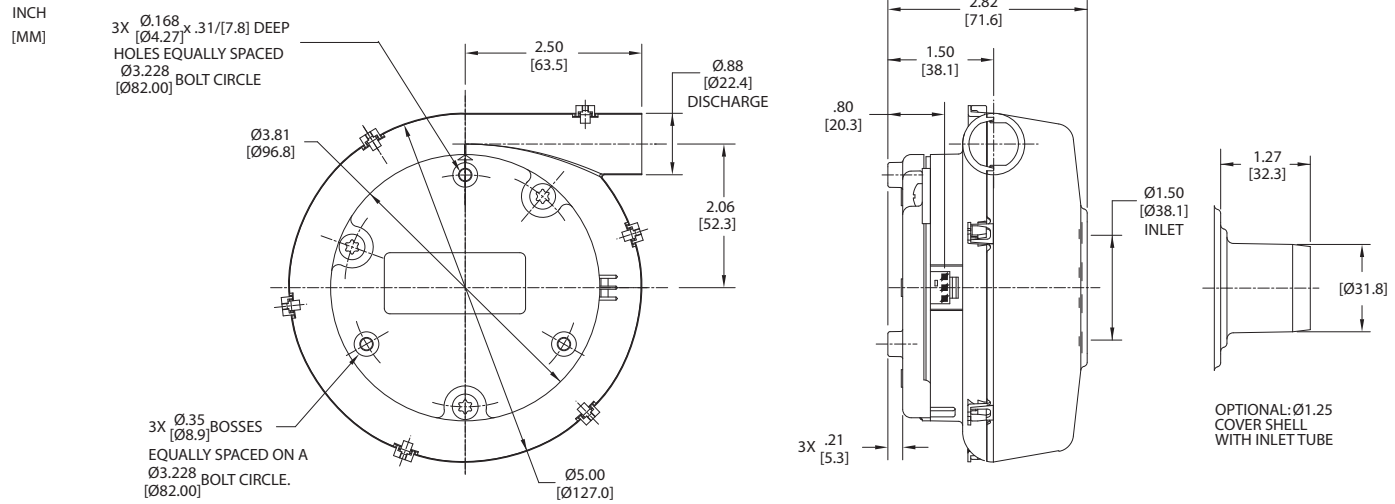


Low Voltage Brushless DC Blowers

5.0" (127mm) BLDC Low-Voltage Blower

12/24 VDC, High Flow System



Specification	Units	Part/ Model Number			
		150166	119375	119378	119379
Voltage	VDC	12	24	24	24
Stages	-	1	1	1	1
Max. Sealed Pressure	in. H2O	20.1	24.9	24.9	24.9
	mbar	50.1	62	62	62
Max Open Flow Rate	CFM	37.7	44.6	44.6	44.6
	m3/hr	64.1	75.8	75.8	75.8
Speed Control	-	0-4V Spd. Cmd.	External	Potent. Adjust.	0-4V Spd. Cmd.

Notes:

- **Temperature:** Working Air: 0°C to 45°C, Ambient Air: 0°C to 45°C, Storage: -40°C to 85°C.
- Customized performance available upon request. Please contact AMETEK Technical & Industrial Products' Marketing and Sales Department.
- When used as a vacuum, the blower performance might be less than shown herein, depending on the operating point.
- Models 119380 through 119385 can be configured and modified for two (2) plane balance option.
- **Optional** - cover shell with air inlet tube.
- **Weight** = 1.2 lb / .54 Kg

Potentiometer Adjustment (Potent. Adjust.) - The specified supply voltage is applied to power the blower and the speed is set by adjusting a potentiometer on the side of the blower.

0-4V Speed Command (0-4V Spd. Cmd.) - Blower speed is proportional to a 0-4V command signal. Maximum speed is reached at 4V or less depending on the blower's operating point. The speed command pin may be connected to the blower's 12V or 24V pin to ensure full speed.

External Control - Designed to operate with an external controller such as AMETEK's model 48133.

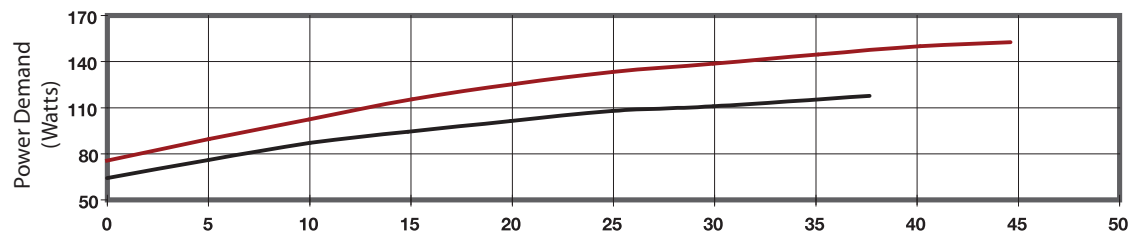
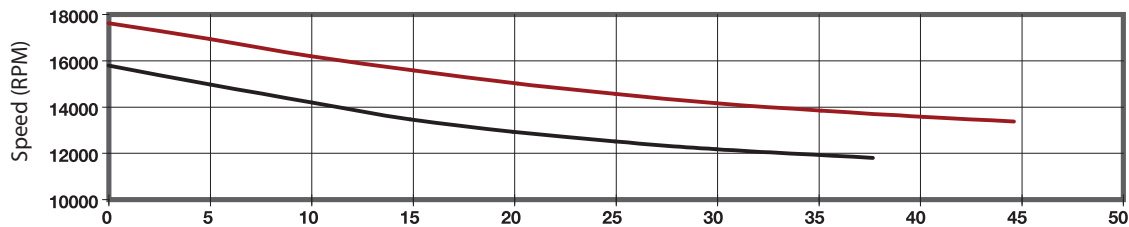
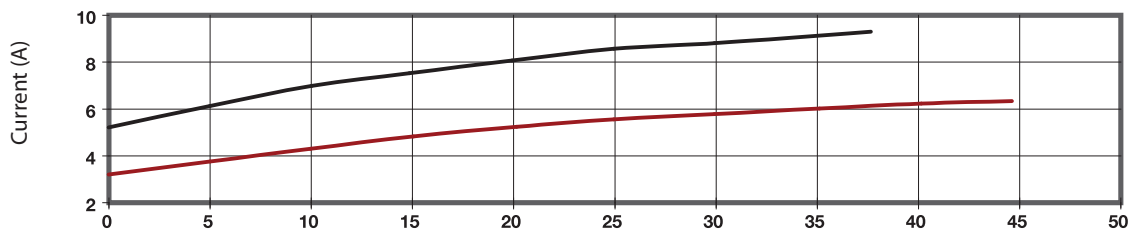
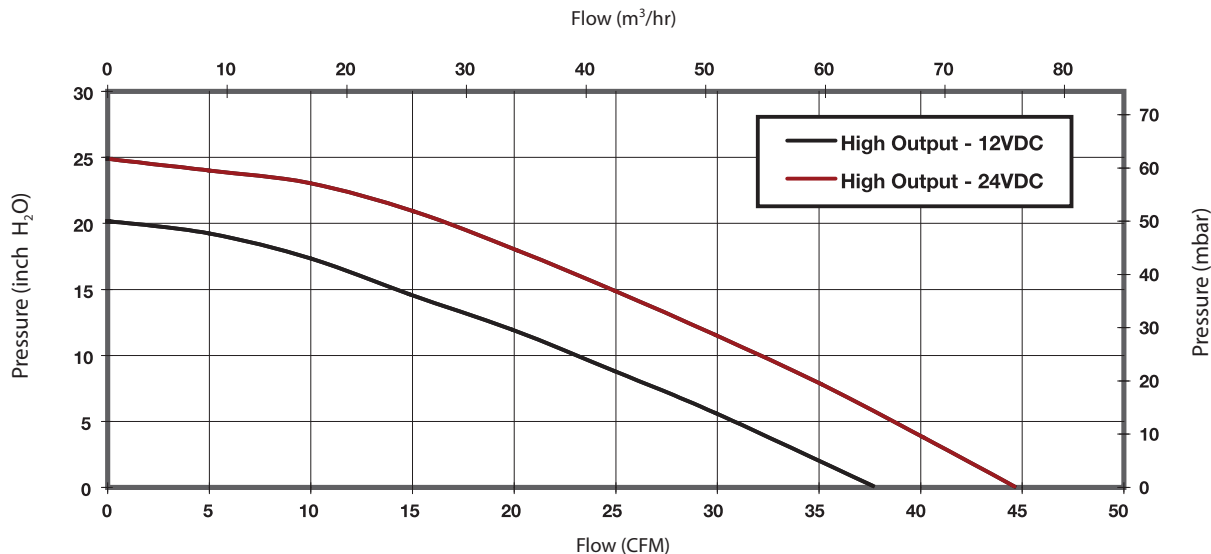
This document is for informational purposes only and should not be considered as a binding description of the products or their performance in all applications. The performance data on this page depicts typical performance under controlled laboratory conditions. AMETEK is not responsible for blowers driven beyond factory specified speed, temperature, pressure, flow or without proper alignment. Actual performance will vary depending on the operating environment and application. AMETEK products are not designed for and should not be used in medical life support applications. AMETEK reserves the right to revise its products without notification. The above characteristics represent standard products. For product designed to meet specific applications, contact AMETEK Technical & Industrial Products Sales department.

Low Voltage Brushless DC Blowers

5.0" (127mm) BLDC Low-Voltage Blower

12/24 VDC, High Flow System

Typical Performance



Data presented represents blower performance at STANDARD AIR DENSITY, .075 lb/ft³ (29.92" Hg, Sea Level, 68° F)
 Vacuum performance available upon request.

This document is for informational purposes only and should not be considered as a binding description of the products or their performance in all applications. The performance data on this page depicts typical performance under controlled laboratory conditions. AMETEK is not responsible for blowers driven beyond factory specified speed, temperature, pressure, flow or without proper alignment. Actual performance will vary depending on the operating environment and application. AMETEK products are not designed for and should not be used in medical life support applications. AMETEK reserves the right to revise its products without notification. The above characteristics represent standard products. For product designed to meet specific applications, contact AMETEK Technical & Industrial Products Sales department.