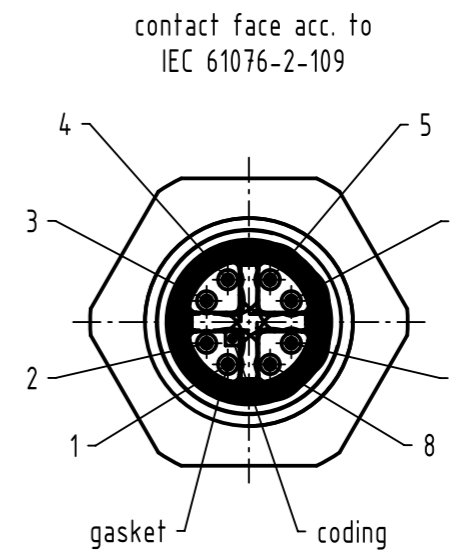
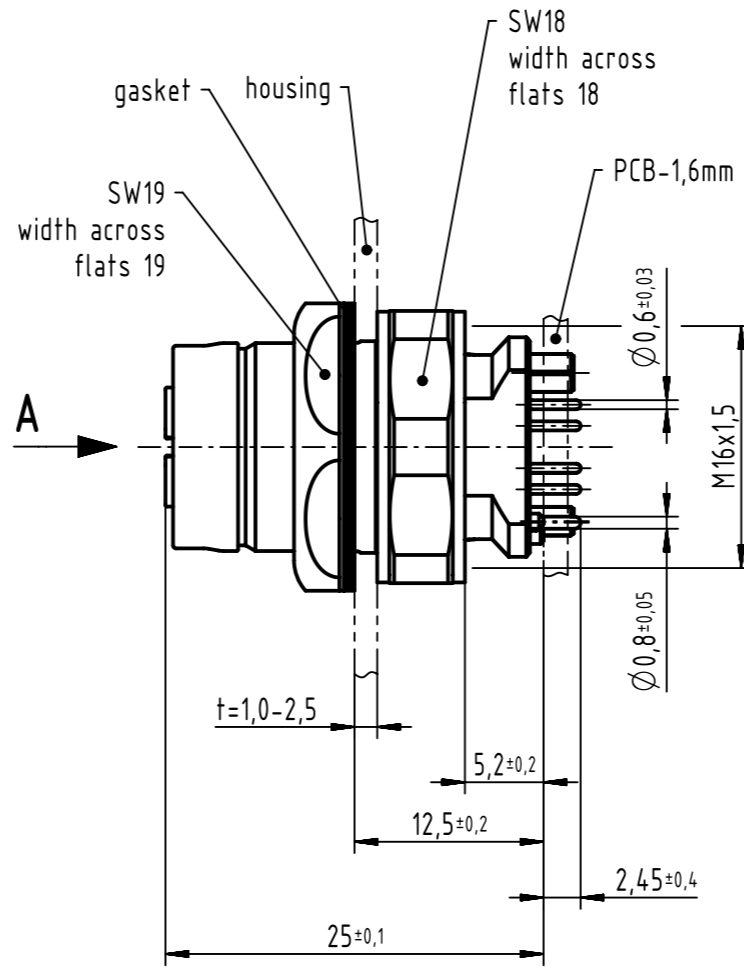
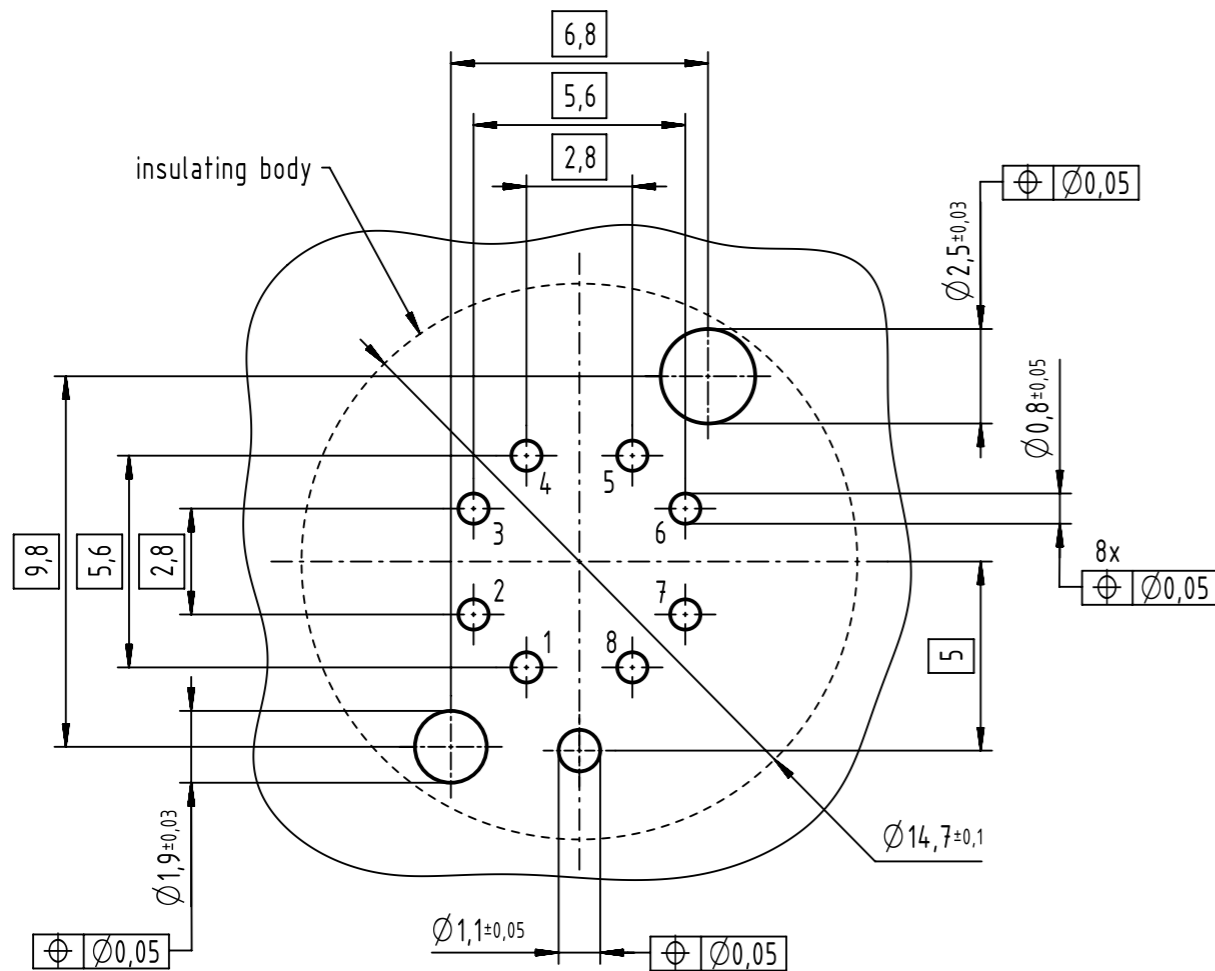
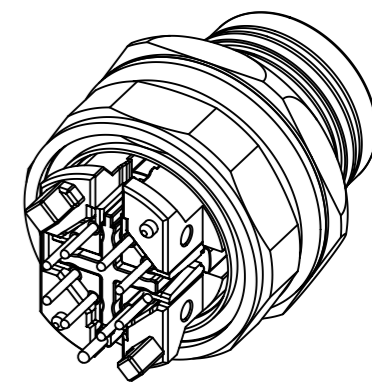
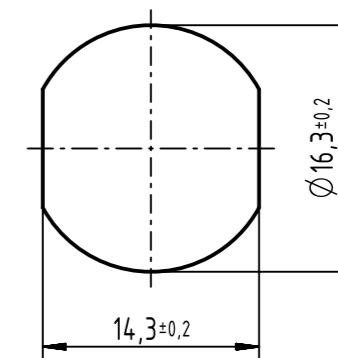


A (5:1)
recommended PCB-layout



panel cut out



pin assignment		
pin	Signal	pair
1	TD1+	2
2	RD1-	2
3	TD2+	3
4	RD2-	3
5	TD4+	4
6	RD4-	4
7	RD3-	1
8	TD3+	1

- 500 mating cycles acc. to IEC 60512-9-1
- design for reflow soldering
- 1 pcs. single package

	All rights reserved		Scale 2:1	Free size tol.	Ref.
	Department EC PD - DE		Created by HELLMANN	Inspected by EISFELD	Standardisation HOFFMANN
HARTING Electronics GmbH		Title har-speed M12 PCB Cat6A receptacle straight front			Doc-Key / ECM-Nr. 100230885/UGD/003/C 500000103900
D-32339 Espelkamp		Type TB	Number 21033812813		Rev. C Page 1/1