

PCN-124D3MHZ,001B ✓ ACTIVE



OEG | OEG Slimline PCB Relay PCN

TE Internal #: 7-1461491-6

General Purpose Power Relay, Monostable, .01 VA Coil Power Rating AC, .12 W Coil, 4800 ohm Coil Resistance, OEG Slimline PCB Relay PCN, Power Relays

[View on TE.com >](#)

Relays & Contactors > Relays > Power Relays > Slim PCB Relay PCN 3A/5A, 24VDC



Relay Type: **General Purpose Power Relay**

Coil Magnetic System: **Monostable**

Coil Power Rating AC: **.01 VA**

Coil Power Rating DC: **.12 W**

Coil Resistance: **4800 Ω**

[All Slim PCB Relay PCN 3A/5A, 24VDC \(3\)](#)

Features

Product Type Features

Relay Type	General Purpose Power Relay
------------	-----------------------------

Configuration Features

Contact Special Features	Bifurcated/Twin Contacts
Coil Special Features	UL Coil Insulation Class F
Contact Arrangement	1 Form A SPST-NO
Contact Number of Poles	1

Electrical Characteristics

Coil Current	.005 A
Insulation Initial Dielectric Between Open Contacts	750 Vrms
Contact Limiting Short-Time Current	3 A
Insulation Initial Dielectric Between Adjacent Contacts	750 Vrms
Insulation Initial Resistance	1000 MΩ



Contact Limiting Making Current	3 A
Contact Limiting Continuous Current	3 A
Insulation Initial Dielectric Between Contacts & Coil	3000 Vrms
Contact Limiting Breaking Current	3 A
Coil Power Rating AC	.01 VA
Coil Power Rating DC	.12 W
Coil Resistance	4800 Ω
Coil Voltage Rating	24 VDC
Contact Current Rating	3 A
Contact Switching Load (Min)	100mA @ 5V
Contact Switching Voltage (Max)	125 VDC
Contact Voltage Rating	30 VDC

Body Features

Enclosure Type	Sealed
Primary Product Color	White
Product Weight	3 g[.1058 oz]

Contact Features

Contact Plating Material	Gold
Contact Material	AgNi

Termination Features

Relay Connection Type	PCB Termination
Terminal Configuration	Solder Pins

Mechanical Attachment

Product Mount Type	Printed Circuit Board
--------------------	-----------------------

Dimensions

Insulation Clearance Between Contact & Coil	3.5 mm[.138 in]
Insulation Creepage Between Contact & Coil	3.5 mm[.138 in]
Product Width	5 mm[.196 in]
Product Length	20 mm[.787 in]
Product Height	12.5 mm[.492 in]

Usage Conditions

Environmental Category of Protection	RTIII
--------------------------------------	-------



Environmental Ambient Temperature (Max)	85 °C[185 °F]
Operating Temperature Range	-40 – 85 °C[-40 – 185 °F]

Operation/Application

Current Type	DC
Solder Process	Wave Solder
Shock Resistance	100G's, 11ms
Coil Magnetic System	Monostable

Packaging Features

Packaging Method	Tray
------------------	------

Other

Length Class (Mechanical)	16 – 20 mm
Height Class (Mechanical)	12 – 13 mm
Coil Power Rating Class	.1 – .15 W
Environmental Ambient Temperature Class	70 – 85 °C
Width Class (Mechanical)	0 – 6 mm
Contact Current Class	16 A

Product Compliance

[For compliance documentation, visit the product page on TE.com>](#)

EU RoHS Directive 2011/65/EU	Compliant
EU ELV Directive 2000/53/EC	Compliant
China RoHS 2 Directive MIIT Order No 32, 2016	No Restricted Materials Above Threshold
EU REACH Regulation (EC) No. 1907/2006	Current ECHA Candidate List: JUNE 2024 (241) Candidate List Declared Against: JUNE 2024 (241) Does not contain REACH SVHC
Halogen Content	Low Halogen - Br, Cl, F, I < 900 ppm per homogenous material. Also BFR/CFR/PVC Free
Solder Process Capability	Wave solder capable to 265°C

Product Compliance Disclaimer

This information is provided based on reasonable inquiry of our suppliers and represents our current actual knowledge based on the information they provided. This information is subject to change. The part numbers that TE has identified as EU RoHS compliant have a maximum concentration of 0.1% by weight in homogenous materials for lead, hexavalent chromium, mercury, PBB, PBDE, DBP, BBP, DEHP, DIBP, and 0.01% for cadmium, or qualify for an exemption to these

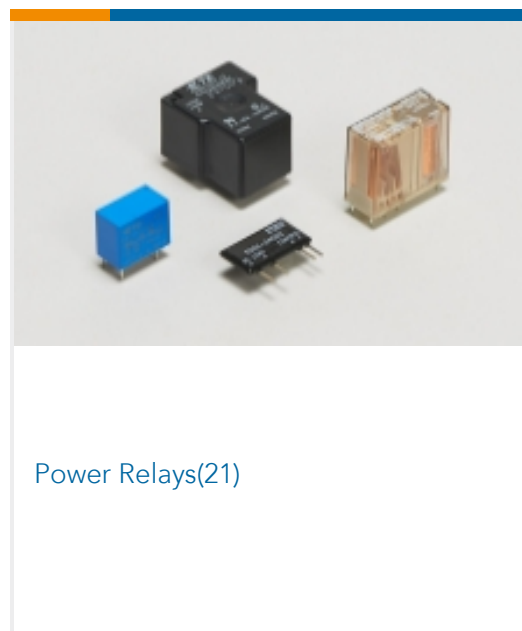


limits as defined in the Annexes of Directive 2011/65/EU (RoHS2). Finished electrical and electronic equipment products will be CE marked as required by Directive 2011/65/EU. Components may not be CE marked. Additionally, the part numbers that TE has identified as EU ELV compliant have a maximum concentration of 0.1% by weight in homogenous materials for lead, hexavalent chromium, and mercury, and 0.01% for cadmium, or qualify for an exemption to these limits as defined in the Annexes of Directive 2000/53/EC (ELV). Regarding the REACH Regulation, the information TE provides on SVHC in articles for this part number is based on the latest European Chemicals Agency (ECHA) 'Guidance on requirements for substances in articles' posted at this URL: <https://echa.europa.eu/guidance-documents/guidance-on-reach>

Compatible Parts

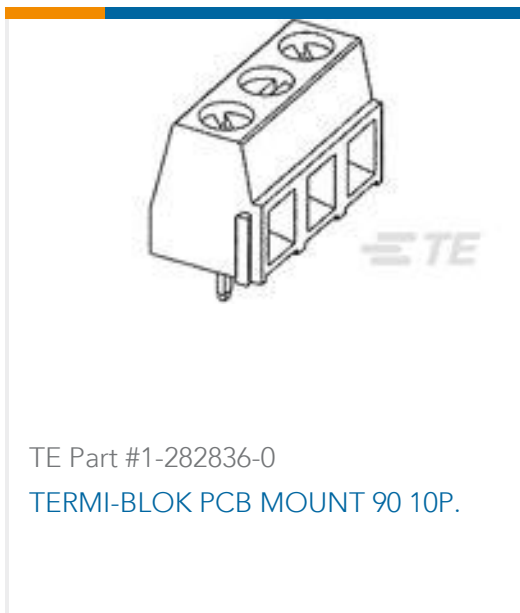


Also in the Series | OEG Slimline PCB Relay PCN



Customers Also Bought





TE Part #1-282836-0
TERMI-BLOK PCB MOUNT 90 10P.



TE Part #1624144-2
23E 47KA 6.35X50FL B7 CAT



TE Part #2-1623773-8
C10 4K7 5% (LOOSE)



TE Part #1437565-2
FSM100=12MM,TACTILE,PB SWITCH



TE Part #963040-1
2P JUN-TIMER GEH

Documents

CAD Files

Customer View Model

[ENG_CVM_CVM_7-1461491-6_L1.3d_igs.zip](#)

English

Customer View Model

[ENG_CVM_CVM_7-1461491-6_L1.3d_stp.zip](#)

English

Customer View Model

[ENG_CVM_CVM_7-1461491-6_L1.2d_dxf.zip](#)

English

3D PDF

3D

By downloading the CAD file I accept and agree to the [Terms and Conditions](#) of use.

Datasheets & Catalog Pages

[PCN Series Relay Data Sheet English](#)

English

Product Specifications

[PCN PACKAGE SPECIFICATION](#)

English

[Definitions General Purpose Relays](#)

English

Agency Approvals

[VDE Certificate](#)

English

PCN-124D3MHZ,001B

General Purpose Power Relay, Monostable, .01 VA Coil Power Rating AC, .12 W Coil, 4800 ohm Coil Resistance, OEG Slimline PCB Relay PCN, Power Relays

