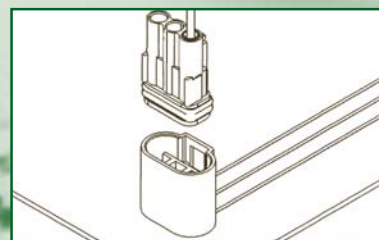
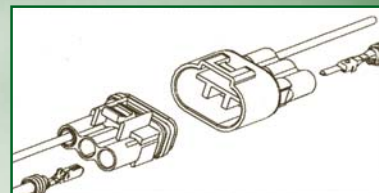
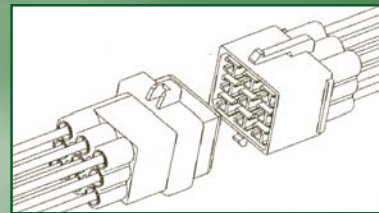
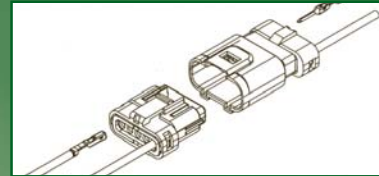
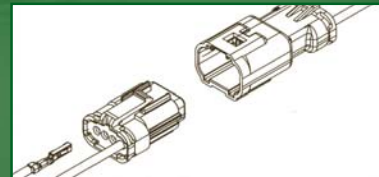




Water-Proof Connectors



Edac's waterproof Wire-to-Wire and Wire-to-Board series was designed for both extreme moisture and non-submersion applications supporting both low-level signal and power applications up to 12 amps and 300 volts.

Major applications include automotive, commercial and recreational vehicles, outdoor lighting, appliances, marine & aftermarket products, solar power installations, industrial equipment, process control, construction equipment, outdoor broadcast systems and portable devices.

Edac's waterproof series comes in pitch sizes ranging from 2.0mm to 5.08mm and feature silicone rubber gaskets either pre-installed in all-in-one plugs and receptacle housings or loose and available in a range of sizes to accommodate wire from 28 - 14 AWG with either thin or standard wire insulation. Operating temperature range across the whole series of -40° to +105° C.

Some of the unique features of Edac's waterproof series include integral locking tabs designed to prevent accidental disengagements, keying system to prevent miss-mating, circuit sizes from 1 to 9 positions and visual confirmation of proper sealing.

Application tooling available includes hand tools for prototype and small builds to fully automated presses and applicators for high production applications. Edac also offers the whole series in custom cables already fully assembled.

Features and Benefits

- Pre assembled housings, seals and Terminal Position Assurance (TPA) components
- Simple crimp, poke and plug application
- Integral two way, mate and interface seals designed and tested to IP67 and SAE USCAR-2*
- Easy terminal extraction and insertion
- Compatible with a wide range of UL (28 to 14 AWG) and SAE Automotive (28 to 14) style wires
- Integral locking latch with secondary connector position assurance (CPA) option
- Applied cost savings
- No need to crimp individual wire seals for 565 and 566 Series
- Locks terminals into housings and prevents terminals from backing out
- More than just waterproof, a true sealed connector system tested under submerged conditions
- Quick, low cost field repairs
- Support a wide range of power and signal applications
- Assures positive mating of connector and prevents accidental disengagement during high vibration and severe shock application

Applications

| | | | |
|---------------------------|-----------------------------|----------------------------|----------------------------------|
| Lighting | Industrial Pumps | Welding Equipment | Sound / Broadcast Systems |
| Process Equipment | Marine | Traffic Management | Liquid Monitoring Meters |
| Portable Equipment | Test Equipment | Recreation Vehicles | Construction Equipment |
| Emergency Vehicles | Industrial Equipment | Automotive | Appliances |

(* Except 567 Series - Tested to IP52 Splashproof)



Quick Reference Guide

| Series | Type | Amps | Pitch | Terminal | Page |
|--------|---------------|------|-----------|------------|------|
| 565 | Wire to Wire | 3 | 2.5mm | 565 Series | 4 |
| 565 | Wire to Board | 3 | 2.5mm | 565 Series | 4 |
| 566 | Wire to Wire | 2 | 2.0mm | 566 Series | 6 |
| 566 | Wire to Board | 2 | 2.0mm | 566 Series | 6 |
| 567 | Wire to Wire | 8 | 5.0x5.9mm | 570 Series | 8 |
| 570 | Wire to Wire | 10 | 5.8mm | 570 Series | 10 |
| 570 | Wire to Board | 10 | 5.8mm | 570 Series | 10 |
| 568 | Wire to Wire | 12 | N/A | 570 Series | 12 |
| Tools | | | | | 13 |

How to use this Catalogue

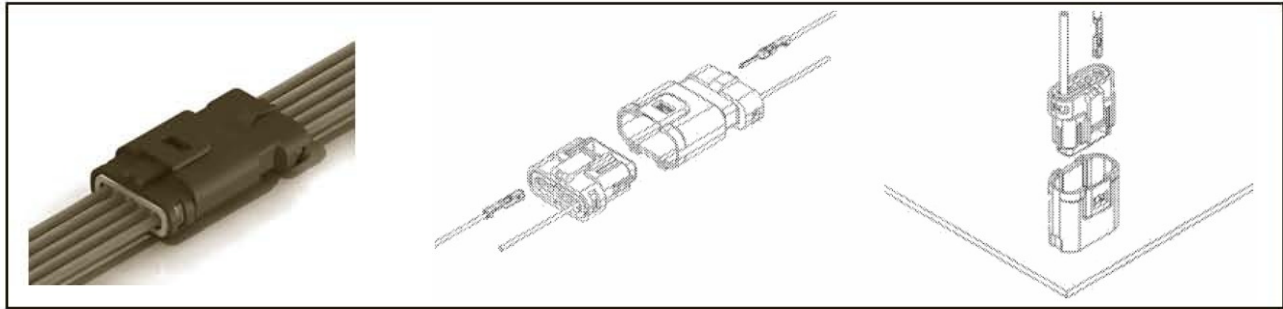
- Using the quick reference guide above, select the type of solution you need and proper current rating for your application and refer to the section of the catalogue with the series you've selected.
- Select the part with the appropriate number of contacts required for your application and the mating connector if required. (Quantities shown are standard pack quantities).
- If applicable, using the Wire Seal selection guide in the series section, select the seal required for the wire gauge to be used in the application.
- Terminals are supplied on the reel and in bulk. See specific series section for more information on available standard quantities.

Custom assemblies are available in all series directly from Edac manufactured to your specifications. Contact the factory or your local representative for more information.

Wire Gauge Cross Reference

| Gauge / A.W.G. | Sectional Area mm ² | Gauge / A.W.G. | Sectional Area mm ² |
|----------------|--------------------------------|----------------|--------------------------------|
| #10 | 5.2 | #24 | 0.21 |
| #12 | 3.3 | #26 | 0.13 |
| #14 | 2.0 | #28 | 0.08 |
| #16 | 1.31 | #30 | 0.05 |
| #18 | 0.83 | #32 | 0.03 |
| #20 | 0.52 | #34 | 0.02 |
| #22 | 0.33 | #36 | 0.01 |

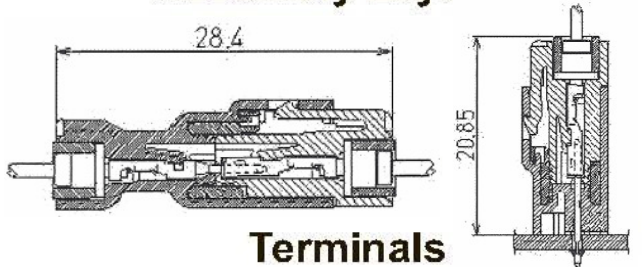
IP67 CERTIFIED



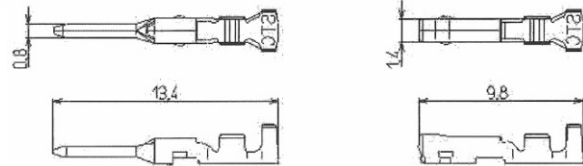
Features

- 2.5mm pitch, Rated current: 3A Max
- Fully Waterproof solution
- Available in wire-to-wire and wire-to-board (potable) options
- Seals preassembled into housing-no external sealing required
- True crimp and poke solution
- Available with wire already installed
- Waterproof caps available to cover unused holes

Assembly Layout



Terminals



565-290-711/731

565-290-721/741

Materials

| | |
|---------------------|---|
| Housing | PBT (UL94V-0) |
| Terminal | Phosphor Bronze/Tin Plating |
| PCB Header | PBT with glass (UL94V-0) Brass / Tin Plating |
| Wire • Housing Seal | Silicone Rubber |

Contact Edac for more information.

Specifications

| | | |
|----|-----------------------|------------------------|
| 1 | Circuits | 2,3,5P |
| 2 | Pitch | 2.5mm |
| 3 | Rated Voltage | 250V |
| 4 | Rated Current | 3A max. |
| 5 | Withstand Voltage | AC1000V r.m.s. |
| 6 | Contact Resistance | 15m Ω max. |
| 7 | Insulation Resistance | 1000M Ω min. /DC 500 V |
| 8 | Temperature Range | -40°C ~+ 105°C |
| 9 | Waterproof Grade | IP67 |
| 10 | PCB Thickness | 1.6mm |

| AWG #22 - 28 | | Ins. Dia. | Pcs/Reel |
|--------------|-------------|-----------|--------------|
| REC (F) | 565-290-721 | Ø1.60 max | 10,000 x 6 R |
| TAB (M) | 565-290-711 | | 8,000 x 5 R |
| AWG #20 - 22 | | Ins. Dia. | Pcs/Reel |
| REC (F) | 565-290-741 | Ø1.70 max | 8,000 x 6 R |
| TAB (M) | 565-290-731 | | 8,000 x 5 R |

Internal Wire Seal

| Ins. Dia. | Color | Applicable Terminal |
|---------------|--------|----------------------------|
| Ø 1.0 ~ 1.30 | Yellow | 565-290-711 565-290-721 |
| Ø 1.30 ~ 1.70 | Orange | 565-290-731 565-290-741 |

Waterproofing Cap

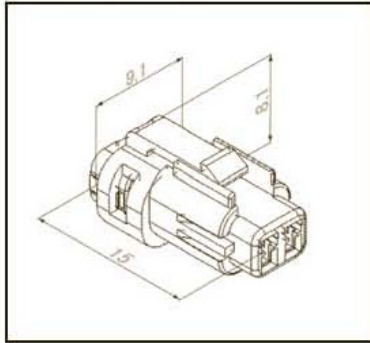
565-200-100

Female Housing

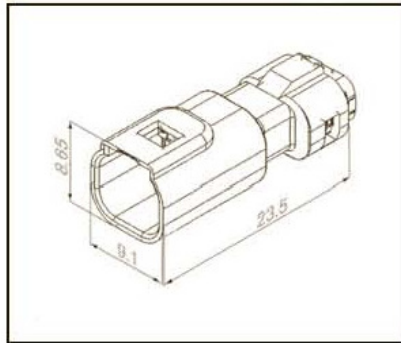
Male Housing

PCB Header

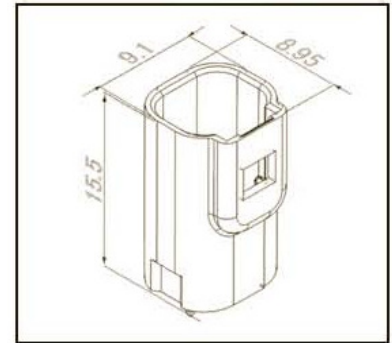
565-002-000-XXX



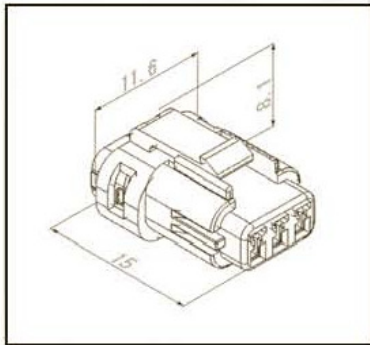
565-002-000-XXX



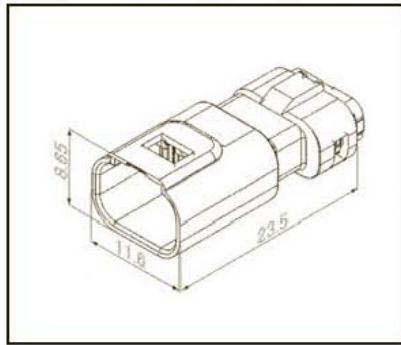
565-002-420-101



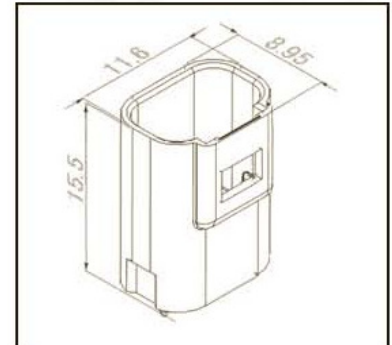
565-003-000-XXX



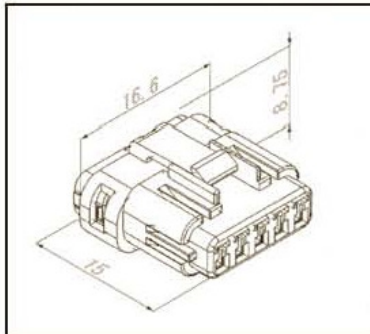
565-003-000-XXX



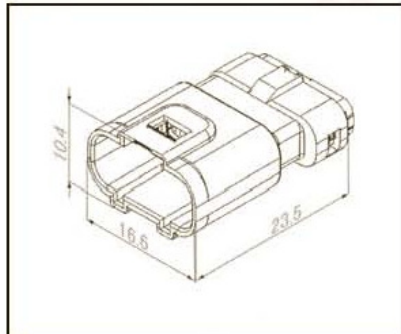
565-003-420-101



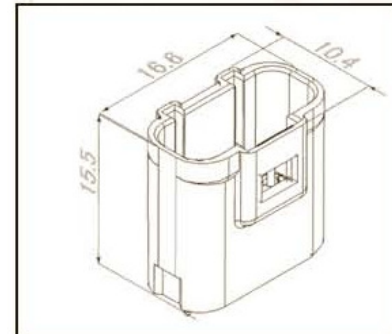
565-005-000-XXX



565-005-000-XXX



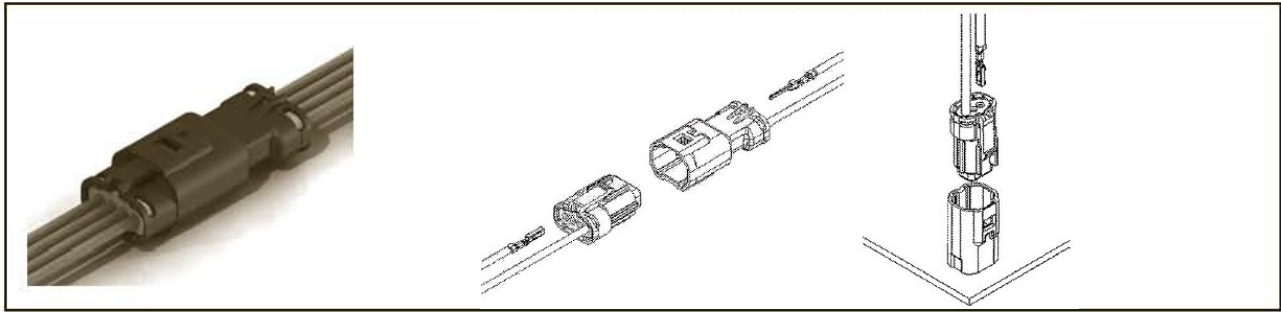
565-005-420-101



| Insulation Diameter | "XXX" | Male Housing Color |
|---------------------|-------|--------------------|
| Ø1.0mm to Ø1.3mm | 110 | White |
| | 310 | Black |
| Ø1.3mm to Ø1.7mm | 111 | White |
| | 311 | Black |

| Insulation Diameter | "XXX" | Female Housing Color |
|---------------------|-------|----------------------|
| Ø1.0mm to Ø1.3mm | 210 | White |
| | 410 | Black |
| Ø1.3mm to Ø1.7mm | 211 | White |
| | 411 | Black |

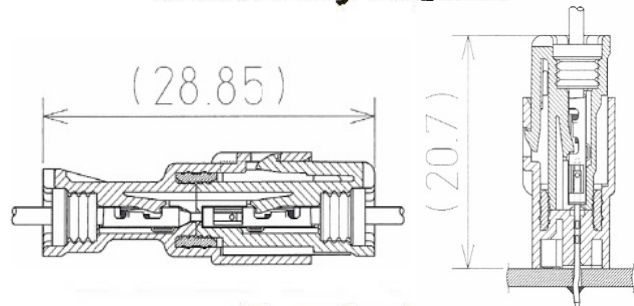
IP67 CERTIFIED



Features

- 2.0mm pitch, rated current: 2A Max
- Fully waterproof solution
- Available in wire-to-wire and wire-to-board options
- Seals preassembled into housing-no external sealing required
- True crimp and poke solution
- Available with wire already installed
- Waterproof caps available to cover unused holes

Assembly Layout



Materials

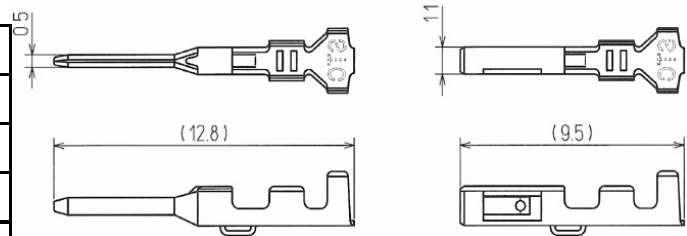
| | |
|---------------------|--|
| Housing | PBT (UL 94V-0) |
| Terminal | Phosphor Bronze/Tin Plating |
| PCB Header | PBT with glass (UL 94V-0) Brass/Tin Plating |
| Wire + Housing Seal | Silicone Rubber |

Terminals

| Part Number | Wire Range | Ins. Dia. | Pcs/Reel | Gender |
|-------------|---|-----------|----------|--------|
| 566-290-711 | 0.8-0.3mm ² (AWG #22-#28) | Ø1.0~1.5 | 12,000 | Male |
| 566-290-721 | 0.8-0.3mm ² (AWG #22-#28) | Ø1.0~1.5 | 12,000 | Female |

Specifications

| | | |
|----|------------------------|----------------------|
| 1 | Wire-to-Wire Circuits | 2, 3, 4P |
| | Wire-to-Board Circuits | 2, 3P |
| 2 | Pitch | 2.0mm |
| 3 | Rated Voltage | 250V |
| 4 | Rated Current | 2A max |
| 5 | Withstand Voltage | AC 1000V r.m.s. |
| 6 | Contact Resistance | 10 mΩ max |
| 7 | Insulation Resistance | 10000 MΩ min/DC 500V |
| 8 | Temperature Range | -40°C ~ +105°C |
| 9 | Waterproof Grade | IP67 |
| 10 | PCB Thickness | 1.6mm |



566-290-711

566-290-721

Internal Wire Seal

| Insulation Diameter | Color | Applicable Terminal |
|---------------------|------------|---------------------|
| Ø1.0 ~ Ø1.25 | Light Blue | 566-290-711 |
| Ø1.25 ~ Ø1.5 | Orange | 566-290-721 |

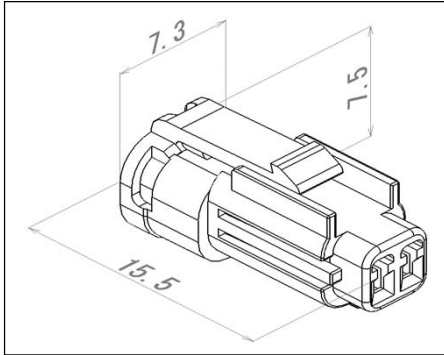
Waterproofing Cap

566-200-100

Contact Edac for more information.

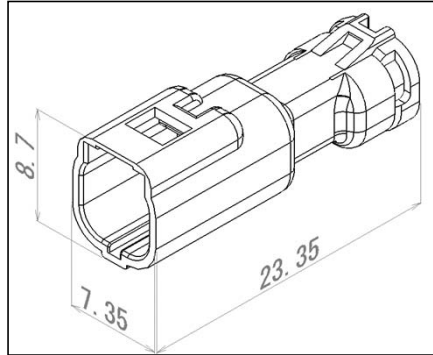
Female Housing

566-002-000-XXX



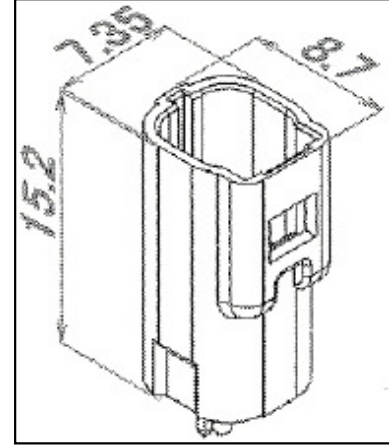
Male Housing

566-002-000-XXX

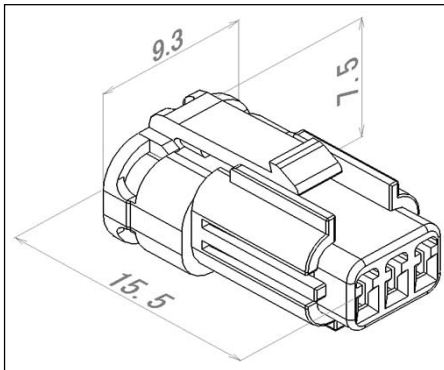


PCB Header

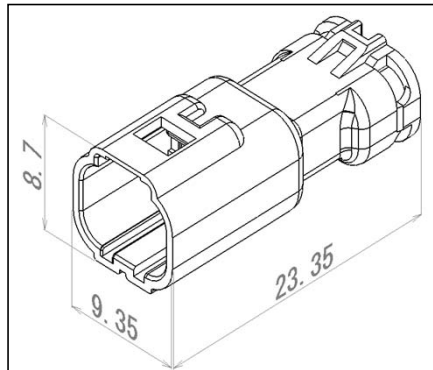
566-002-421-701*



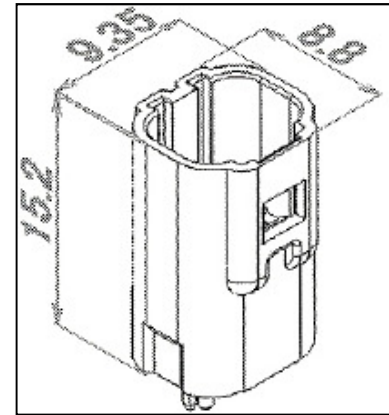
566-003-000-XXX



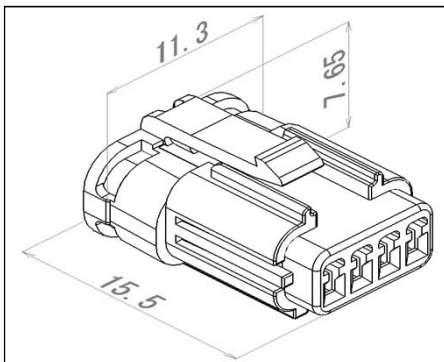
566-003-000-XXX



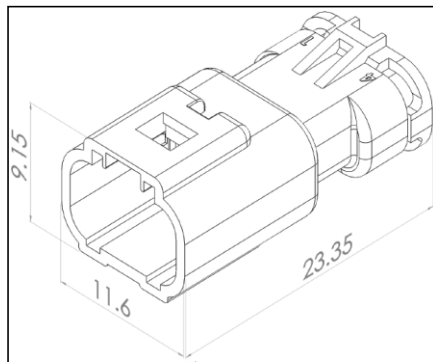
566-003-421-701*



566-004-000-XXX



566-004-000-XXX

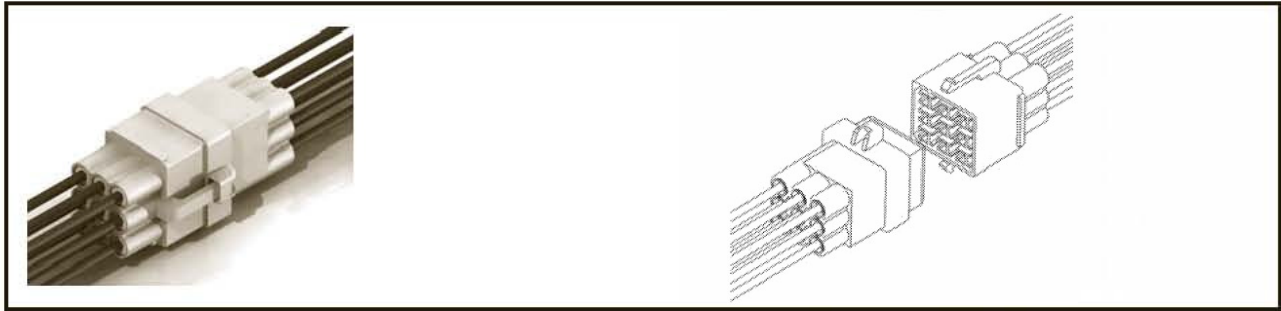


701*-Black color housing

| Insulation Diameter | "XXX" | Male Housing Color |
|---------------------|-------|--------------------|
| Ø1.0mm to Ø1.25mm | 510 | White |
| | 710 | Black |
| Ø1.25mm to Ø1.5mm | 511 | White |
| | 711 | Black |

| Insulation Diameter | "XXX" | Female Housing Color |
|---------------------|-------|----------------------|
| Ø1.0mm to Ø1.25mm | 610 | White |
| | 810 | Black |
| Ø1.25mm to Ø1.5mm | 611 | White |
| | 811 | Black |

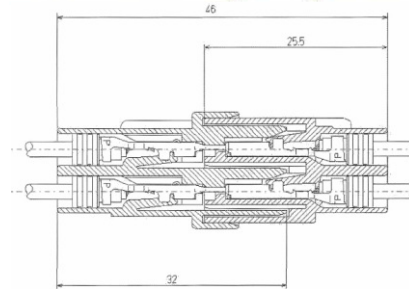
IP52 CERTIFIED



Features

- 5.0x5.9mm pitch, rated current: 8A Max
- Splash proof solution tested to IP52
- Available with wire already installed

Assembly Layout



Materials

| | |
|---------------------|---------------------------------------|
| Housing | PBT (UL94V-0) |
| Terminal | Brass, Phosphor Bronze/Tin Plating |
| Wire • Housing Seal | Silicone Rubber |

Specifications

| | | |
|---|-----------------------|------------------------|
| 1 | Circuits | 1,2,3,4,6,9P |
| 2 | Pitch | 5.0x5.9mm |
| 3 | Rated Voltage | 300V |
| 4 | Rated Current | 8A max. |
| 5 | Withstand Voltage | AC1700V r.m.s. |
| 6 | Contact Resistance | 10m Ω max. |
| 7 | Insulation Resistance | 1000M Ω min. /DC 500 V |
| 8 | Temperature Range | -40°C ~+ 105°C |
| 9 | Waterproof Grade | IP 52 |

Terminals

| Part Number | Material | Wire Range | Inside Dia | PCS/Reel | Type |
|-------------|----------|--|------------|----------|--------|
| 570-290-711 | Brass | 0.3-0.5mm ² (AWG #22~#20) | Ø2.7 max | 4,000 | Male |
| 570-290-721 | Brass | 0.3-0.5mm ² (AWG #22~#20) | Ø2.7 max | 4,000 | Female |
| 570-291-721 | Phos.Br* | 0.3-0.5mm ² (AWG #22~#20) | Ø2.7 max | 4,000 | Female |
| 570-290-731 | Brass | 0.5-1.25mm ² (AWG #20~#16) | Ø3.1 max | 4,000 | Male |
| 570-291-731 | Phos.Br* | 0.5-1.25mm ² (AWG #20~#16) | Ø3.1 max | 4,000 | Female |
| 570-290-741 | Brass | 0.5-1.25mm ² (AWG #20~#16) | Ø3.1 max | 4,000 | Female |
| 570-291-741 | Phos.Br* | 0.5-1.25mm ² (AWG #20~#16) | Ø3.1 max | 4,000 | Female |
| 570-290-751 | Brass | 2.0mm ² (AWG #14) | Ø3.1 max | 4,000 | Male |
| 570-290-761 | Brass | 2.0mm ² (AWG #14) | Ø3.1 max | 4,000 | Female |

*Phosphor Bronze terminals are available in special order
Terminals are also available in smaller strip lengths

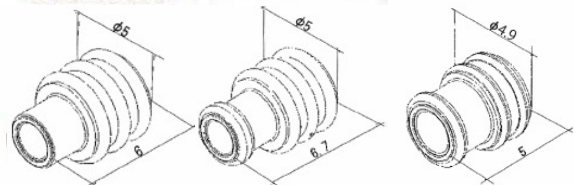
Wire Seal

| Part Number | Ins. Dia. | Color | Pcs |
|-------------|-------------|-------|-------|
| 570-260-001 | Ø 1.7 ~ 2.1 | Black | 1,000 |
| 570-260-002 | Ø 2.1 ~ 2.7 | Blue | 1,000 |
| 570-260-003 | Ø 2.1 ~ 2.7 | Blue | 1,000 |
| 570-260-004 | Ø 2.7 ~ 3.1 | Brown | 1,000 |

570-260-001
570-260-002

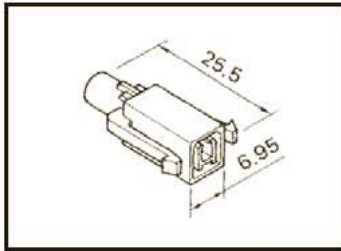
570-260-003

570-260-004

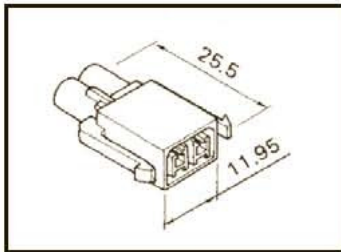


Female Housing

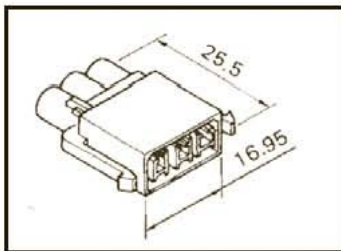
567-001-000-410



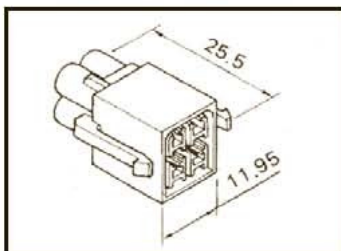
567-002-000-410



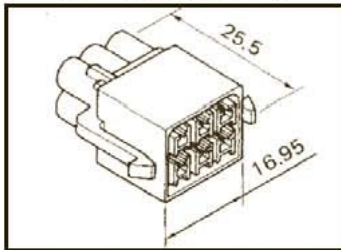
567-003-000-410



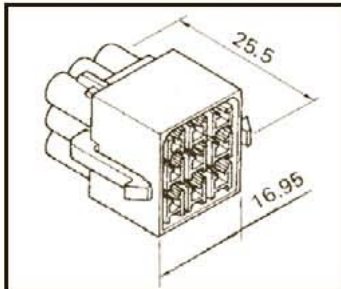
567-004-000-410



567-006-000-410

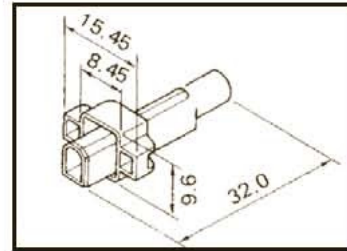


567-009-000-410

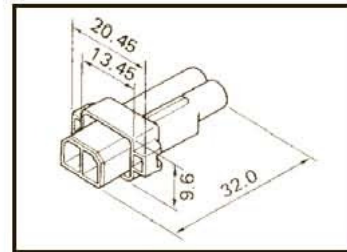


Male Housing

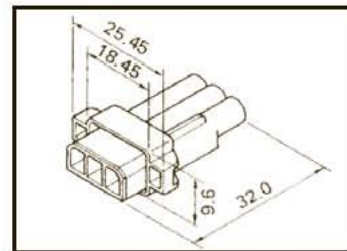
567-001-000-310



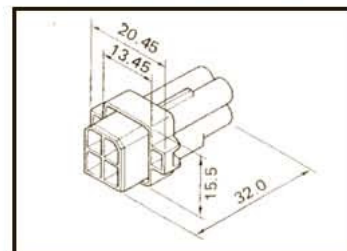
567-002-000-310



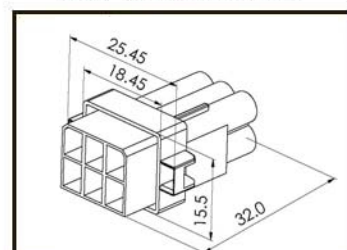
567-003-000-310



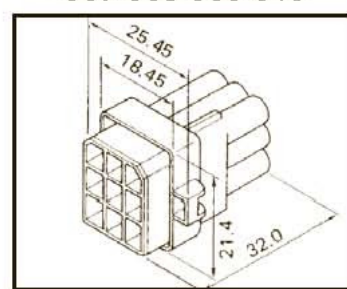
567-004-000-310



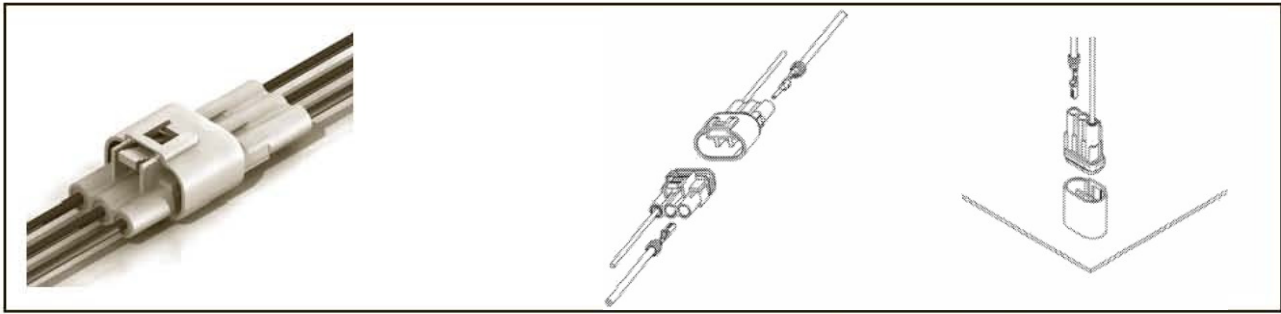
567-006-000-310



567-009-000-310



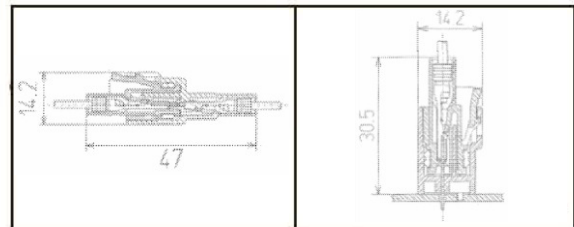
IP67 CERTIFIED



Features

- 5.8mm pitch, Rated current: 10A Max
- Waterproof solution from 1 to 3 positions
- Wide range of wire sizes available
- Wire to wire and board mount options available
- Available with wire already installed

Assembly Layout



Materials

| | |
|---------------------|--|
| Housing | PBT (UL 94V-0) |
| Terminal | Brass, Phosphor Bronze/Tin Plating |
| PCB Header | PBT with glass (UL 94V-0) Brass/Tin Plating |
| Wire + Housing Seal | Silicone Rubber |

Terminals

| Part Number | Material | Wire Range | Inside Dia | PCS/Reel | Type |
|-------------|----------|--|------------|----------|--------|
| 570-290-711 | Brass | 0.3-0.5mm ² (AWG #22~#20) | Ø2.7 max | 4,000 | Male |
| 570-290-721 | Brass | 0.3-0.5mm ² (AWG #22~#20) | Ø2.7 max | 4,000 | Female |
| 570-291-721 | Phos.Br* | | | | |
| 570-290-731 | Brass | 0.5-1.25mm ² (AWG #20~#16) | Ø3.1 max | 4,000 | Male |
| 570-291-731 | Phos.Br* | | | | |
| 570-290-741 | Brass | 0.5-1.25mm ² (AWG #20~#16) | Ø3.1 max | 4,000 | Female |
| 570-291-741 | Phos.Br* | | | | |
| 570-290-751 | Brass | 2.0mm ² (AWG #14) | Ø3.1 max | 4,000 | Male |
| 570-290-761 | Brass | 2.0mm ² (AWG #14) | Ø3.1 max | 4,000 | Female |

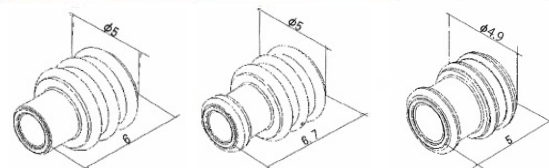
Specifications

| | | |
|----|-----------------------|------------------------|
| 1 | Circuits | 1,2,3P |
| 2 | Pitch | 5.8mm |
| 3 | Rated Voltage | 300V |
| 4 | Rated Current | 10A max. |
| 5 | Withstand Voltage | AC1700V r.m.s. |
| 6 | Contact Resistance | 10m Ω max. |
| 7 | Insulation Resistance | 1000M Ω min. /DC 500 V |
| 8 | Temperature Range | -40°C ~+ 105°C |
| 9 | Waterproof Grade | IP67 |
| 10 | PCB Thickness | 1.6mm |

*Phosphor Bronze terminals are available in special order
Terminals are also available in smaller strip lengths

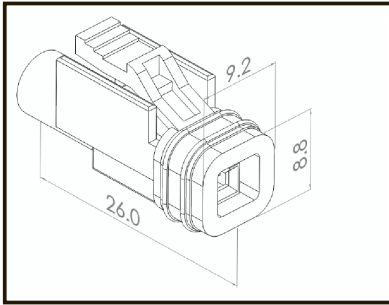
Wire Seal

| Part Number | Ins. Dia. | Color | Pcs |
|----------------------------|-------------|-------------|-------|
| 570-260-001 | Ø 1.7 ~ 2.1 | Black | 1,000 |
| 570-260-002 | Ø 2.1 ~ 2.7 | Blue | 1,000 |
| 570-260-003 | Ø 2.1 ~ 2.7 | Blue | 1,000 |
| 570-260-004 | Ø 2.7 ~ 3.1 | Brown | 1,000 |
| 570-260-001 570-260-002 | 570-260-003 | 570-260-004 | |



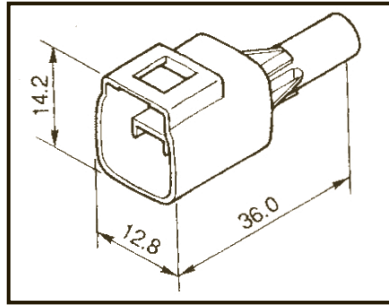
Female Housing

570-001-000-200



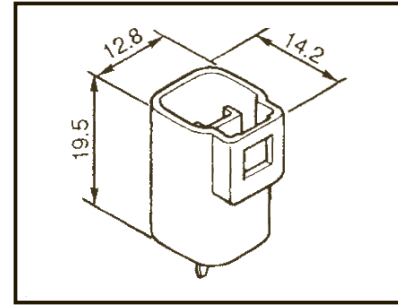
Male Housing

570-001-000-100

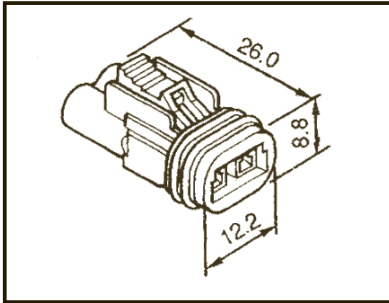


PCB Header

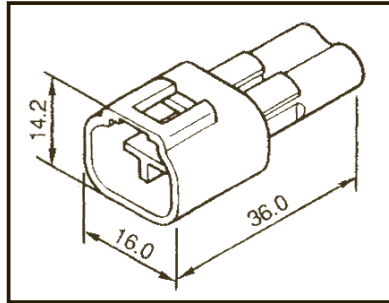
570-001-420-101



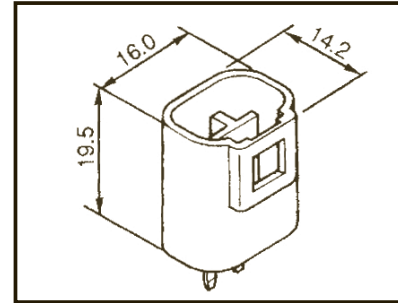
570-002-000-200



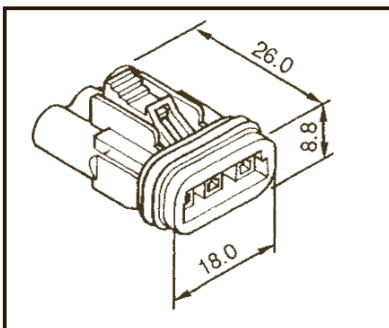
570-002-000-100



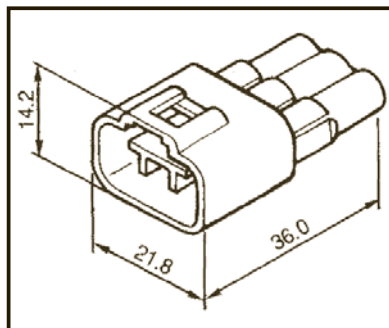
570-002-420-101



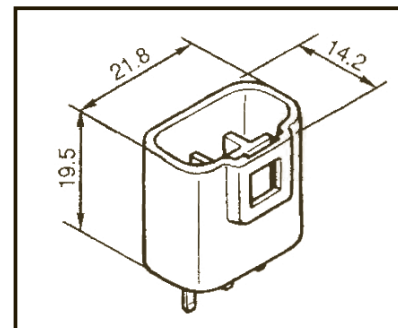
570-003-000-200



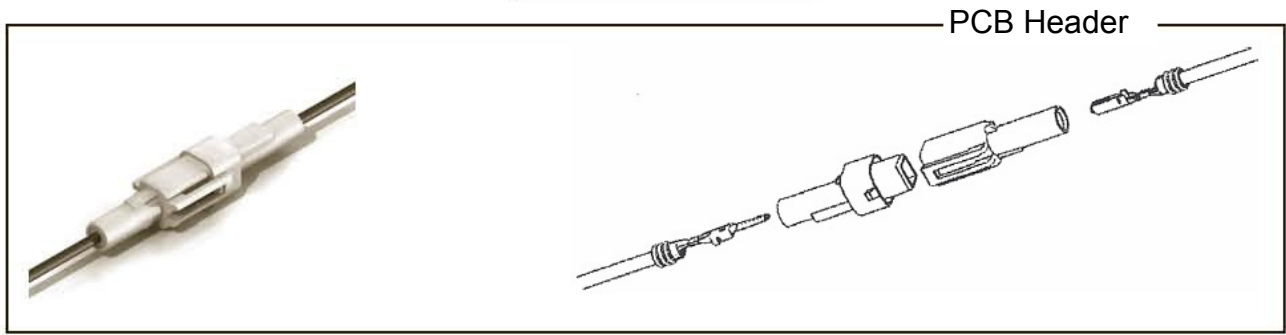
570-003-000-100



570-003-420-101



IP67 CERTIFIED



Features

- Rated current 12A Max
- Fully waterproof solution for single position
- Accommodates wide range of wire sizes
- Available with wire already installed

Materials

| | |
|---------------------|---------------------------------------|
| Housing | PBT (UL 94V-0) |
| Terminal | Brass, Phosphor Bronze/Tin Plating |
| Wire + Housing Seal | Silicone Rubber |

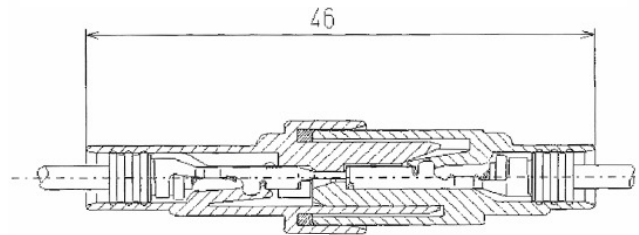
Specifications

| | | |
|---|-----------------------|------------------------|
| 1 | Circuits | 1P |
| 2 | Rated Voltage | 300V |
| 3 | Rated Current | 12A max. |
| 4 | Withstand Voltage | AC1700V r.m.s. |
| 5 | Contact Resistance | 10m Ω max. |
| 6 | Insulation Resistance | 1000M Ω min. /DC 500 V |
| 7 | Temperature Range | -40°C ~+ 105°C |
| 8 | Waterproof Grade | IP67 |

Wire Seal

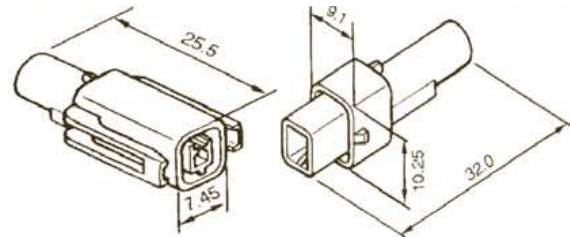
| Part Number | Ins. Dia. | Color | Pcs |
|-------------|-------------|-------|-------|
| 570-260-001 | ∅ 1.7 ~ 2.1 | Black | 1,000 |
| 570-260-002 | ∅ 2.1 ~ 2.7 | Blue | 1,000 |
| 570-260-003 | ∅ 2.1 ~ 2.7 | Blue | 1,000 |
| 570-260-004 | ∅ 2.7 ~ 3.1 | Brown | 1,000 |

Assembly Layout



568-001-000-200

568-001-000-100



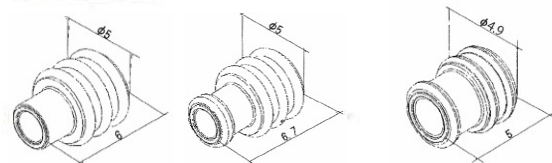
Terminals

| Part Number | Material | Wire Range | Inside Dia | PCS/Reel | Type |
|-------------|----------|--|------------|----------|--------|
| 570-290-711 | Brass | 0.3-0.5mm ² (AWG #22~#20) | ∅2.7 max | 4,000 | Male |
| 570-290-721 | Brass | 0.3-0.5mm ² (AWG #22~#20) | ∅2.7 max | 4,000 | Female |
| 570-291-721 | Phos.Br | | | | |
| 570-290-731 | Brass | 0.5-1.25mm ² (AWG #20~#16) | ∅3.1 max | 4,000 | Male |
| 570-291-731 | Phos.Br | | | | |
| 570-290-741 | Brass | 0.5-1.25mm ² (AWG #20~#16) | ∅3.1 max | 4,000 | Female |
| 570-291-741 | Phos.Br | | | | |
| 570-290-751 | Brass | 2.0mm ² (AWG #14) | ∅3.1 max | 4,000 | Male |
| 570-290-761 | Brass | 2.0mm ² (AWG #14) | ∅3.1 max | 4,000 | Female |

570-260-001
570-260-002

570-260-003

570-260-004



*Phosphor Bronze terminals are available in special order
Terminals are also available in smaller strip lengths

Automatic Contact Crimp Machine

- Applicators available to crimp all series contacts
- All required guards for operator safety
- Easy access for all setting changes
- Foot switch to initiate crimp cycle
- Mounts to any bench surface
- Quick change applicators allow for fast conversions from one contact type to another



Hand Crimp Tool

- Manual hand crimp tool
- Cuts the contacts from the carrier strip

Contact Ejection Tool

- Tool to remove previously inserted contact from connector housing

Contact EDAC customer service for more information



AMERICAS

Phone: (416) 754-3322

Fax: (416) 754-3299

Email: customerservice@edac.net

EUROPE

Phone: +44 (0) 1908 569333

Fax: +44 (0) 1908 569444

Email: info@edac.co.uk

ASIA

Phone: +886 (0) 2-8809-1480

Fax: +886 (0) 2-8809-1460

Email: info@edac-tw.com

Mouser Electronics

Authorized Distributor

Click to View Pricing, Inventory, Delivery & Lifecycle Information:

EDAC:

[565-280-701](#) [570-280-703](#) [570-280-200](#) [565-280-230](#) [565-280-240](#) [565-280-702](#) [570-280-201](#) [566-290-711](#) [566-290-721](#) [565-280-301](#) [566-003-421-701](#) [566-002-421-701](#)