

HC-A03-I-UT-F - Contact insert

1585223

<https://www.phoenixcontact.com/us/products/1585223>

Please be informed that the data shown in this PDF document is generated from our online catalog. Please find the complete data in the user documentation. Our general terms of use for downloads are valid.



Contact insert, number of positions: 3+PE, size: D7, number of connections per position: 1, Socket, Screw connection, 230 V/400 V, 10 A, 0.5 mm² ... 2.5 mm²

Product description

Contact insert
without wire protection, with IP65 sealing screw

Your advantages

- Shock and vibration-resistant in accordance with DIN EN 61373

Commercial data

Item number	1585223
Packing unit	1 pc
Minimum order quantity	1 pc
Sales key	BF61
Product key	BF7ABJ
Catalog page	Page 505 (C-2-2019)
GTIN	4046356284950
Weight per piece (including packing)	15.1 g
Weight per piece (excluding packing)	15 g
Customs tariff number	85366990
Country of origin	CN

HC-A03-I-UT-F - Contact insert



1585223

<https://www.phoenixcontact.com/us/products/1585223>

Technical data

Notes

General	for housing HC-D7
General	Connectors may be operated only when there is no load/voltage.

Mounting

Assembly note	To ensure correct use, installation in housing with IP54 protection or better is required
	Already includes one IP65 sealing screw

Product properties

Product type	Contact insert with a fixed no. of positions
Series	HC-A
Type	D7
Number of positions	3
Connection profile	3+PE
Contact numbering	1 - 3
Number of connections per position	1
Contact material type	turned
Screwdriver blade	0.4 x 2.5 mm

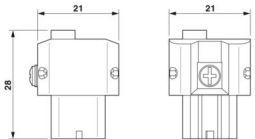
Data management status

Article revision	04
------------------	----

Insulation characteristics

Overvoltage category	III
Degree of pollution	3

Dimensions

Dimensional drawing	
Width	21 mm
Height	28 mm
Length	21 mm

Mechanical characteristics

Contact diameter	1.6 mm
------------------	--------

Connection data

Connection technology

Connection technology	Screw connection
-----------------------	------------------

HC-A03-I-UT-F - Contact insert



1585223

<https://www.phoenixcontact.com/us/products/1585223>

Number of connections per position	1
Connection in acc. with standard	IEC / EN

Conductor connection

Conductor cross section	0.5 mm ² ... 2.5 mm ²
Connection cross section AWG	20 ... 14
Tightening torque	0.5 Nm ... 0.8 Nm (Mounting screws for mounting in the HEAVYCON housing) 0.25 Nm ... 0.5 Nm
Stripping length of the individual wire	5 mm

Electrical properties

Rated voltage (III/2) contacts	415 V (Conductor-PE)
	690 V (Conductor-Conductor)
Rated voltage (III/3)	230 V (Conductor-PE)
	400 V (Conductor-Conductor)
Rated voltage for power contacts	230/400 V
Rated surge voltage	4 kV
	4 kV
Rated current	10 A
SCCR	5 kA (UL 2237)

Mechanical properties

Mechanical data

Insertion/withdrawal cycles	≥ 500
-----------------------------	-------

Material specifications

Flammability rating according to UL 94	V0
Contact material	Copper alloy
Contact surface material	Ag
Contact carrier material	PC
Standards/regulations	PC: Fire protection in rail vehicles - requirement sets R22, R23, and R24 acc. to DIN EN 45545-2 (Risk level HL1 - HL3)

Environmental and real-life conditions

Ambient conditions

Ambient temperature (operation)	-40 °C ... 125 °C (including heating up of contacts)
---------------------------------	--

Standards and regulations

Testing

Standards/regulations	PC: Fire protection in rail vehicles - requirement sets R22, R23, and R24 acc. to DIN EN 45545-2 (Risk level HL1 - HL3)
-----------------------	---

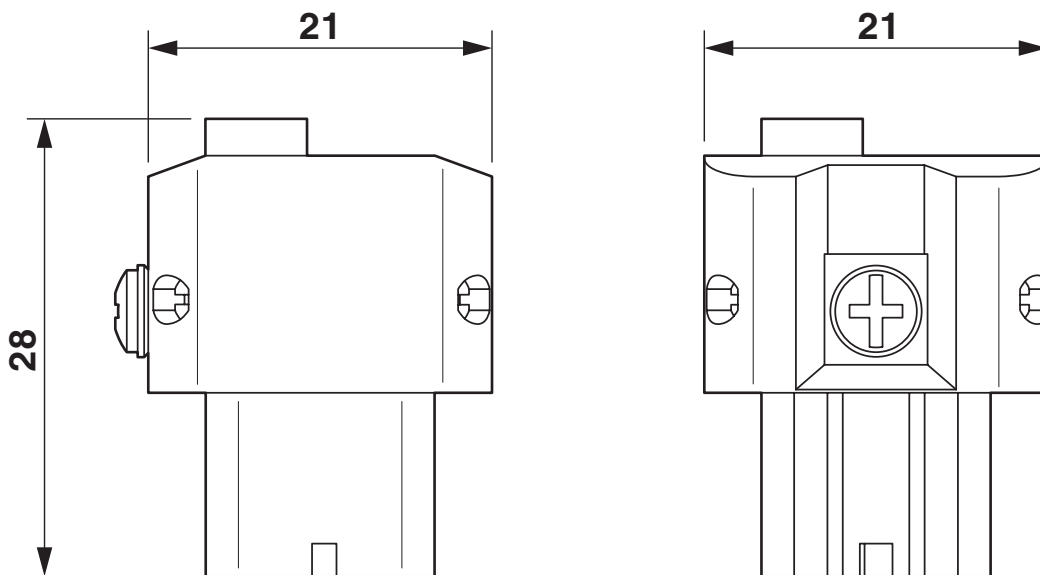
HC-A03-I-UT-F - Contact insert

1585223

<https://www.phoenixcontact.com/us/products/1585223>

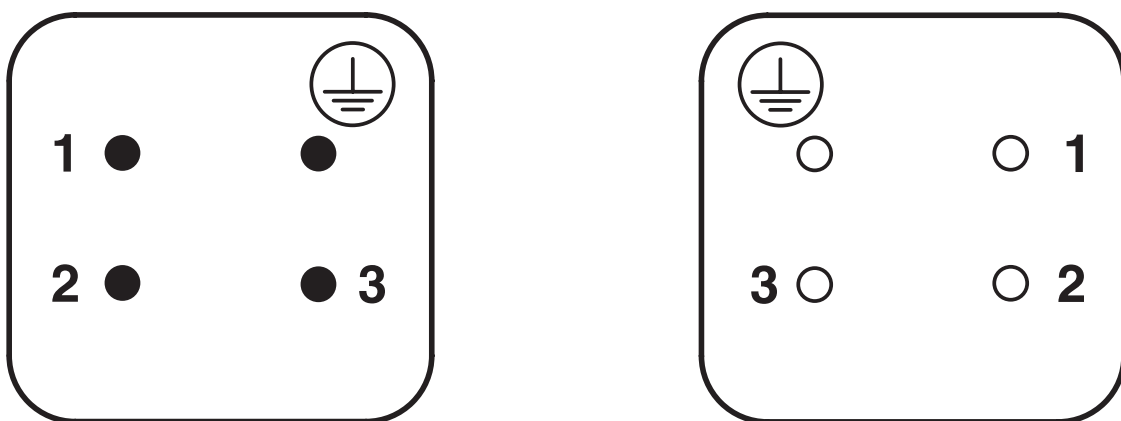
Drawings

Dimensional drawing



Female insert

Schematic diagram



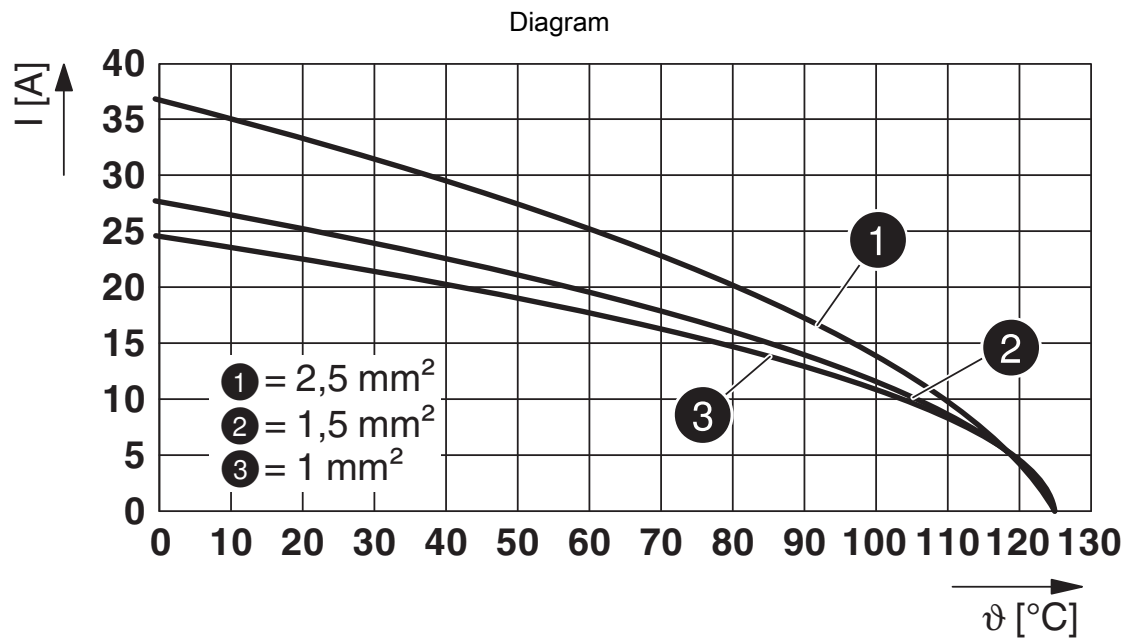
Connector pin assignment connection side: Left pin; right socket

HC-A03-I-UT-F - Contact insert



1585223

<https://www.phoenixcontact.com/us/products/1585223>



Derating diagram

HC-A03-I-UT-F - Contact insert



1585223

<https://www.phoenixcontact.com/us/products/1585223>

Approvals

To download certificates, visit the product detail page: <https://www.phoenixcontact.com/us/products/1585223>

DNV

Approval ID: TAE000037S



CSA

Approval ID: 13631

	Nominal voltage U_N	Nominal current I_N	Cross section AWG	Cross section mm^2
	600 V	18 A	- 14	-



UL Recognized

Approval ID: E118976

	Nominal voltage U_N	Nominal current I_N	Cross section AWG	Cross section mm^2
	600 V	24 A	-	-



EAC

Approval ID: RU C-DE.BL08.B.00511



UL Recognized

Approval ID: E468743

	Nominal voltage U_N	Nominal current I_N	Cross section AWG	Cross section mm^2
	600 V	24 A	-	-

HC-A03-I-UT-F - Contact insert



1585223

<https://www.phoenixcontact.com/us/products/1585223>

Classifications

ECLASS

ECLASS-11.0	27440205
ECLASS-12.0	27440205
ECLASS-13.0	27440205

ETIM

ETIM 9.0	EC000438
----------	----------

UNSPSC

UNSPSC 21.0	39121500
-------------	----------

HC-A03-I-UT-F - Contact insert



1585223

<https://www.phoenixcontact.com/us/products/1585223>

Environmental product compliance

EU RoHS

Fulfills EU RoHS substance requirements	Yes, No exemptions
---	--------------------

China RoHS

Environment friendly use period (EFUP)	EFUP-E
	No hazardous substances above the limits

EU REACH SVHC

REACH candidate substance (CAS No.)	No substance above 0.1 wt%
-------------------------------------	----------------------------

Phoenix Contact 2024 © - all rights reserved
<https://www.phoenixcontact.com>

Phoenix Contact USA
586 Fulling Mill Road
Middletown, PA 17057, United States
(+717) 944-1300
info@phoenixcon.com