



Sensors > Temperature Sensors > RTD Sensors > RTD Sensor Elements > Pt100 RTD Thin Film Element



RTD Element Type: **Platinum Thin Film Temperature Element**

Tolerance Class: **Class B / F0.3**

Element Type: **Ceramic**

Element Material: **Platinum**

Lead Wire Style: **Ag**

[All Pt100 RTD Thin Film Element \(26\)](#)

Features

Product Type Features

Wire/Cladding Type	Ag
RTD Element Type	Platinum Thin Film Temperature Element
Element Type	Ceramic
Element Material	Platinum
Lead Wire Style	Ag

Configuration Features

Electrical Connection	Open Ends
-----------------------	-----------

Mechanical Attachment

Wire Length	10 mm[.393 in]
-------------	----------------

Dimensions

Body Width	1.2 mm[.047 in]
Wire Diameter	.25 mm[.009 in]
Body Height	1.1 mm[.043 in]
Body Length	4 mm[.157 in]

Usage Conditions

T1 and T2 for TCR	0 and +100 °C
-------------------	---------------



TCR at (T1 and T2)	3850 ppm/°C
Accuracy (at T_ref)	± .3 °C
Operating Temperature Range	-50 – 300 °C[-58 – 572 °F]
Operating Temperature (Max)	300 °C[572 °F]

Other

Wire Count	2
Tolerance Class	Class B / F0.3

Product Compliance

[For compliance documentation, visit the product page on TE.com>](#)

EU RoHS Directive 2011/65/EU	Compliant
EU ELV Directive 2000/53/EC	Not Yet Reviewed
China RoHS 2 Directive MIIT Order No 32, 2016	No Restricted Materials Above Threshold
EU REACH Regulation (EC) No. 1907/2006	Current ECHA Candidate List: JUNE 2024 (241) Candidate List Declared Against: JUNE 2024 (241) Does not contain REACH SVHC
Halogen Content	Low Halogen - Br, Cl, F, I < 900 ppm per homogenous material. Also BFR/CFR/PVC Free
Solder Process Capability	Not reviewed for solder process capability

Product Compliance Disclaimer

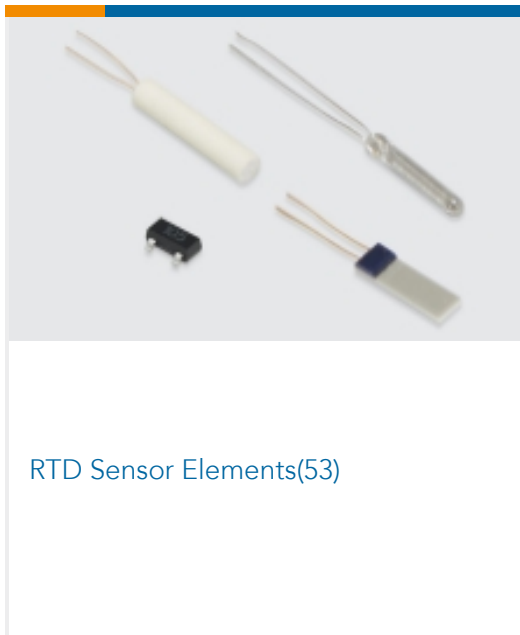
This information is provided based on reasonable inquiry of our suppliers and represents our current actual knowledge based on the information they provided. This information is subject to change. The part numbers that TE has identified as EU RoHS compliant have a maximum concentration of 0.1% by weight in homogenous materials for lead, hexavalent chromium, mercury, PBB, PBDE, DBP, BBP, DEHP, DIBP, and 0.01% for cadmium, or qualify for an exemption to these limits as defined in the Annexes of Directive 2011/65/EU (RoHS2). Finished electrical and electronic equipment products will be CE marked as required by Directive 2011/65/EU. Components may not be CE marked. Additionally, the part numbers that TE has identified as EU ELV compliant have a maximum concentration of 0.1% by weight in homogenous materials for lead, hexavalent chromium, and mercury, and 0.01% for cadmium, or qualify for an exemption to these limits as defined in the Annexes of Directive 2000/53/EC (ELV). Regarding the REACH Regulation, the information TE provides on SVHC in articles for this part number is based on the latest European Chemicals Agency (ECHA) 'Guidance on requirements for substances in articles' posted at this URL: <https://echa.europa.eu/guidance-documents/guidance-on-reach>

Compatible Parts



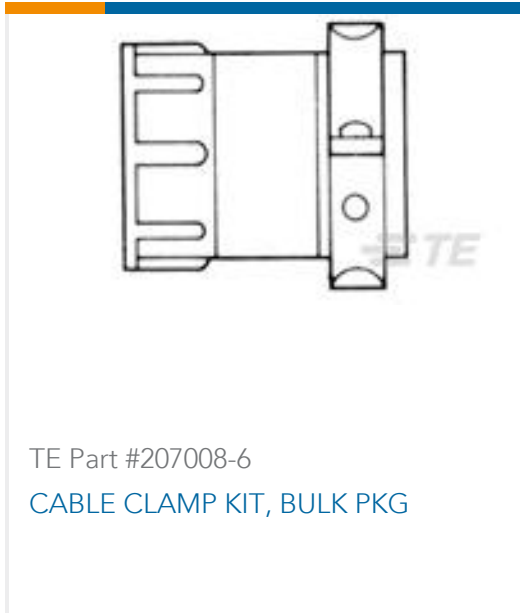
TE Part # CAT-RTD0046
Pt100 RTD Thin Film Element

Also in the Series | MEAS PTF



RTD Sensor Elements(53)

Customers Also Bought



TE Part #207008-6
CABLE CLAMP KIT, BULK PKG



TE Part #1676282-3
RN 0805 2K0 0.1% 10PPM 5KRL



TE Part #1-794069-1
18P MINI UMNL HDR W/DH AU LF



TE Part #1-1614884-2
CPF 0805 6R2 0.1% 25PPM 1K RL



TE Part #1-1757824-1
AMPLIMITE,ASY,RCPT,STD,90,ZN,5,CT



TE Part #1440007-2
OJ-SS-124HM,000



TE Part #T4144035041-000
M12 R/A M PNL REAR A-CODE 4P
PCBSTD SHLD



TE Part #CW2822-000
R85049/128-1



TE Part #F27156-000
VERSAFIT-MINI-SPL-1-BK



Documents

CAD Files

3D PDF

3D

Customer View Model

[ENG_CVM_CVM_NB-PTCO-186_A.2d_dxf.zip](#)

English

Customer View Model

[ENG_CVM_CVM_NB-PTCO-186_A.3d_igs.zip](#)

English

Customer View Model

[ENG_CVM_CVM_NB-PTCO-186_A.3d_stp.zip](#)

English

By downloading the CAD file I accept and agree to the [Terms and Conditions](#) of use.

Datasheets & Catalog Pages

[Datasheet PTF-Family PTFC,PTFD,PTFF,PTFM](#)

English