



Connectors > Connector Accessories > Heat Sinks



Device Type: CFP2

### Features

#### Product Type Features

Device Type	CFP2
-------------	------

#### Body Features

Primary Product Material	Stainless Steel
--------------------------	-----------------

### Product Compliance

[For compliance documentation, visit the product page on TE.com>](#)

EU RoHS Directive 2011/65/EU	Compliant
EU ELV Directive 2000/53/EC	Compliant
China RoHS 2 Directive MIIT Order No 32, 2016	No Restricted Materials Above Threshold
EU REACH Regulation (EC) No. 1907/2006	Current ECHA Candidate List: JUNE 2024 (241) Candidate List Declared Against: JUNE 2024 (241) Does not contain REACH SVHC
Halogen Content	Low Halogen - Br, Cl, F, I < 900 ppm per homogenous material. Also BFR/CFR/PVC Free
Solder Process Capability	Not applicable for solder process capability

#### Product Compliance Disclaimer

This information is provided based on reasonable inquiry of our suppliers and represents our current actual knowledge based on the information they provided. This information is subject to change. The part numbers that TE has identified as EU RoHS compliant have a maximum concentration of 0.1% by weight in homogenous materials for lead, hexavalent

chromium, mercury, PBB, PBDE, DBP, BBP, DEHP, DIBP, and 0.01% for cadmium, or qualify for an exemption to these limits as defined in the Annexes of Directive 2011/65/EU (RoHS2). Finished electrical and electronic equipment products will be CE marked as required by Directive 2011/65/EU. Components may not be CE marked. Additionally, the part numbers that TE has identified as EU ELV compliant have a maximum concentration of 0.1% by weight in homogenous materials for lead, hexavalent chromium, and mercury, and 0.01% for cadmium, or qualify for an exemption to these limits as defined in the Annexes of Directive 2000/53/EC (ELV). Regarding the REACH Regulation, the information TE provides on SVHC in articles for this part number is based on the latest European Chemicals Agency (ECHA) 'Guidance on requirements for substances in articles' posted at this URL: <https://echa.europa.eu/guidance-documents/guidance-on-reach>

## Compatible Parts



TE Part # 2288218-3  
HEAT SINK,FRONT TO BACK  
AIREFLOW,CFP2



TE Part # 2274845-1  
CFP2 RECEPTACLE ASSEMBLY



TE Part # 2288218-6  
HEAT SINK,FRONT TO BACK  
AIREFLOW,CFP2



TE Part # 2288219-3  
CFP2 HEATSINK, SIDE TO SIDE  
AIREFLOW

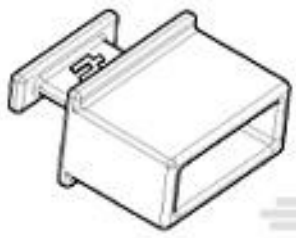


TE Part # 2288221-1  
CFP2 EMI/DUST PLUG

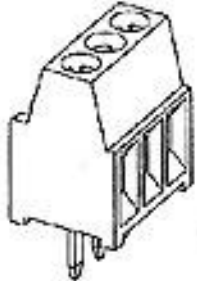
## Customers Also Bought



TE Part #1-794108-0  
24P MINI UMNL R/A HDR ASSY SN



TE Part #1888810-2  
EMI/Dust Cover,XFP And QSFP



TE Part #282834-6  
TERMI-BLOK PCB MOUNT, 90 6P.




TE Part #2057693-1  
IMP100S,R,RA3P8C,UG,39



TE Part #2288219-3  
CFP2 HEATSINK, SIDE TO SIDE  
AIREFLOW



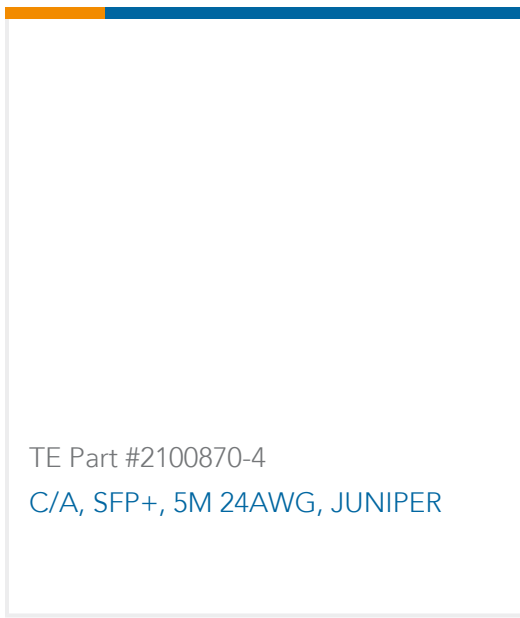
TE Part #2227671-2  
zQSFP+ STACKED RECEPTACLE  
ASSEMBLY 2X3



TE Part #1-1888653-1  
2X1 OFFSET ST/JK WITH LEDs



TE Part #2143313-2  
IMP100S,H,RA2P16C,LG,OEW39,4.9



## Documents

### Product Drawings

[CFP2 HEATSINK CLIP](#)

English

### CAD Files

[3D PDF](#)

3D

Customer View Model

[ENG\\_CVM\\_CVM\\_2288220-2\\_1.2d\\_dxf.zip](#)

English

Customer View Model

[ENG\\_CVM\\_CVM\\_2288220-2\\_1.3d\\_igs.zip](#)

English

Customer View Model

[ENG\\_CVM\\_CVM\\_2288220-2\\_1.3d\\_stp.zip](#)

English

By downloading the CAD file I accept and agree to the [Terms and Conditions](#) of use.

### Product Specifications

[Application Specification](#)

English