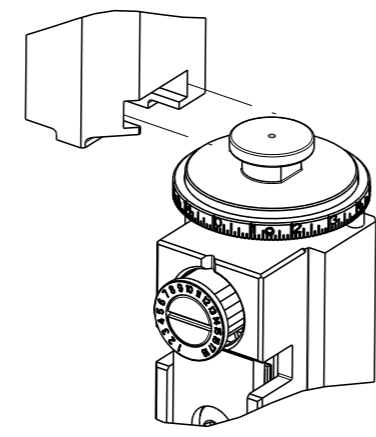


PART NUMBER	REVISION	DESCRIPTION	FEED TYPE
2266116-1	F	FINE CRIMP HEIGHT ADJUST	MECHANICAL
2266116-2	F	FINE CRIMP HEIGHT ADJUST	PNEUMATIC
5-2266116-1	F	SEAL STRIPPER CRIMPER TERMINATING UNIT	MECHANICAL
5-2266116-2	F	SEAL STRIPPER CRIMPER TERMINATING UNIT	PNEUMATIC
7-2266116-1	F	MECHANICAL AND CRIMP TOOLING KIT	MECHANICAL
7-2266116-2	F	PNEUMATIC AND CRIMP TOOLING KIT	PNEUMATIC
7-2266116-7	D	CRIMP TOOLING KIT	-
7-2266116-8	D	APPLICATOR CONVERSION KIT	-

ATLANTIC VERSION TERMINATOR INTERFACE ADAPTER



APPLICATOR DATA		
CRIMP	SIZE	TYPE
WIRE	1.75 mm [.069]	F
INSUL	2.79 mm [.110]	O

APPLICATOR INSTRUCTIONS  
408-35042

APPLICATOR CONVERSION KITS	
PART NUMBER	INSULATION DIAMETER RANGE
7-2266116-8	Ø 2.74-3.18mm [.108-.125]
7-2266117-8	Ø 2.31-2.72mm [.091-.107]
7-2266118-8	Ø 1.91-2.29mm [.075-.090]
7-2266119-8	Ø 1.60-2.16mm [.063-.085]
7-2266120-8	Ø 1.27-1.57mm [.050-.062]

TERMINAL DATA: DEUTSCH TERMINAL DEUTSCH CRIMP SPECIFICATION	
TERMINAL NAME: STAMPED CONTACT PIN SIZE 20	
WIRE STRIP LENGTH	INSULATION DIAMETER RANGE
3.81-5.09 mm [.150-.200 IN]	Ø 2.74-3.18 mm [.108-.125 IN]
TERMINAL APPLICATION SPECIFICATION	114-151003

TERMINAL DATA: DEUTSCH TERMINAL DEUTSCH CRIMP SPECIFICATION	
TERMINAL NAME: STAMPED CONTACT SOCKET SIZE 20	
WIRE STRIP LENGTH	INSULATION DIAMETER RANGE
3.81-5.09 mm [.150-.200 IN]	Ø 2.74-3.18 mm [.108-.125 IN]
TERMINAL APPLICATION SPECIFICATION	114-151003

TERMINALS APPLIED			
TE TERMINAL	DEUTSCH TERMINAL	TE TERMINAL	DEUTSCH TERMINAL
1572032-1	1060-20-0122	1572032-2	1060-20-0144
1572032-7	1060-20-0177		

TERMINALS APPLIED			
TE TERMINAL	DEUTSCH TERMINAL	TE TERMINAL	DEUTSCH TERMINAL
286680-1	1062-20-0122	286680-2	1062-20-0144
286680-9	1062-20-0177	286680-5	1062-20-0322
286680-6	1062-20-0344	1-286680-0	1062-20-0377

WIRE SIZE	CRIMP HEIGHT mm [INCH]	CRIMP HEIGHT REFERENCE SETTING
1.50mm2	1.47+0.03/-0.05 [.058+.001/-0.002]	3.4
16 AWG	1.27+0.03/-0.05 [.050+.001/-0.002]	5.4
1.00mm2	1.27+0.03/-0.05 [.050+.001/-0.002]	5.4
18 AWG	1.24+0.03/-0.05 [.049+.001/-0.002]	5.7
0.75mm2	1.22+0.03/-0.05 [.048+.001/-0.002]	5.9
0.60mm2	1.07+0.03/-0.05 [.042+.001/-0.002]	7.4
20 AWG	0.99+0.03/-0.05 [.039+.001/-0.002]	8.2
0.50mm2	0.97+0.03/-0.05 [.038+.001/-0.002]	8.4
22 AWG	0.94+0.03/-0.05 [.037+.001/-0.002]	8.7
0.35mm2	0.94+0.03/-0.05 [.037+.001/-0.002]	8.7

- RECOMMENDED SPARE PARTS
- REFER TO SUPPLIED INSTRUCTION SHEET FOR CLEANING, LUBRICATION & STORAGE OF APPLICATOR.
  - APPLY PART NUMBER 1-23419-5 LOCTITE TO THREADS OF ITEM 180. APPLY PART NUMBER 2-23419-6 LOCTITE TO THREADS OF ITEM 242.
  - CRIMP HEIGHT REFERENCE SETTING WAS THE SETTING USED WHEN THE APPLICATOR WAS QUALIFIED AT THE FACTORY. ADJUSTMENT MAY BE NECESSARY WHEN RUNNING APPLICATOR IN THE FIELD.
  - SEE APPROPRIATE APPLICATOR LOG SHEETS FOR APPLIED TERMINALS, WIRE RANGE AND MEMORY CHIP.
  - TERMINAL LUBRICANT IS RECOMMENDED.
7. UNLESS SPECIFIED OTHERWISE TORQUE VALUES SHALL BE USED PER DOCUMENT 101-35000.

**\*WARNING**  
ON INSTALLATION, SET WIRE DISC TO CRIMP HEIGHT REFERENCE SETTING FOR LARGEST WIRE SIZE. CRIMP HEIGHT REFERENCE SETTINGS GREATER THAN THE VALUE SHOWN MAY CAUSE DAMAGE TO THE CRIMP TOOLING, REFER TO THE INSTRUCTION SHEET FOR PROPER SETUP AND ADJUSTMENTS.

ATLANTIC VERSION  
Shown on sheets 1 of 4 & 2 of 4  
(Pacific version shown on sheets 3 of 4 & 4 of 4)

LOC	DIST	REVISIONS			
		REV	DATE	BY	CHK
A	66	C3	16-OCT-13	RS	LZ
		D	05APR2017	BW	JD
		E	09JAN2018	YY	GB
		F	25MAY2018	LG	JD

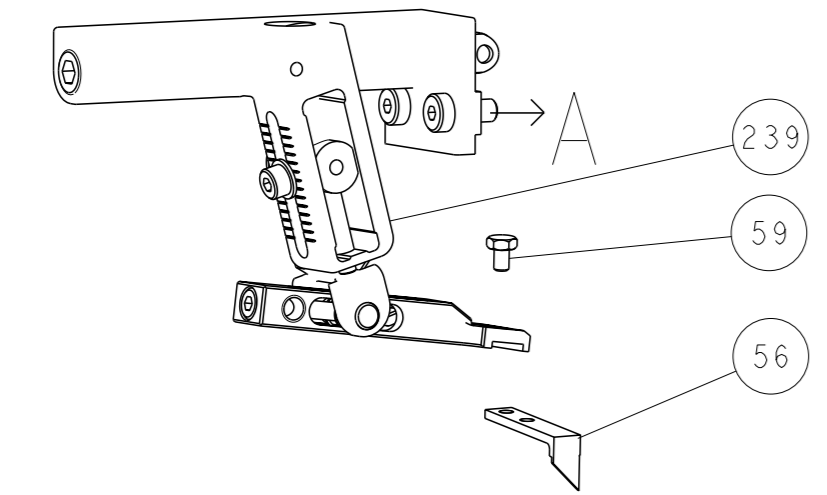
-	-	-	-	1	1	-	-	1803515-3	RAM ASSEMBLY, SF ATLANTIC	293
-	-	-	-	1	1	-	-	2-1803583-1	APPLICATOR BASIC ASSEMBLY, SF	292
-	-	1	-	1	-	1	-	2119640-1	PUSH ROD, AIR FEED	250
-	-	1	-	1	-	1	-	1803259-1	BUSHING, FLANGED	249
-	-	1	-	1	-	1	-	2119641-1	FEED CAM, AIR FEED	248
-	-	1	1	1	1	1	1	2119082-9	CAM, SNAIL, INSULATION ADJUSTMENT	244
-	-	1	1	1	1	1	1	2079764-1	WASHER, WAVE SPRING, CREST-TO-CREST	243
-	-	1	1	1	1	1	1	2119083-1	RETAINER, INSULATION DIAL	242
-	-	1	1	1	1	1	1	7-18023-7	SCR, SKT HD CAP M3 X 4.0	241
-	-	1	-	1	-	1	-	2119580-1	MECHANICAL FEED ASSEMBLY	239
-	-	1	-	1	-	1	-	2063440-1	AIR FEED MODULE	238
-	-	-	-	1	1	-	-	4-1722335-3	STRIPPER, SIDE FEED	182
-	-	-	-	1	1	-	-	1-5018030-0	NUT, HEX, REG, RoHS, M3.5	181
-	-	-	-	1	1	-	-	1-1752354-6	STANDOFF, HOLD-DOWN	180
-	-	-	-	1	1	-	-	993111-1	PIN, SLOTTED SPRING 3.0 X 20.0	177
-	-	-	-	1	1	-	-	5-22280-0	SPRING, COMPRESSION	176
-	-	-	-	1	1	-	-	1752353-3	GUIDE PIN, HOLDDOWN	175
-	-	-	-	1	1	-	-	1901680-2	GUIDE PIN, HOLDDOWN	174
-	-	2	-	2	-	2	-	21045-3	RING, RETAIN, EXTERN, 3/16 CRESCENT	172
-	-	REF	REF	REF	REF	REF	REF	994970-2	COUNTER, MAGNETIC	164
-	-	1	-	1	-	1	-	240638-1	SPRING, FEED FINGER	163
-	-	1	-	1	-	1	-	3-23627-7	PIN, RETAIN, GRVD, 3/16 X .854	137
-	-	1	-	1	-	1	-	2119799-1	HOLDER, FEED FINGER, AF	136
-	-	1	1	1	1	1	1	1-18028-2	WASHER, FLAT, REG M4	119
-	-	1	1	1	1	1	1	2119955-1	ASSY, LUBRICATOR, SIDE FEED	113
-	-	1	1	1	1	1	1	2844908-1	SCREW, LOCKING	99
-	-	1	1	1	1	1	1	2844907-1	POST, LOCKING	98
-	-	1	1	1	1	1	1	455888-7	SPACER, CRIMPER	82
1	-	-	-	-	-	-	-	2266116	PRINT, APPLICATOR LOG SHEET	72
-	-	1	1	1	1	1	1	1803607-1	DOCUMENTATION PACKAGE	71
-	-	1	1	1	1	1	1	2119791-9	DEPRESSOR, WIRE	70
-	-	1	1	1	1	1	1	2119740-1	TAG, IDENTIFICATION	67
-	-	2	2	2	2	2	2	2168078-1	SCREW, DRIVE, RH, RoHS, 2 x .188	66
-	-	1	1	1	1	1	1	2168083-2	SCR, SKT HD CAP, RoHS, M4 X 8.0	60
-	-	1	1	1	1	1	1	5-18022-5	SCR, HEX HD CAP, M4 X 6.0	59
-	-	1	1	1	1	1	1	1338685-1	PAWL, FEED	56
-	-	4	4	4	4	4	4	2168083-3	SCR, SKT HD CAP, RoHS, M4 X 12.0	54
-	-	2	2	2	2	2	2	1-2168083-0	SCR, SKT HD CAP, RoHS, M4 X 10	53
-	-	1	1	1	1	1	1	1803382-1	HOLD DOWN, SPRING LOADED	50
-	-	1	2	1	2	1	2	18023-9	SCR, SKT HD CAP M4 X 6.0	49
-	-	-	1	-	1	-	1	2119652-1	FEED CAM, PRE FEED	48
-	-	-	1	-	1	-	1	2119653-1	FEED CAM, POST FEED	47
-	-	1	1	-	1	1	1	1803583-9	APPLICATOR BASIC ASSEMBLY, SF	46
-	-	1	1	-	1	1	1	1803515-1	RAM ASSEMBLY, SF ATLANTIC	44
-	-	1	1	1	1	1	1	1803602-1	SCR, BHSC, RoHS (M8 X 25)	41
-	-	1	1	1	1	1	1	2-1752356-0	SUPPORT, TERMINAL	34
-	-	2	2	2	2	2	2	2079383-5	SCR, BHSC, RoHS (M4 X 20)	33
-	-	2	2	2	2	2	2	2-2844962-8	SPACER, CYLINDRICAL, STRIP GUIDE	30
-	-	1	1	1	1	1	1	2844992-1	ASSEMBLY, STRIP GUIDE	29
-	-	1	1	1	1	1	1	1320928-2	STRIP GUIDE	24
-	-	1	1	-	1	1	1	2168083-2	SCR, SKT HD CAP, RoHS, M4 X 8.0	21
-	-	1	1	-	1	1	1	1-18028-2	WASHER, FLAT, REG M4	20
-	-	1	1	-	1	1	1	2119533-1	STRIPPER, SIDE FEED	19
-	-	1	1	1	1	1	1	2119806-1	INSERT, SHEAR	13
-	-	1	1	1	1	1	1	3-22280-3	SPRING, COMPRESSION	12
-	-	1	1	1	1	1	1	1-356885-4	STOP, SHEAR	11
-	-	1	1	1	1	1	1	2119805-1	SHEAR HOLDER, FRONT	10
-	-	1	1	1	1	1	1	1803095-1	FLOATING SHEAR, FRONT	9
1	1	2	2	1	1	1	1	1-1803293-2	ANVIL, COMBINATION DEUTSCH STYLE	8
-	-	-	-	-	-	-	-	-	-	7
-	-	-	-	-	-	-	-	-	-	6
-	-	1	1	1	1	1	1	2119757-3	DEPRESSOR, SHEAR	5
-	-	1	1	1	1	1	1	238011-9	BLOCK, CRIMPER SPACER	4
1	1	2	2	1	1	1	1	1803019-4	CRIMPER, INSULATION O	3
-	-	1	1	1	1	1	1	455888-8	SPACER, CRIMPER	2
-	-	1	2	2	1	1	1	1803364-2	CRIMPER, WIRE PREMIUM	1

DIMENSIONS:	TOLERANCES UNLESS OTHERWISE SPECIFIED:	OWN	CHK	DATE	NAME
mm	0 PLC ±	R. KNEPPER	G. BAILEY	16-OCT-13	Ocean Side Feed Applicator
	1 PLC ±				
	2 PLC ±				
	3 PLC ±				
	4 PLC ±				
	ANGLES FINISH				
MATERIAL					

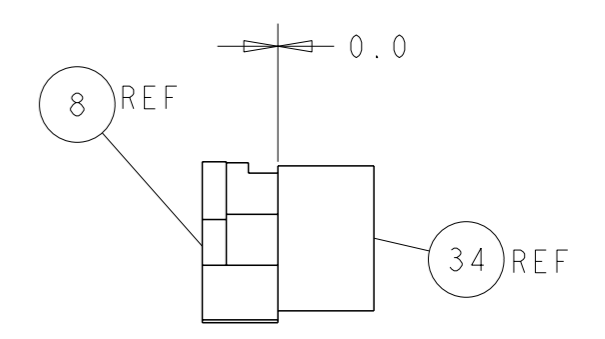
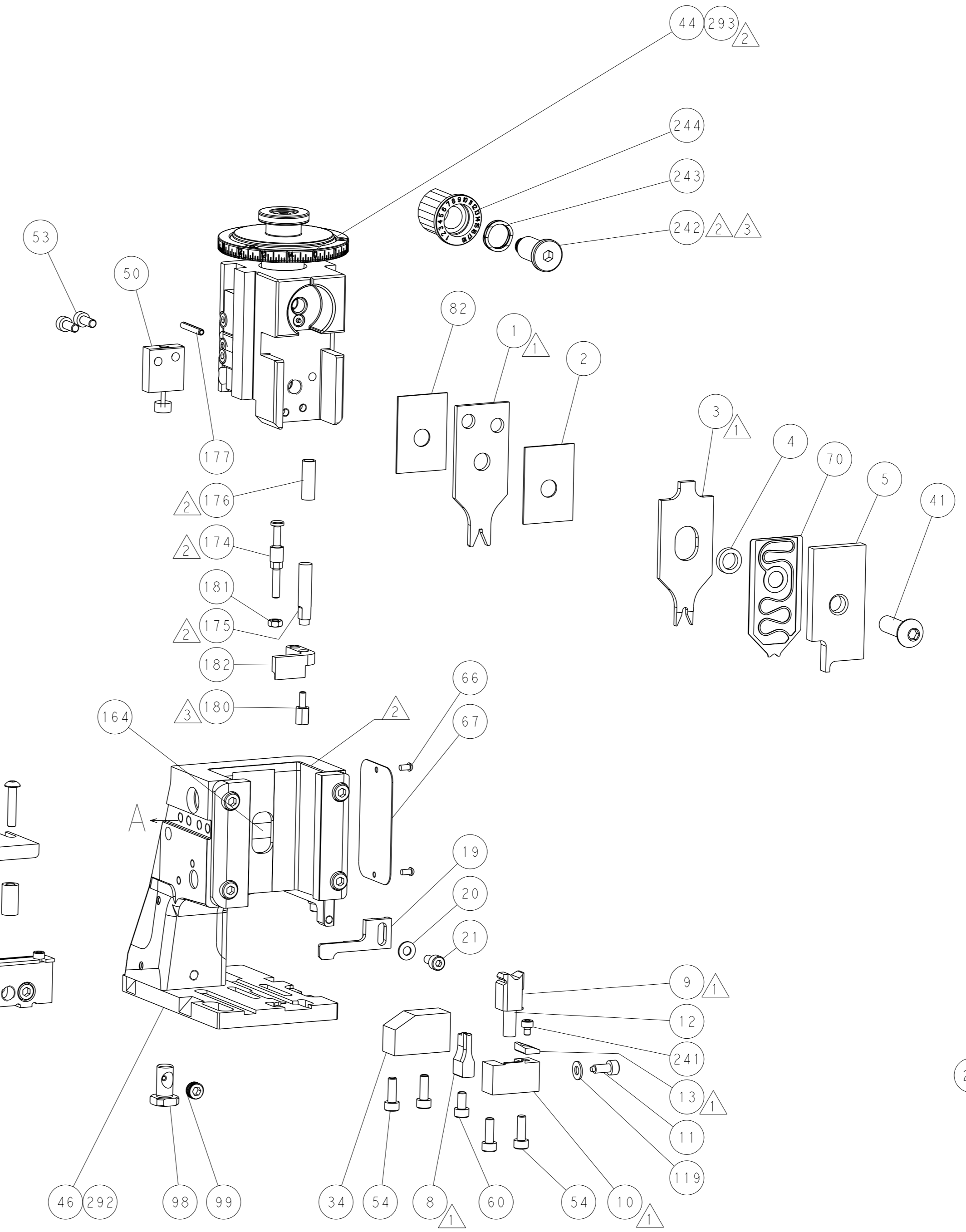
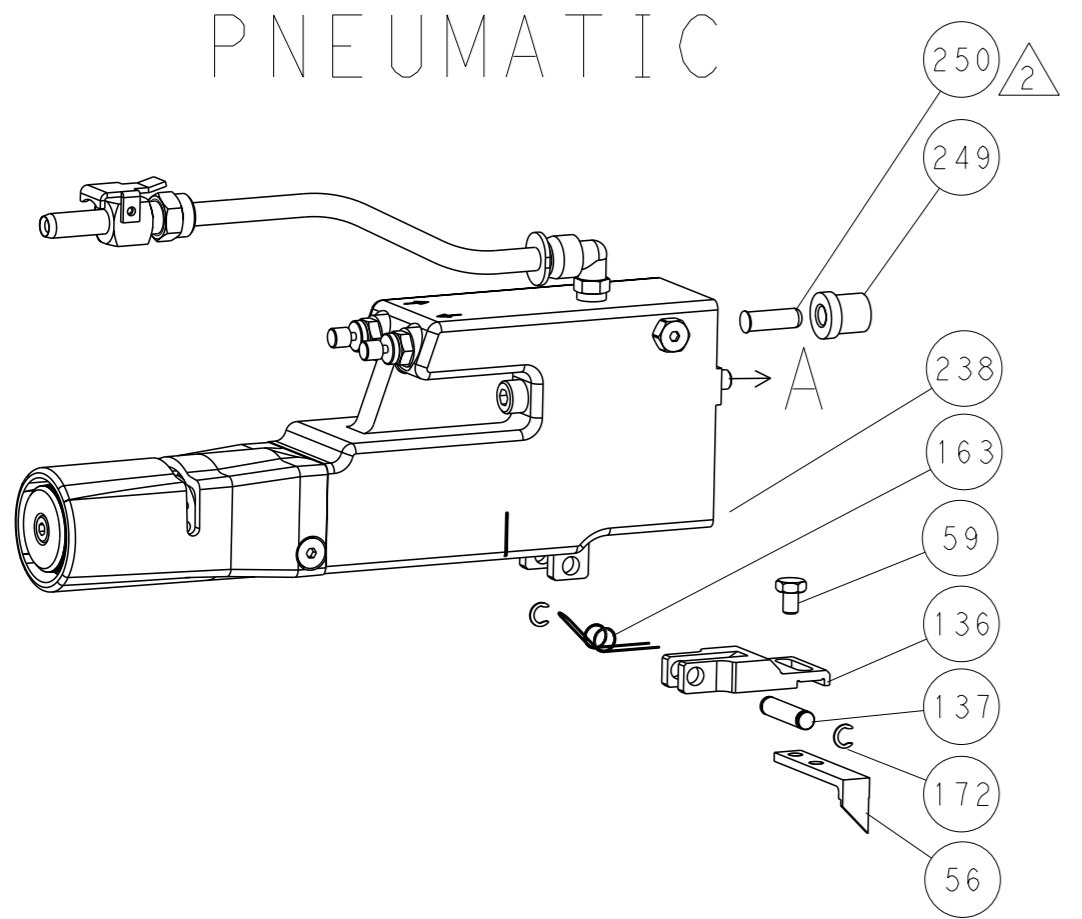
Customer Accessible Production Drawing SCALE 1:2 SHEET 1 OF 4 REV F

LOC	DIST	REVISIONS			
A	66	REV	DATE	OWN	APVD
-	-	SEE SHEET 1	-	-	-

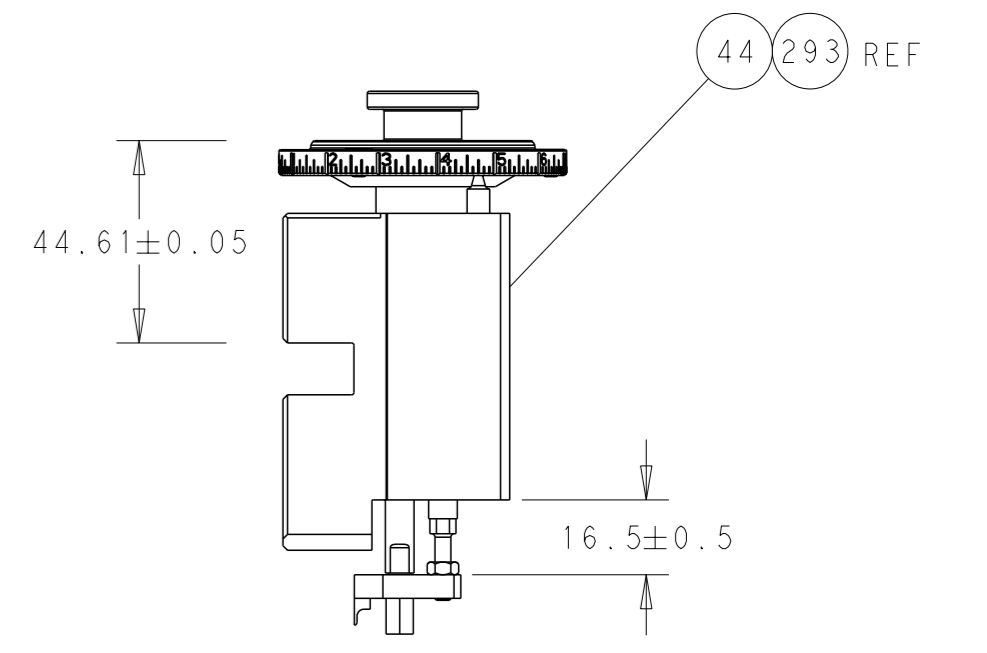
# FEED TYPE MECHANICAL



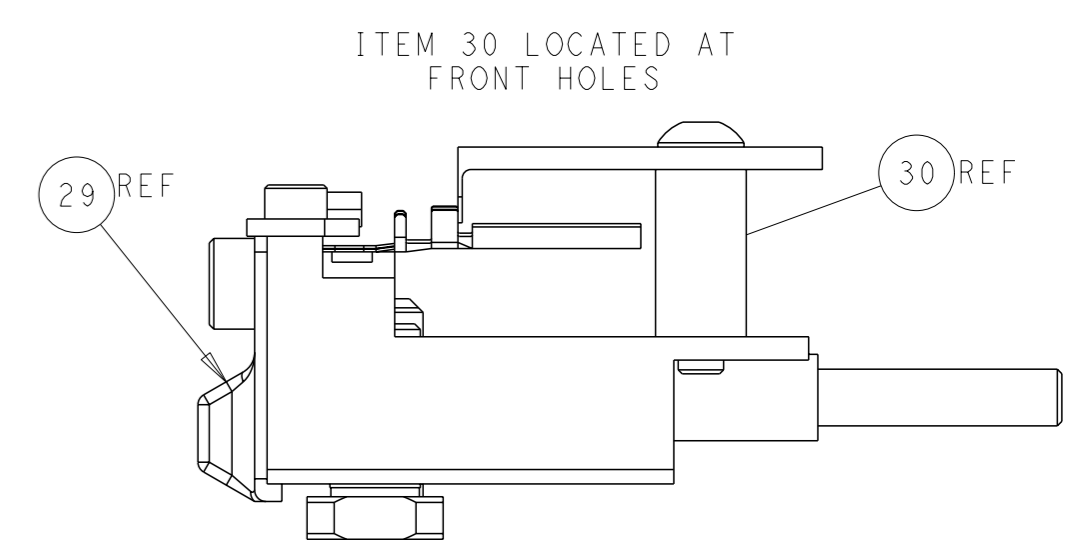
# PNEUMATIC



TERMINAL SUPPORT LOCATION

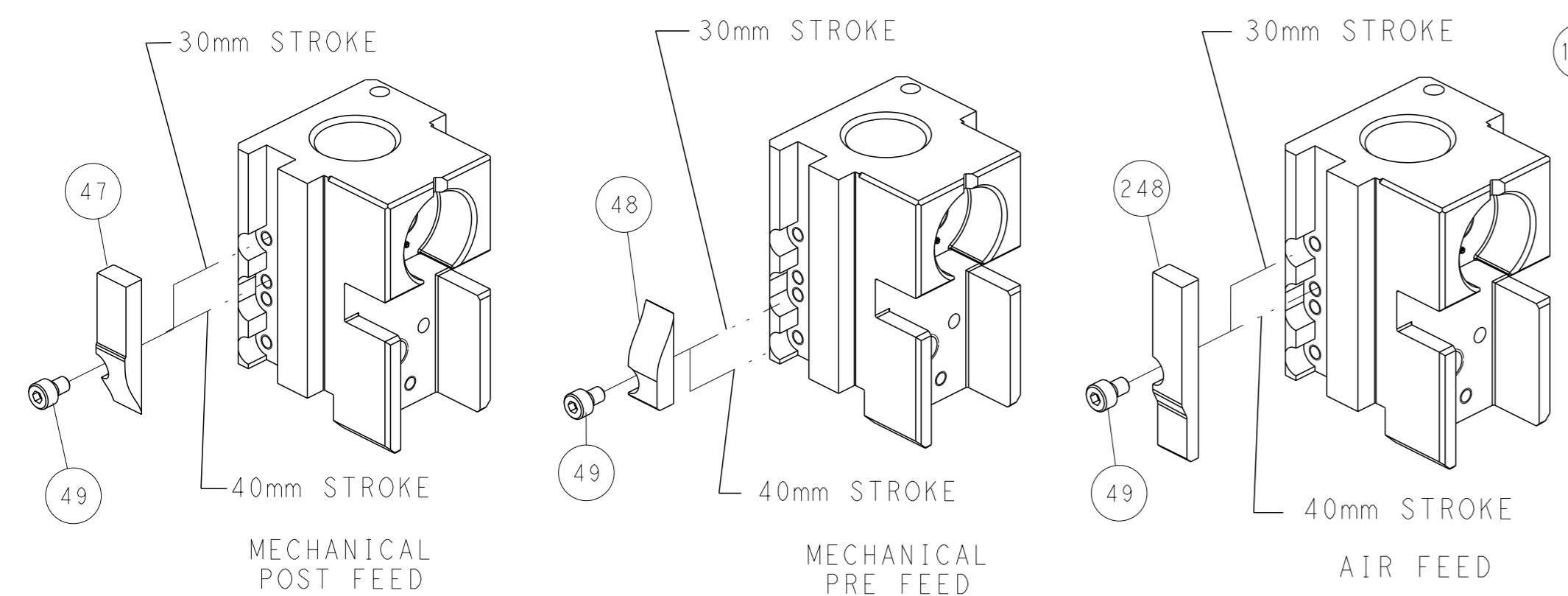


RAM AND HOLDDOWN SET-UP



FEED TRACK POSITION GUIDE BY WIRE BARREL

# CAM POSITIONS

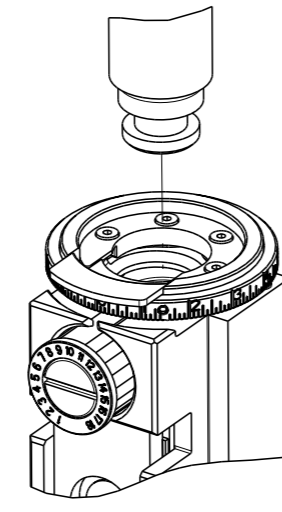


**ATLANTIC VERSION**  
 Shown on sheets 1 of 4 & 2 of 4  
 (Pacific version shown on sheets 3 of 4 & 4 of 4)

<small>THIS DRAWING IS A CONTROLLED DOCUMENT FOR TYCO ELECTRONICS CORPORATION. IT IS SUBJECT TO CHANGE AND THE CONTROL AND ENGINEERING ORGANIZATION SHOULD BE CONTACTED FOR THE LATEST REVISION.</small>		OWN: R. KNEPPER 16-Oct-13 CHK: G. BAILEY 16-Oct-13 APVD: M. CLIFFORD 16-Oct-13	NAME: Ocean Side Feed Applicator SIZE: A1 CAGE CODE: 00779 DRAWING NO: C=2266116	TE Connectivity Harrisburg, PA 17105-3608
DIMENSIONS: mm TOLERANCES UNLESS OTHERWISE SPECIFIED: 0 PLC ± 1 PLC ± 2 PLC ± 3 PLC ± 4 PLC ± ANGLES FINISH ±	WEIGHT: - SCALE: 1:2 SHEET: 2 of 4 REV: F	RESTRICTED TO: -	Customer Accessible Production Drawing	

PART NUMBER	REVISION	DESCRIPTION	FEED TYPE
2-2266116-1	F	FINE CRIMP HEIGHT ADJUST	MECHANICAL
2-2266116-2	F	FINE CRIMP HEIGHT ADJUST	PNEUMATIC
7-2266116-7	D	CRIMP TOOLING KIT	-
7-2266116-8	D	APPLICATOR CONVERSION KIT	-

PACIFIC VERSION TERMINATOR  
INTERFACE ADAPTER



APPLICATOR DATA		
CRIMP	SIZE	TYPE
WIRE	1.75 mm [.069]	F
INSUL	2.79 mm [.110]	O

APPLICATOR INSTRUCTIONS  
408-35042

APPLICATOR CONVERSION KITS	
PART NUMBER	INSULATION DIAMETER RANGE
7-2266116-8	Ø2.74-3.18mm [.108-.125]
7-2266117-8	Ø2.31-2.72mm [.091-.107]
7-2266118-8	Ø1.91-2.29mm [.075-.090]
7-2266119-8	Ø1.60-2.16mm [.063-.085]
7-2266120-8	Ø1.27-1.57mm [.050-.062]

TERMINAL DATA: DEUTSCH TERMINAL DEUTSCH CRIMP SPECIFICATION			
TERMINAL NAME: STAMPED CONTACT PIN SIZE 20			
WIRE STRIP LENGTH	INSULATION DIAMETER RANGE	TE TERMINAL	DEUTSCH TERMINAL
3.81-5.09 mm [.150-.200 IN]	Ø2.74-3.18 mm [.108-.125 IN]	1572032-1	1060-20-0122
114-151003	-	1572032-2	1060-20-0144
114-151003	-	1572032-7	1060-20-0177

TERMINAL DATA: DEUTSCH TERMINAL DEUTSCH CRIMP SPECIFICATION			
TERMINAL NAME: STAMPED CONTACT SOCKET SIZE 20			
WIRE STRIP LENGTH	INSULATION DIAMETER RANGE	TE TERMINAL	DEUTSCH TERMINAL
3.81-5.09 mm [.150-.200 IN]	Ø2.74-3.18 mm [.108-.125 IN]	286680-1	1062-20-0122
114-151003	-	286680-5	1062-20-0322
114-151003	-	286680-6	1062-20-0377

WIRE SIZE	CRIMP HEIGHT mm [INCH]	CRIMP HEIGHT REFERENCE SETTING
1.50mm2	1.47+0.03/-0.05 [.058+.001/-0.002]	3.4
16 AWG	1.27+0.03/-0.05 [.050+.001/-0.002]	5.4
1.00mm2	1.27+0.03/-0.05 [.050+.001/-0.002]	5.4
18 AWG	1.24+0.03/-0.05 [.049+.001/-0.002]	5.7
0.75mm2	1.22+0.03/-0.05 [.048+.001/-0.002]	5.9
0.60mm2	1.07+0.03/-0.05 [.042+.001/-0.002]	7.4
20 AWG	0.99+0.03/-0.05 [.039+.001/-0.002]	8.2
0.50mm2	0.97+0.03/-0.05 [.038+.001/-0.002]	8.4
22 AWG	0.94+0.03/-0.05 [.037+.001/-0.002]	8.7
0.35mm2	0.94+0.03/-0.05 [.037+.001/-0.002]	8.7

- 1 RECOMMENDED SPARE PARTS
  - 2 REFER TO SUPPLIED INSTRUCTION SHEET FOR CLEANING, LUBRICATION & STORAGE OF APPLICATOR.
  - 3 APPLY PART NUMBER 2-23419-6 LOCTITE TO THREADS OF ITEM 242.
  - 4 CRIMP HEIGHT REFERENCE SETTING WAS THE SETTING USED WHEN THE APPLICATOR WAS QUALIFIED AT THE FACTORY. ADJUSTMENT MAY BE NECESSARY WHEN RUNNING APPLICATOR IN THE FIELD.
  - 5 SEE APPROPRIATE APPLICATOR LOG SHEETS FOR APPLIED TERMINALS, WIRE RANGE AND MEMORY CHIP.
  - 6 TERMINAL LUBRICANT IS RECOMMENDED.
7. UNLESS SPECIFIED OTHERWISE TORQUE VALUES SHALL BE USED PER DOCUMENT 101-35000.

**\*WARNING**  
ON INSTALLATION, SET WIRE DISC TO CRIMP HEIGHT REFERENCE SETTING FOR LARGEST WIRE SIZE. CRIMP HEIGHT REFERENCE SETTINGS GREATER THAN THE VALUE SHOWN MAY CAUSE DAMAGE TO THE CRIMP TOOLING, REFER TO THE INSTRUCTION SHEET FOR PROPER SETUP AND ADJUSTMENTS.

**PACIFIC VERSION**  
Shown on sheets 3 of 4 & 4 of 4  
(Atlantic version shown on sheets 1 of 4 & 2 of 4)

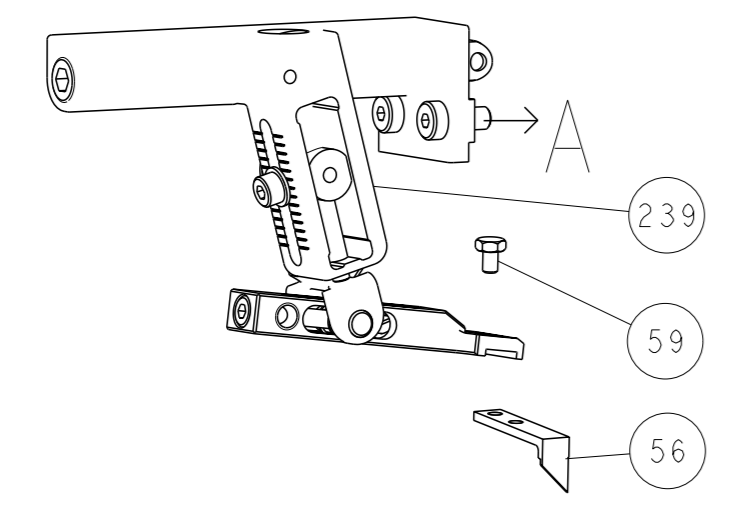
LOC	DIST	REVISIONS					
		P	LY#	DESCRIPTION	DATE	OWN	APVD
A	66	-	-	SEE SHEET 1	-	-	-

-	-	1	-	2119640-1	PUSH ROD, AIR FEED	250
-	-	1	-	1803259-1	BUSHING, FLANGED	249
-	-	1	1	2119082-9	CAM, SNAIL, INSULATION ADJUSTMENT	244
-	-	1	1	2079764-1	WASHER, WAVE SPRING, CREST-TO-CREST	243
-	-	1	1	2119083-1	RETAINER, INSULATION DIAL	242
-	-	1	1	7-18023-7	SCR, SKT HD CAP M3 X 4.0	241
-	-	-	1	2119580-1	MECHANICAL FEED ASSEMBLY	239
-	-	1	-	2063440-1	AIR FEED MODULE	238
-	-	2	-	21045-3	RING, RETAIN, EXTERN, 3/16 CRESCENT	172
-	-	REF	REF	994970-2	COUNTER, MAGNETIC	164
-	-	1	-	240638-1	SPRING, FEED FINGER	163
-	-	1	-	2119641-2	FEED CAM, AIR FEED	151
-	-	1	1	2168083-8	SCR, SKT HD CAP, RoHS, M4 X 16	144
-	-	4	4	2168083-9	SCR, SKT HD CAP, RoHS, M4 X 20	143
-	-	-	1	2119653-2	FEED CAM, POST FEED	142
-	-	1	1	1-1803583-0	APPLICATOR BASIC ASSEMBLY, SF	141
-	-	1	1	1803516-1	RAM ASSEMBLY, SF PACIFIC	140
-	-	1	-	3-23627-7	PIN, RETAIN, GRVD, 3/16 X .854	137
-	-	1	-	2119799-1	HOLDER, FEED FINGER, AF	136
-	-	1	1	1-18028-2	WASHER, FLAT, REG M4	119
-	-	1	1	2119955-1	ASSY, LUBRICATOR, SIDE FEED	113
-	-	1	1	2844908-1	SCREW, LOCKING	99
-	-	1	1	2844907-1	POST, LOCKING	98
-	-	1	1	455888-7	SPACER, CRIMPER	82
1	-	-	-	2266116	PRINT, APPLICATOR LOG SHEET	72
-	-	1	1	1803607-1	DOCUMENTATION PACKAGE	71
-	-	1	1	2119791-9	DEPRESSOR, WIRE	70
-	-	1	1	2119740-1	TAG, IDENTIFICATION	67
-	-	2	2	2168078-1	SCREW, DRIVE, RH, RoHS, 2 x .188	66
-	-	1	1	5-18022-5	SCR, HEX HD CAP, M4 X 6.0	59
-	-	1	1	1338685-1	PAWL, FEED	56
-	-	2	2	1-2168083-0	SCR, SKT HD CAP, RoHS, M4 X 10	53
-	-	1	1	1803382-1	HOLD DOWN, SPRING LOADED	50
-	-	1	2	18023-9	SCR, SKT HD CAP M4 X 6.0	49
-	-	-	1	2119652-1	FEED CAM, PRE FEED	48
-	-	1	1	1803602-1	SCR, BHSC, RoHS (M8 X 25)	41
-	-	1	1	2-1752356-0	SUPPORT, TERMINAL	34
-	-	2	2	2079383-5	SCR, BHSC, RoHS (M4 X 20)	33
-	-	2	2	2-2844962-8	SPACER, CYLINDRICAL, STRIP GUIDE	30
-	-	1	1	2844992-1	ASSEMBLY, STRIP GUIDE	29
-	-	1	1	1320928-2	STRIP GUIDE	24
-	-	1	1	2168083-2	SCR, SKT HD CAP, RoHS, M4 X 8.0	21
-	-	1	1	1-18028-2	WASHER, FLAT, REG M4	20
-	-	1	1	2119533-1	STRIPPER, SIDE FEED	19
-	-	1	1	2119806-1	INSERT, SHEAR	13
-	-	1	1	3-22280-3	SPRING, COMPRESSION	12
-	-	1	1	1-356885-4	STOP, SHEAR	11
-	-	1	1	2119805-1	SHEAR HOLDER, FRONT	10
-	-	1	1	1803095-1	FLOATING SHEAR, FRONT	9
1	1	1	1	1-1803293-2	ANVIL, COMBINATION DEUTSCH STYLE	8
-	-	-	-	-	-	7
-	-	-	-	-	-	6
-	-	1	1	2119757-3	DEPRESSOR, SHEAR	5
-	-	1	1	238011-9	BLOCK, CRIMPER SPACER	4
1	1	1	1	1803019-4	CRIMPER, INSULATION O	3
-	-	1	1	455888-8	SPACER, CRIMPER	2
-	-	1	1	1803364-2	CRIMPER, WIRE PREMIUM	1

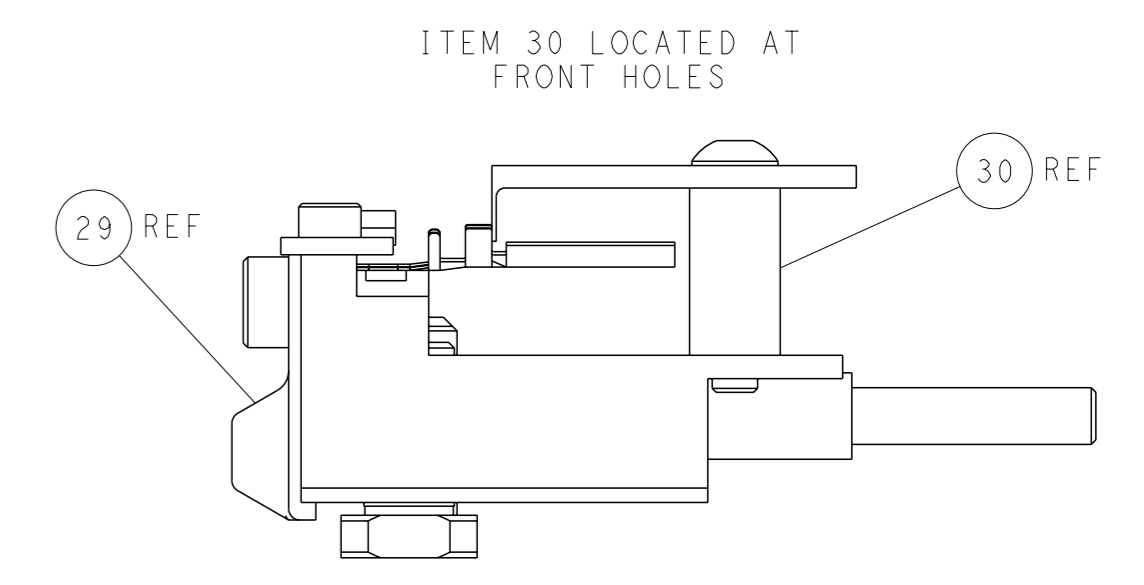
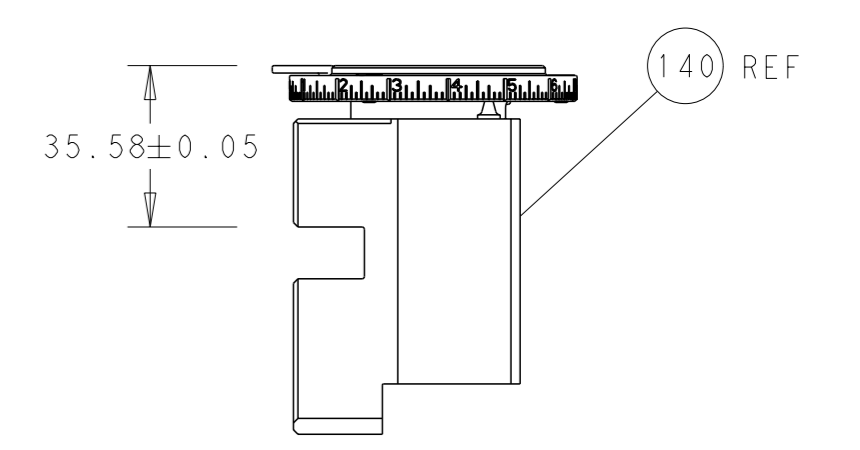
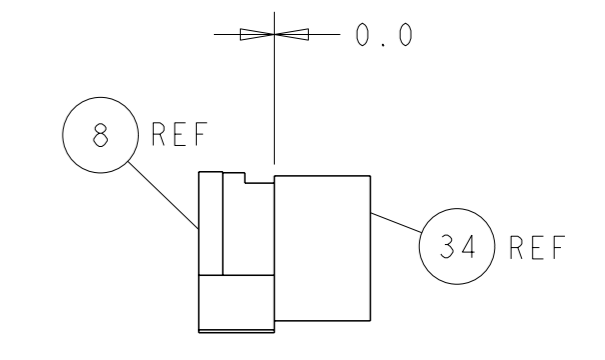
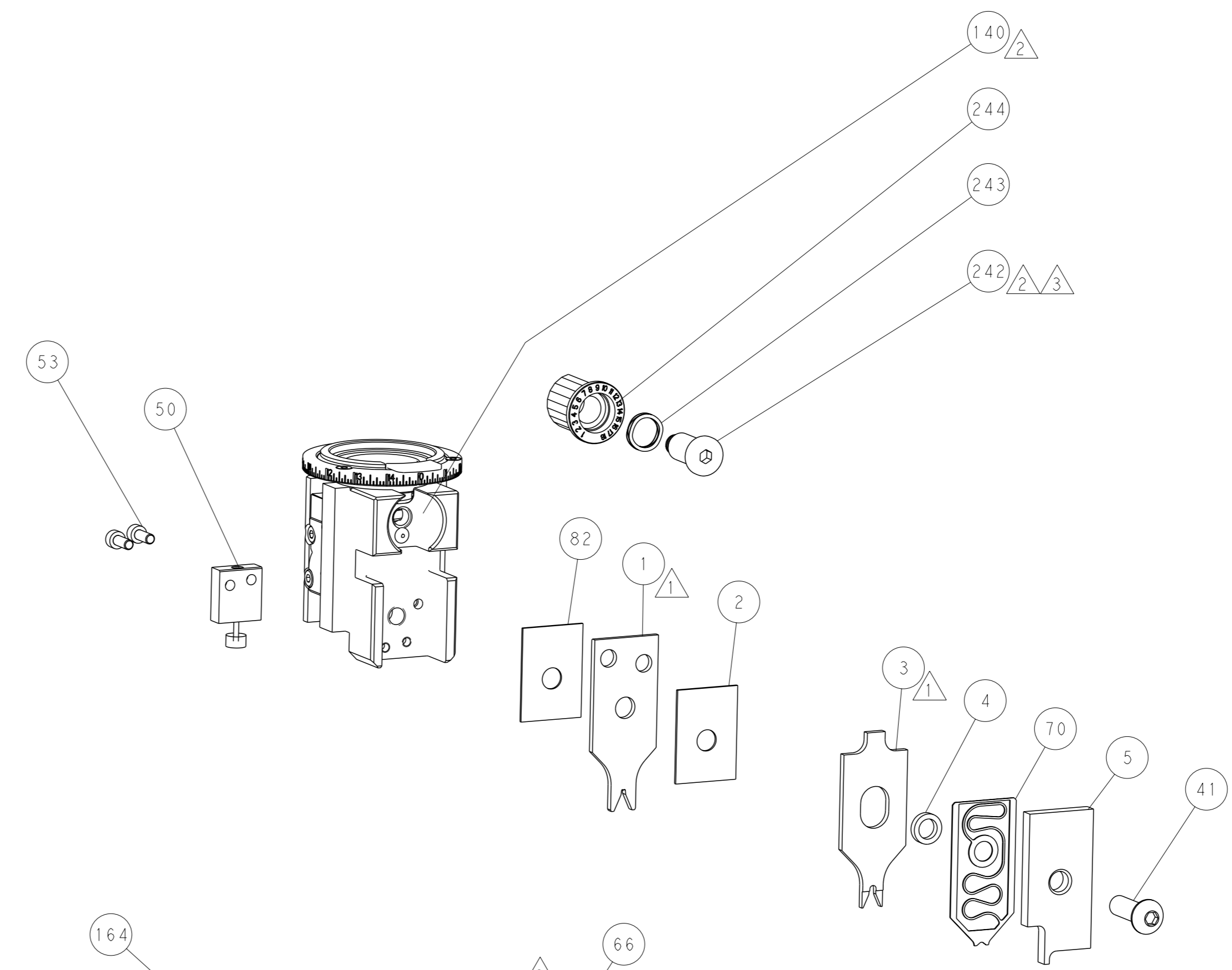
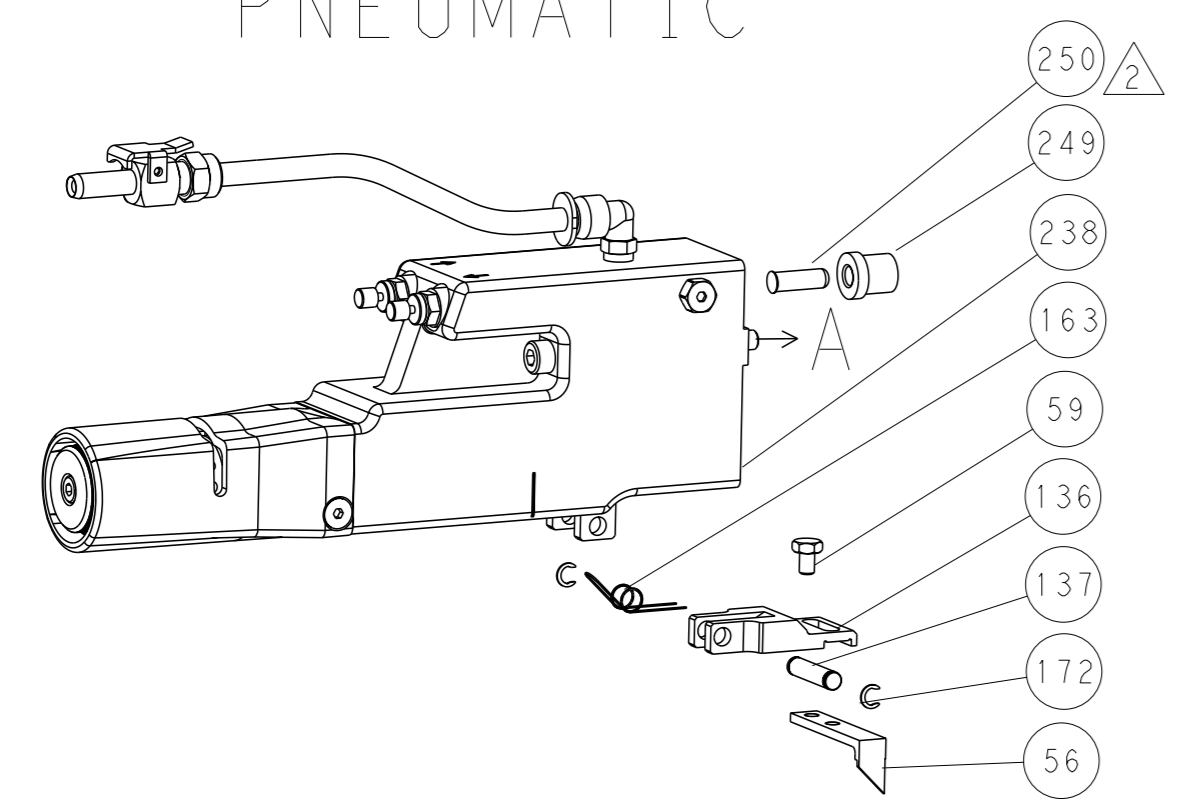
DIMENSIONS:		TOLERANCES UNLESS OTHERWISE SPECIFIED:		OWN	CHK	DATE	NAME	
mm	0 PLC ±	1 PLC ±	2 PLC ±	R. KNEPPER	G. BAILEY	16-Oct-13	Ocean Side Feed Applicator	
	3 PLC ±	4 PLC ±	ANGLES FINISH	M. CLIFFORD		16-Oct-13	Customer Accessible Production Drawing	
MATERIAL							SCALE	SHEET
							1:2	3 of 4

LOC		DIST		REVISIONS			
A	66	P	LYR	DESCRIPTION	DATE	OWN	APVD
		-		SEE SHEET 1	-	-	-

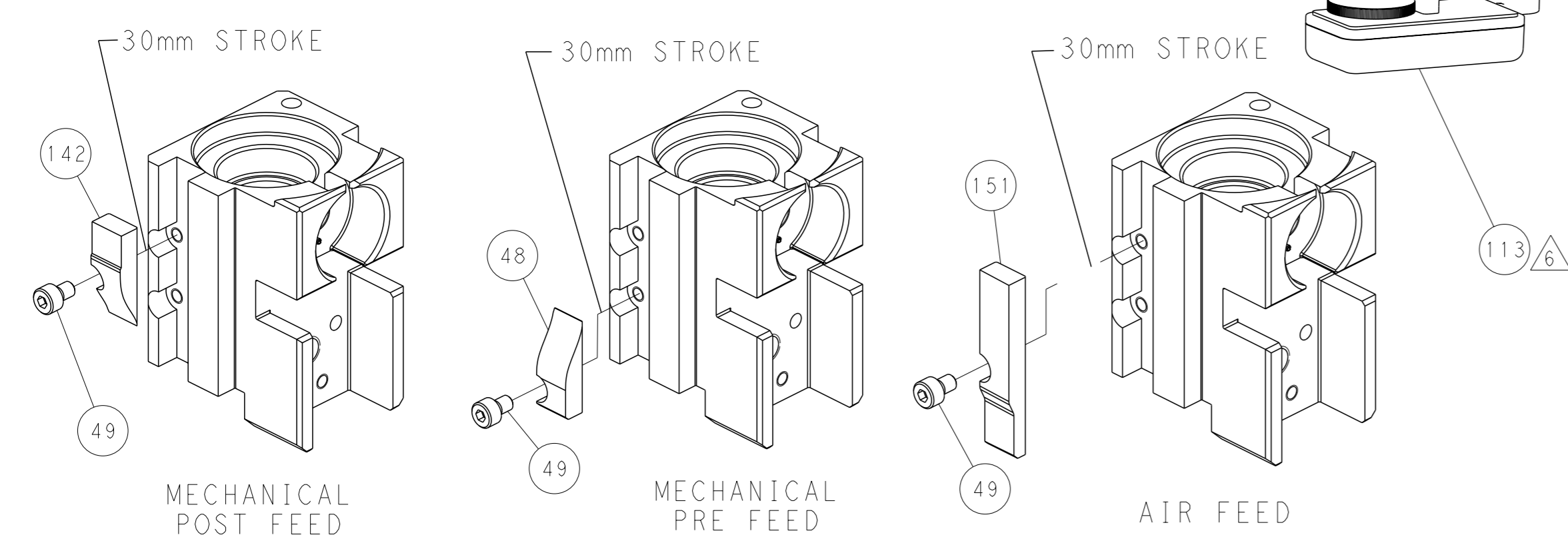
# FEED TYPE MECHANICAL



# PNEUMATIC



# CAM POSITIONS



**PACIFIC VERSION**  
 Shown on sheets 3 of 4 & 4 of 4  
 (Atlantic version shown on sheets 1 of 4 & 2 of 4)

<small>THIS DRAWING IS A CONTROLLED DOCUMENT FOR TYCO ELECTRONICS CORPORATION. IT IS SUBJECT TO CHANGE AND THE CONTROLLING ENGINEERING ORGANIZATION SHOULD BE CONTACTED FOR THE LATEST REVISION.</small>		OWN: R. KNEPPER CHK: G. BAILEY APVD: M. CLIFFORD PRODUCT SPEC: - APPLICATION SPEC: - MATERIAL: - FINISH: -	DATE: 16-Oct-13 DATE: 16-Oct-13 DATE: 16-Oct-13 DATE: - DATE: - DATE: - DATE: -	NAME: Ocean Side Feed Applicator SIZE: A1 CAGE CODE: 00779 DRAWING NO: C=2266116 SCALE: 1:2 SHEET: 4 of 4 REV: F	RESTRICTED TO: -
--	--	--	---	--	------------------