

## FC-LCL 2208-121-25A Common Mode Line Filter

### FC-LCL2208-121-25A –Series

Low Primary DCR version

High current carrying capacity

Low profile, AC/DC converter

High frequency DC/DC converter

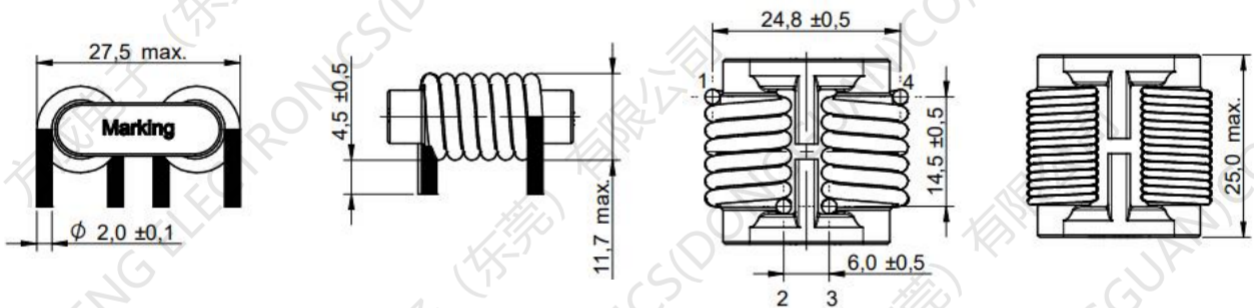
Ambient temperature  $-40^{\circ}\text{C}$  to  $+85^{\circ}\text{C}$

Storage temperature Component:  $-40^{\circ}\text{C}$  to  $+125^{\circ}\text{C}$ .

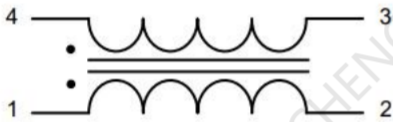
Stable stray inductor for common difference mode differential mode filtering.



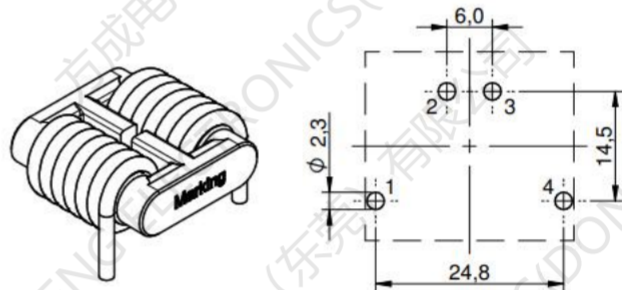
### 1. Dimensions:mm



### 2.Schematic:



### 3.LAYOUT RECOMMENDATION:(mm)



### 4. ELECTRIC CHARACTERICS

Part Number	Turns Ration	Inductance (uH)	LK(uH) Typ.(4-3 short)	RDC (m $\Omega$ )MAX	Rated Current (A)
				1-2 4-3	
FC-LCL2208-121-25A-LF	1:1	120 $\pm$ 40%	4.1	1.4	25.0

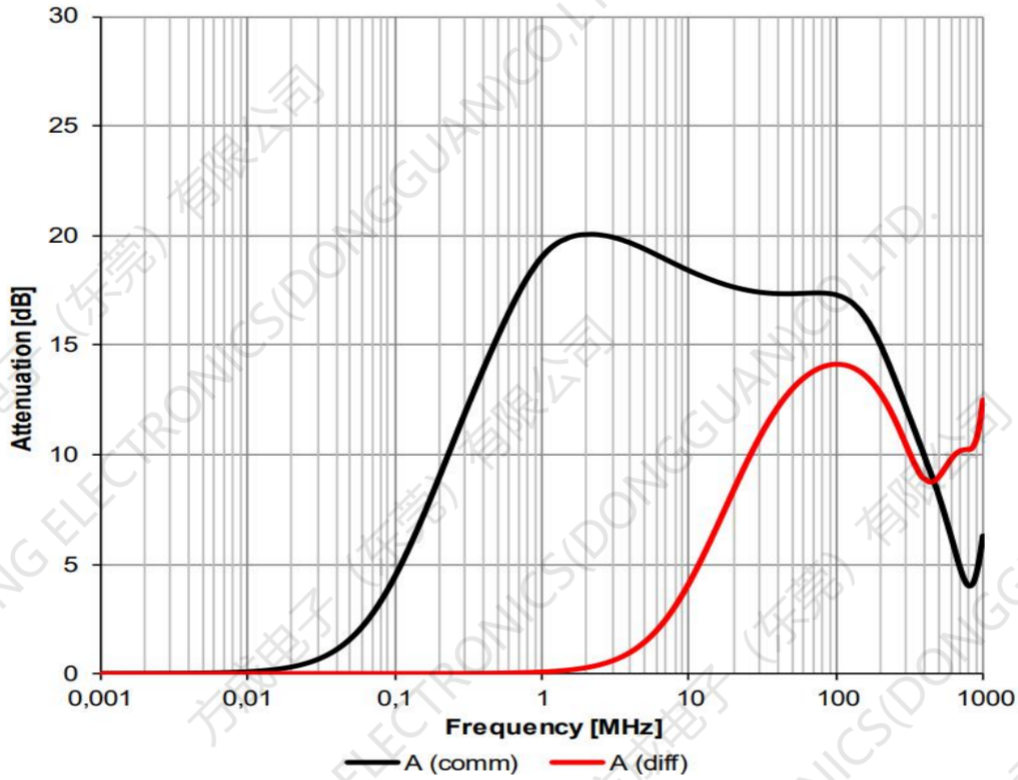
Electrical Specifications @ 25°C — Operating Temperature  $-40^{\circ}\text{C}$  to  $+125^{\circ}\text{C}$ .

Test equipment : Inductance 100KHZ/0.1V

Rated voltage :250V、 AC; Hi-Pot ( N1-N2 ): 1500 Vac / 60 Hz , 5 mA / 3sec

**FC-LCL 2208-121-25A Common Mode Line Filter**

5. Typical Insertion Loss:



6. Typical Impedance Characteristics:

