

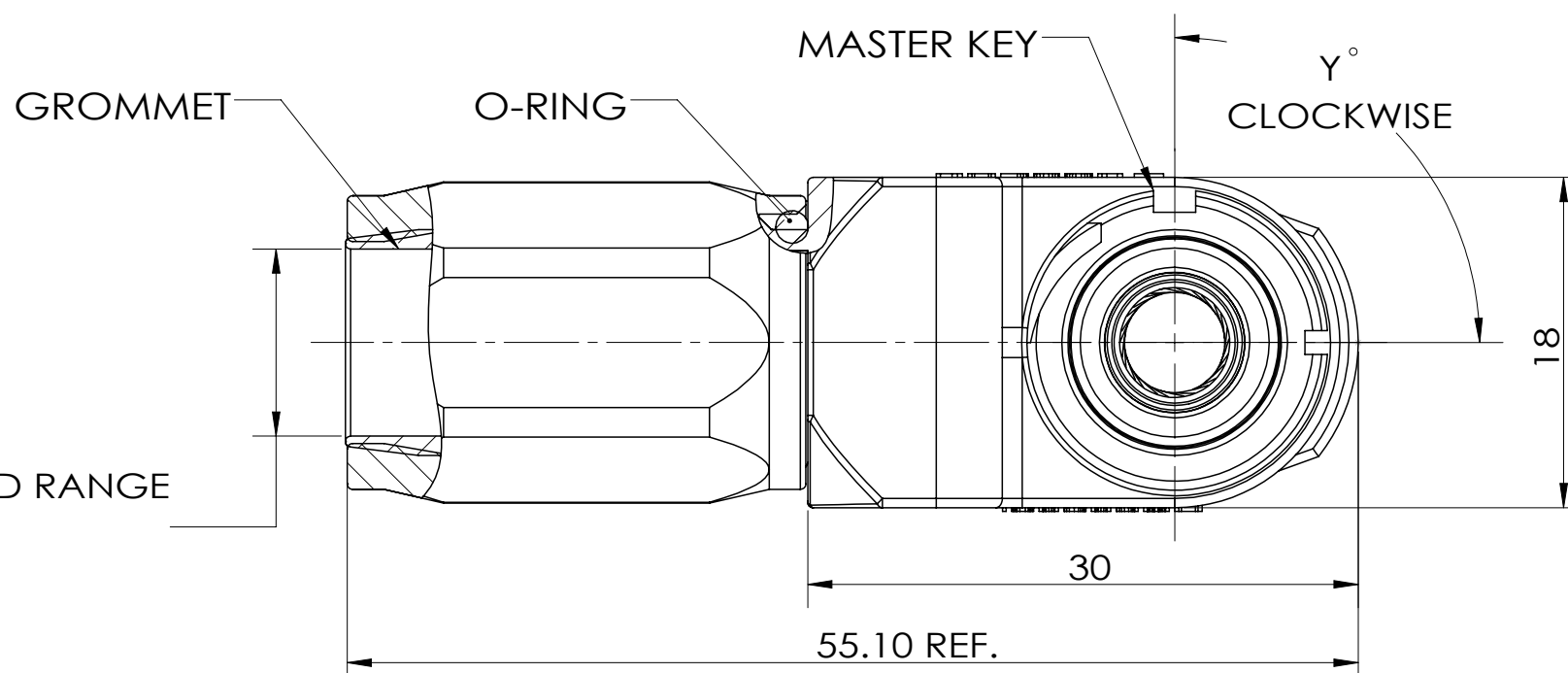
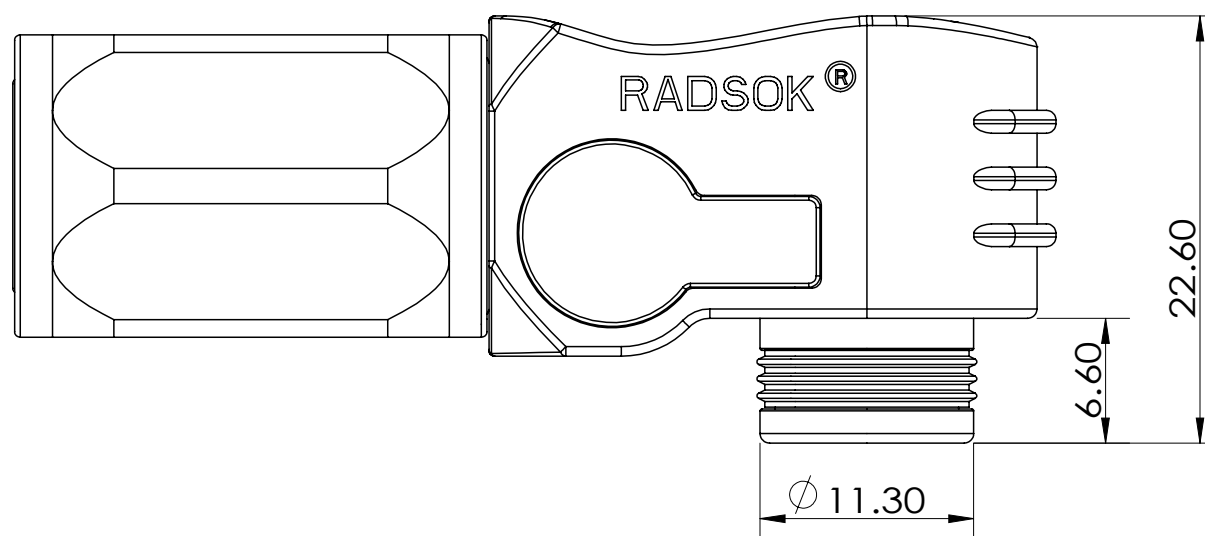
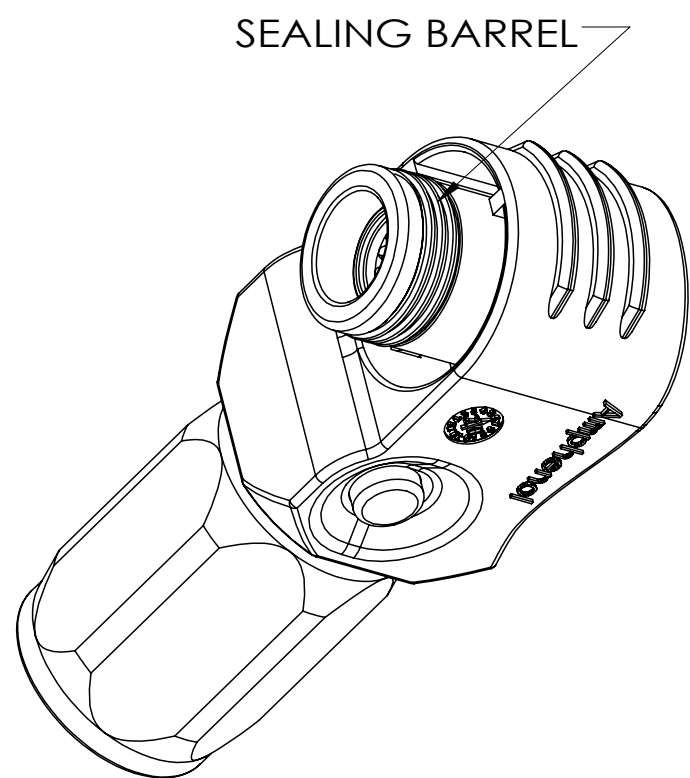
GENERAL TOLERANCE

DIM.RANGE	0 - 3	>3-6	>6-30	>30-120	>120-400
TOLERANCE	±0.1	±0.1	±0.2	±0.3	±0.5

CUSTOMER DRAWING



REVISION		
REV.	DESCRIPTION	DATE
E	UPDATE TEMP.AND CABLE RANGE	2016-11-11
F	CHANGE WIDTH OF BUTTON SLOT	2017-03-24
G	UPDATE CABLE RANGE	2017-04-26
H	UPDATE SPECIFICATIONS TABLE CORRECT OPERATING TEMPERATURE	2020-01-16
I	1.UPDATE NOTE 2 2.ADD DATE CODE	2020-10-27



RECOMMENDED CABLE OD RANGE
 Ø 10.2±0.2 FOR 25 SQMM
 Ø 8.10±0.2 FOR 16 SQMM

MFG NUMBER: C10-730186-() () () ()

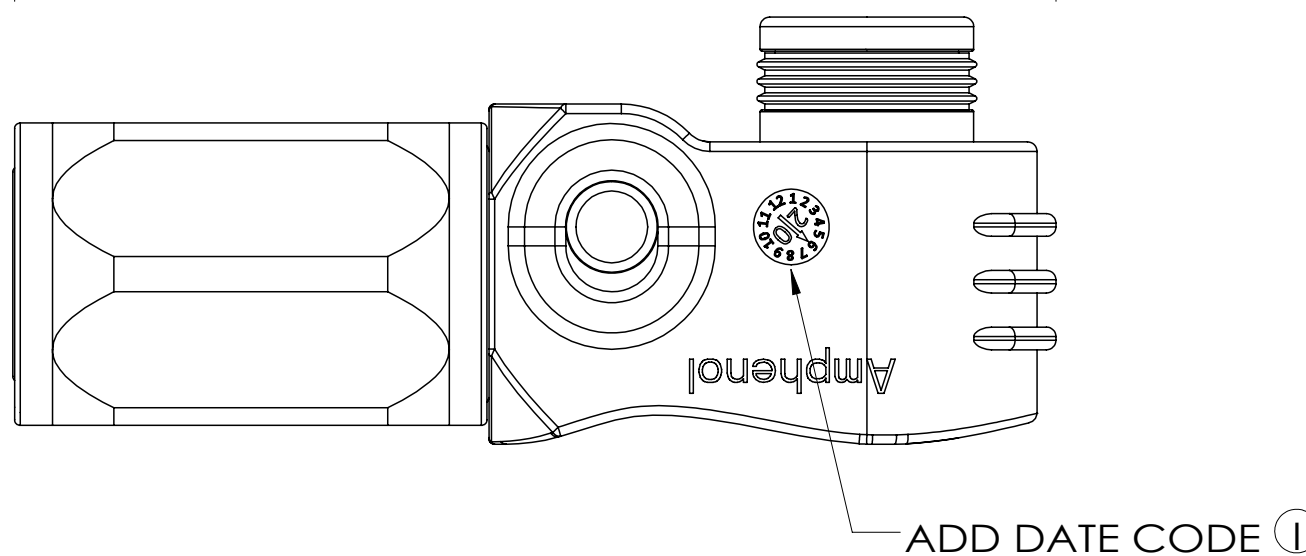
COLOR
 WIRE SIZE
 SEALING
 KEYWAY

CODE NUMBER: SLPPA () B () () ()

WIRE SIZE
 SEALING
 COLOR
 KEYWAY

SPECIFICATIONS

CURRENT RATING	100 Amps MAX. FOR 16 SQMM 120 Amps MAX. FOR 25 SQMM
OPERATING VOLTAGE	1000V DC MAX.
OPERATING TEMPERATURE (AMBIENT)	-40°C~+105°C
PROTECTION CLASS	IP67(MATED)
DURABILITY	100 CYCLES MIN.



ITEM	OPTION	CODE NUMBER	MFG NUMBER
COLOR	ORANGE	O	0
	BLACK	B	1
	RED	R	2
WIRE SIZE	25 SQMM CRIMPING	25	0
	16 SQMM CRIMPING	16	3
SEALING	IP67(MATED)	S	0
	NO SEALING	N	1
KEYWAY (Y°)	NO KEYWAY	OMIT	OMIT
	90°	0	0
	180°	1	1
	60°	2	2
	120°	3	3
	150°	4	4

3. 16SQMM WIRE CRIMP PLUG USES THE SAME CRIMP DIE AS 25SQMM, SUPPLIED WITH A PRE-ASSEMBLED CRIMP REDUCER OF 16SQMM.

2. FOR NO SEALING OPTION, SEALING BARREL,O-RING AND GROMMET ARE NOT THE PARTS OF ASSEMBLY. ①

1. THE REFERENCED PRODUCT SHALL BE COMPLIANT TO RoHS DIRECTIVE.

NOTES:

THIS DOCUMENT CONTAINS PROPRIETARY INFORMATION AND SUCH INFORMATION MAY NOT BE DISCLOSED TO OTHERS FOR ANY PURPOSE OR USED FOR MANUFACTURING PURPOSES WITHOUT WRITTEN PERMISSION FROM THE AMPHENOL CORP.

UNLESS OTHERWISE SPECIFIED		APPROVALS		DATE
LINEAR DIMENSIONS ARE IN: MILLIMETERS TOLERANCES: ANGLES= ±2° DEFAULT LINEAR TOLERANCES SEE TABLE		PREPARED BY:	ROCK YANG	2016-04-25
DIM. & TOL. PER ASME Y14.5M-1994; DRM PER MIL-DTL-31000; OTHER AMPHENOL STANDARDS: 9-3800		ENGINEER IN CHANGE:	SEVEN XIE	
LEGENDS: =FLAG NOTE CALL OUT REFERENCE		DESIGN MANAGER:	ROB WENG	
THIRD ANGLE PROJECTION		PRODUCT GROUP:	C&I	
		AIPG DIVISION:		
		MATERIAL SPEC	PROCESS SPEC	
		N/A	N/A	

AMPHENOL INDUSTRIAL OPERATIONS

Amphenol Technology(Zhuhai)Co.,Ltd
 No.63, Xinghan Road, Sanzao Town, Jinwan, Zhuhai, PRC

5.7MM SURLOK PLUS PLUG
RIGHT ANGLE TYPE

SIZE	CAGE CODE	DOCUMENT NUMBER	REV
C	77820	10-730186-()	I
SCALE: 2.5:1		REF: N/A	SHEET 1 OF 1