

63632-1 ✓ ACTIVE

MAG-MATE | MAG-MATE 300

TE Internal #: 63632-1

Poke-In, Special, .36 – .57 mm Magnet Wire, 27 – 23 AWG Magnet Wire, Insulation Displacement (IDC), Tin Plating, MAG-MATE 300, Magnet Wire Terminals

[View on TE.com >](#)



Terminals & Splices > Magnet Wire Terminals



Magnet Wire Terminal Type: **Poke-In**

Compatible With Cavity Size: **Special**

Magnet Wire Size: **.36 – .57 mm**

Termination Method to Wire & Cable: **Insulation Displacement (IDC)**

## Features

### Product Type Features

Compatible With Discrete Wire Type	Magnet Wire, Solid
------------------------------------	--------------------

### Body Features

Compatible With Cavity Size	Special
-----------------------------	---------

### Contact Features

Magnet Wire Terminal Type	Poke-In
---------------------------	---------

Terminal Plating Material	Tin
---------------------------	-----

Terminal Orientation	Twisted
----------------------	---------

### Termination Features

Termination Method to Wire & Cable	Insulation Displacement (IDC)
------------------------------------	-------------------------------

### Dimensions

Terminal Height	7.62 mm[.3 in]
-----------------	----------------

Magnet Wire Size	.36 – .57 mm
------------------	--------------

Product Length	7.87 mm[.309 in]
----------------	------------------

### Usage Conditions



Insulation Option	Uninsulated
Operating Temperature Range	-65 – 150 °C[-85 – 302 °F]

### Operation/Application

Compatible With Wire Base Material	Aluminum, Copper
------------------------------------	------------------

### Identification Marking

Identification Number	10
-----------------------	----

### Packaging Features

Packaging Quantity	4000
Packaging Method	Reel, Reel/Carton

### Product Compliance

For compliance documentation, visit the product page on [TE.com](https://www.te.com)>

EU RoHS Directive 2011/65/EU	Compliant
EU ELV Directive 2000/53/EC	Compliant
China RoHS 2 Directive MIIT Order No 32, 2016	No Restricted Materials Above Threshold
EU REACH Regulation (EC) No. 1907/2006	Current ECHA Candidate List: JUNE 2024 (241) Candidate List Declared Against: JUNE 2024 (241) Does not contain REACH SVHC
Halogen Content	Low Halogen - Br, Cl, F, I < 900 ppm per homogenous material. Also BFR/CFR/PVC Free
Solder Process Capability	Not applicable for solder process capability

#### Product Compliance Disclaimer

This information is provided based on reasonable inquiry of our suppliers and represents our current actual knowledge based on the information they provided. This information is subject to change. The part numbers that TE has identified as EU RoHS compliant have a maximum concentration of 0.1% by weight in homogenous materials for lead, hexavalent chromium, mercury, PBB, PBDE, DBP, BBP, DEHP, DIBP, and 0.01% for cadmium, or qualify for an exemption to these limits as defined in the Annexes of Directive 2011/65/EU (RoHS2). Finished electrical and electronic equipment products will be CE marked as required by Directive 2011/65/EU. Components may not be CE marked. Additionally, the part numbers that TE has identified as EU ELV compliant have a maximum concentration of 0.1% by weight in homogenous materials for lead, hexavalent chromium, and mercury, and 0.01% for cadmium, or qualify for an exemption to these limits as defined in the Annexes of Directive 2000/53/EC (ELV). Regarding the REACH Regulation, the information TE provides on SVHC in articles for this part number is based on the latest European Chemicals Agency (ECHA) 'Guidance on requirements for substances in articles' posted at this URL: <https://echa.europa.eu/guidance-documents/guidance-on-reach>

### Compatible Parts



TE Part # 62833-1  
MAG-MATE POKE-IN TERM 016TPBR

TE Part # 63658-1  
MAG MATE TERM 25-22 016TPBR

TE Part # 63591-1  
MAG-MATE TERM #20 016TPBR

TE Part # 1742159-1  
TERMINAL,SPLICE, MAG-MATE

TE Part # 62833-2  
MAG-MATE POKE-IN TERM 016TPBR

TE Part # 63789-1  
TERMINAL MAG-MATE POKE-IN TPBR

TE Part # 63044-1  
MAG-MATE TERM 27-23 016 TPBR

TE Part # 62841-1  
MAG-MATE TERM 20-22 016 TPBR

TE Part # 63754-1  
TERM,MAG-MATE 27-23 016TPBR

TE Part # 63975-1  
MAG-MATE TRI SLOT 016 TPBR

TE Part # 62842-1  
MAG-MATE TERM 23-26 016 TPBR

Also in the Series | **MAG-MATE 300**

Magnet Wire Terminals(78)

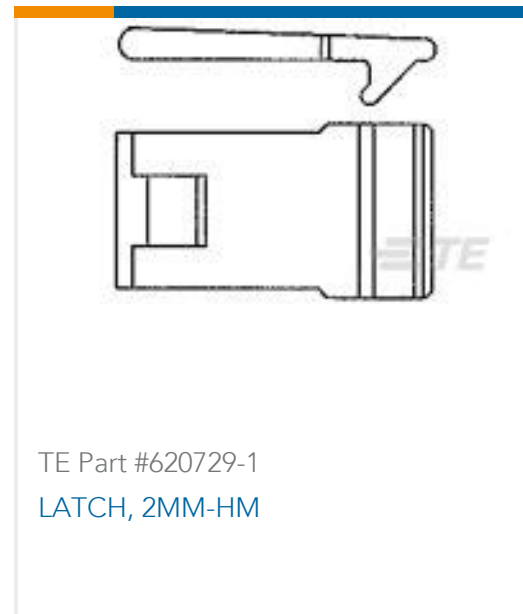
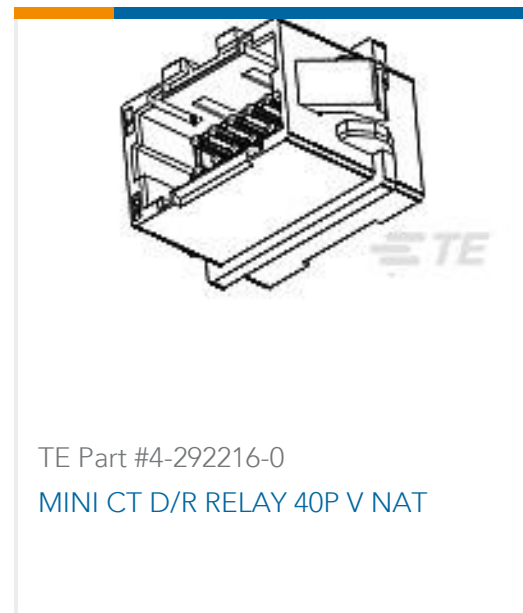
Customers Also Bought

TE Part #4-353294-0  
AMP MINI D/R HDR HSG 40P NATU

TE Part #292184-1  
HYBRID MINI DRAWER REC ASS'Y 6

TE Part #1123907-1  
1.5 MINI CT LATTICE POWER REC

TE Part #6-353080-2  
D5 V-HDR ASSY 2P TAIL LENGTH 4



## Documents

### Product Drawings

#### MAG-MATE TRI SLOT 016TPBR

English

### CAD Files

#### 3D PDF

3D

#### Customer View Model

[ENG\\_CVM\\_CVM\\_63632-1\\_G.2d\\_dxf.zip](#)

English

#### Customer View Model

[ENG\\_CVM\\_CVM\\_63632-1\\_G.3d\\_igs.zip](#)

English

#### Customer View Model

[ENG\\_CVM\\_CVM\\_63632-1\\_G.3d\\_stp.zip](#)

English

By downloading the CAD file I accept and agree to the [Terms and Conditions](#) of use.

### Datasheets & Catalog Pages

#### Magnet Wire Terminals & Splices

English

### Product Specifications

#### Application Specification

English