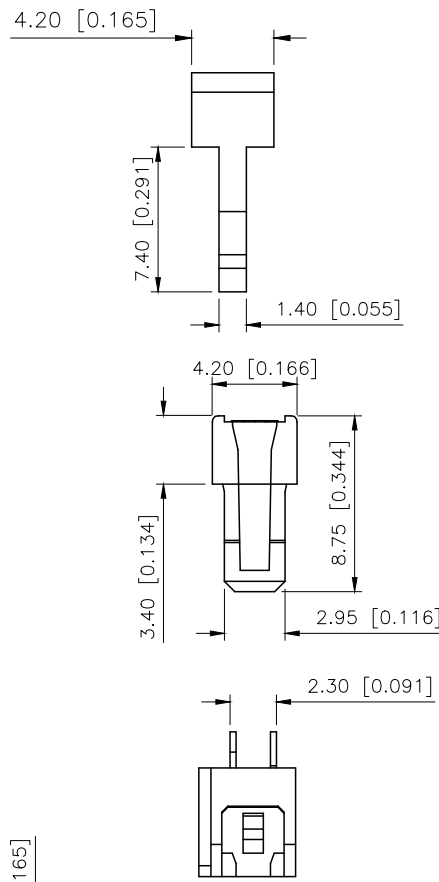
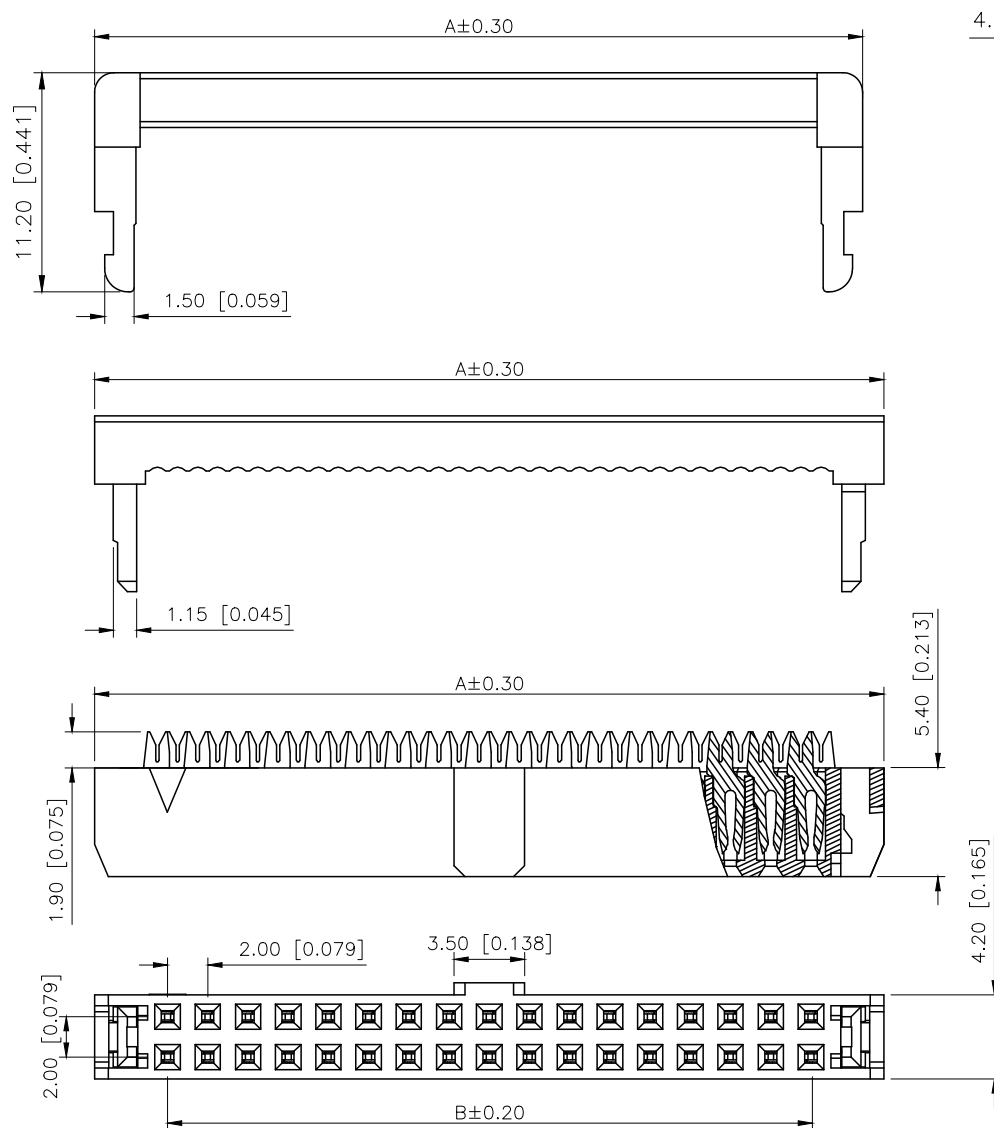


REVISIONS					
REV.	ECN NO.	LOCATION	DESCRIPTION	DATE	DESIGN
A0	N/A		INITIAL RELEASE	/	/
A1	N/A		图面升级整理图面	2024.12.20	阿树



Specifications:
 规格:
 Voltage rating: 250V AC/DC
 额定电压: 250V AC/DC
 Current rating: 1A AC/DC
 额定电流: 1A AC/DC
 Withstanding voltage: 500V AC/minute
 耐受电压: 500V AC/分钟
 Temperature range: -40°C $+$ 125°C
 温度范围: -40°C $+$ 125°C
 Insulation resistance: 1000M Ω min
 绝缘电阻: 1000M Ω Min
 Contact resistance: 20m Ω Max
 接触电阻: 20m Ω Max

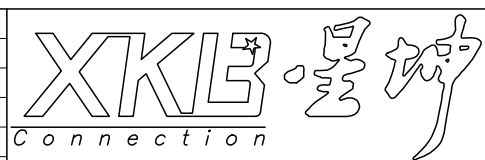
PART NO.:
X2001 HA2 - 2xXX - PT V01
 ① ② ③ ④ ⑤

- ① Series No
- ② Category: HA2—Three piece double contact
- ③ Row No. Pin No: 2xXX—2x03~2x30 Pin
- ④ Material: PT—PBT Glass Fiber UL94V-0
- ⑤ Plating: V01—Gold Flash

Poles	Dimensions		Poles	Dimensions	
	A	B		A	B
2x03	11.20	4.00	2x13	31.20	24.00
2x04	13.20	6.00	2x14	33.20	26.00
2x05	15.20	8.00	2x15	35.20	28.00
2x06	17.20	10.00	2x17	39.20	32.00
2x07	19.20	12.00	2x18	41.20	34.00
2x08	21.20	14.00	2x20	45.20	38.00
2x09	23.20	16.00	2x22	49.20	42.00
2x10	25.20	18.00	2x25	55.20	48.00
2x11	27.20	20.00	2x30	65.20	58.00
2x12	29.20	22.00	/		

X2001HA2-2xXX-PTV01		PBT Glass Fiber	Brass	X2001W
PART NO		Material	Material(Pin)	Suitable XKB Wafer
DESIGN	阿树	VIEW:	MODEL TYPE: 2.0mm IDC Connector	
CHECKED		UNIT: mm/in	PART NO.: X2001HA2-2xXX-PTV01	
APPROVED		SIZE: A4	DWG NO.:	

AuGLAR	$\pm 5^{\circ}$
X.	± 0.40
X.x	± 0.30
X.xx	± 0.20
X.xxx	± 0.15
UNSPECIFIED TOLERANCES	



XKB INDUSTRIAL PRECISION CO., LIMITED