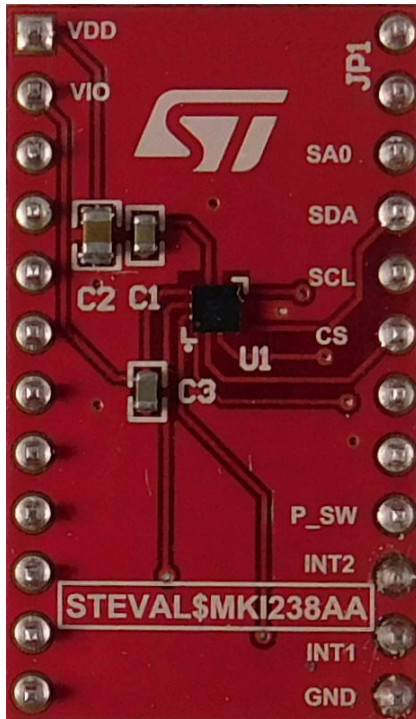


LIS2DUX12 adapter board for a standard DIL24 socket



Features

- Complete LIS2DUX12 pinout for a standard DIL24 socket
- Fully compatible with the STEVAL-MKI109V3 motherboard
- RoHS compliant

Description

The STEVAL-MKI238A is an adapter board designed to facilitate the evaluation of the LIS2DUX12 3-axis smart accelerometer in the MEMS and sensors product portfolio. The board offers an effective solution for fast system prototyping and device evaluation directly within the user's own application. The STEVAL-MKI238A can be plugged into a standard DIL24 socket. It provides the complete LIS2DUX12 pinout and embeds the required decoupling capacitors on the VDD power supply line.

The adapter is supported by the STEVAL-MKI109V3 motherboard, which includes a high-performance 32-bit microcontroller functioning as a bridge between the sensor and a PC.

Another option is to plug the adapter in the X-NUCLEO-IKS01A3 board to develop the proper application.

MEMS-Studio is a complete software solution for the evaluation and programming of all MEMS sensors and it is available for Linux, macOS, and Windows operating systems.

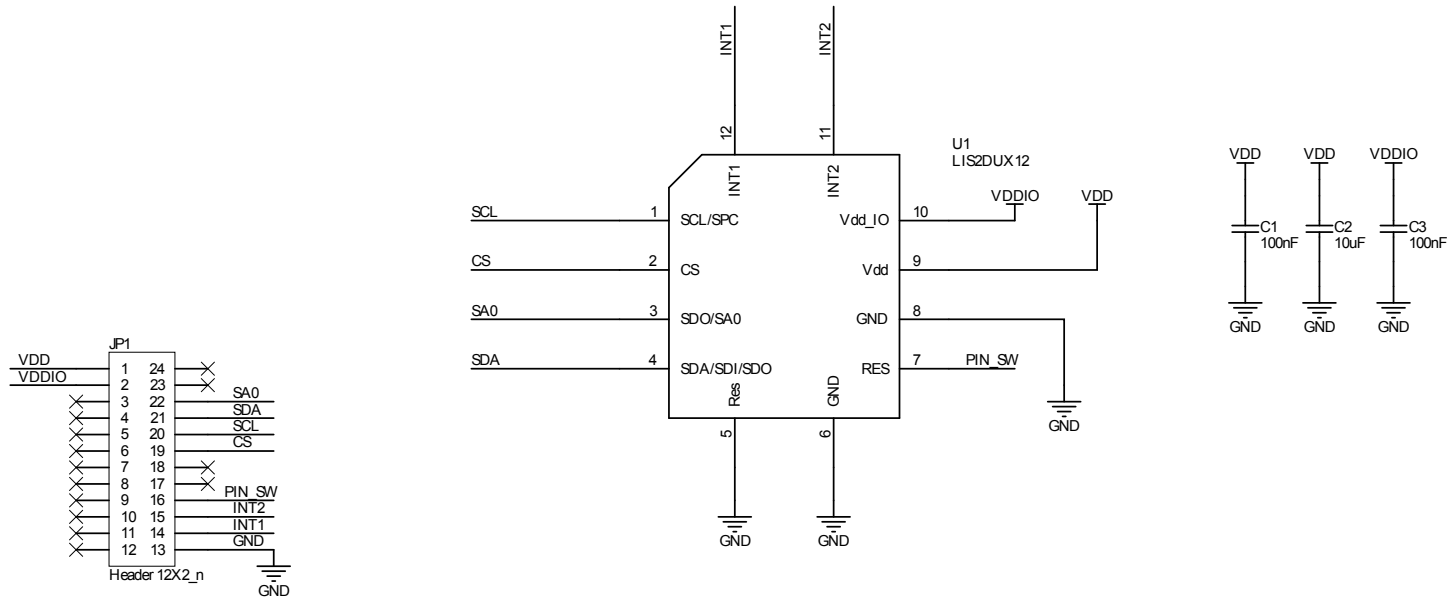
You can also use the downloadable graphical user interface Unico-GUI or dedicated software routines for customized applications.

Product summary

LIS2DUX12 adapter board for a standard DIL24 socket	STEVAL-MKI238A
Ultralow-power 3-axis smart accelerometer with AI, antialiasing filter, and advanced digital features	LIS2DUX12
MEMS adapter motherboard based on the STM32F401VE	STEVAL-MKI109V3
Motion MEMS and environmental sensor expansion board for STM32 Nucleo	X-NUCLEO-IKS01A3
Applications	Wearables

1 Schematic diagrams

Figure 1. STEVAL-MKI238A circuit schematic



2 Board versions

Table 1. STEVAL-MKI238A versions

Finished good	Schematic diagrams	Bill of materials
STEVAL\$MKI238AA ⁽¹⁾	STEVAL\$MKI238AA schematic diagrams	STEVAL\$MKI238AA bill of materials

1. This code identifies the STEVAL-MKI238A evaluation board first version.

Revision history

Table 2. Document revision history

Date	Revision	Changes
19-Jan-2023	1	Initial release
09-May-2024	2	Updated Description to include MEMS-Studio software solution Minor textual updates

IMPORTANT NOTICE – READ CAREFULLY

STMicroelectronics NV and its subsidiaries (“ST”) reserve the right to make changes, corrections, enhancements, modifications, and improvements to ST products and/or to this document at any time without notice. Purchasers should obtain the latest relevant information on ST products before placing orders. ST products are sold pursuant to ST’s terms and conditions of sale in place at the time of order acknowledgment.

Purchasers are solely responsible for the choice, selection, and use of ST products and ST assumes no liability for application assistance or the design of purchasers’ products.

No license, express or implied, to any intellectual property right is granted by ST herein.

Resale of ST products with provisions different from the information set forth herein shall void any warranty granted by ST for such product.

ST and the ST logo are trademarks of ST. For additional information about ST trademarks, refer to www.st.com/trademarks. All other product or service names are the property of their respective owners.

Information in this document supersedes and replaces information previously supplied in any prior versions of this document.

© 2024 STMicroelectronics – All rights reserved