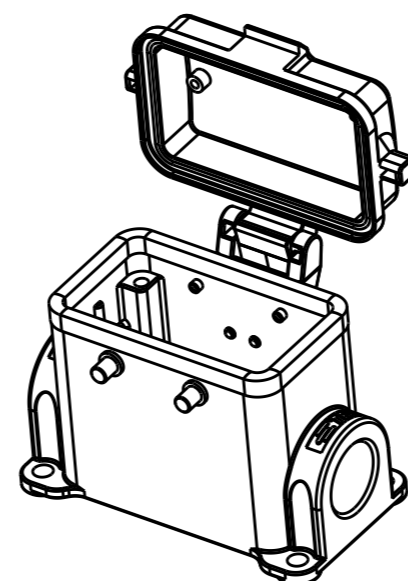
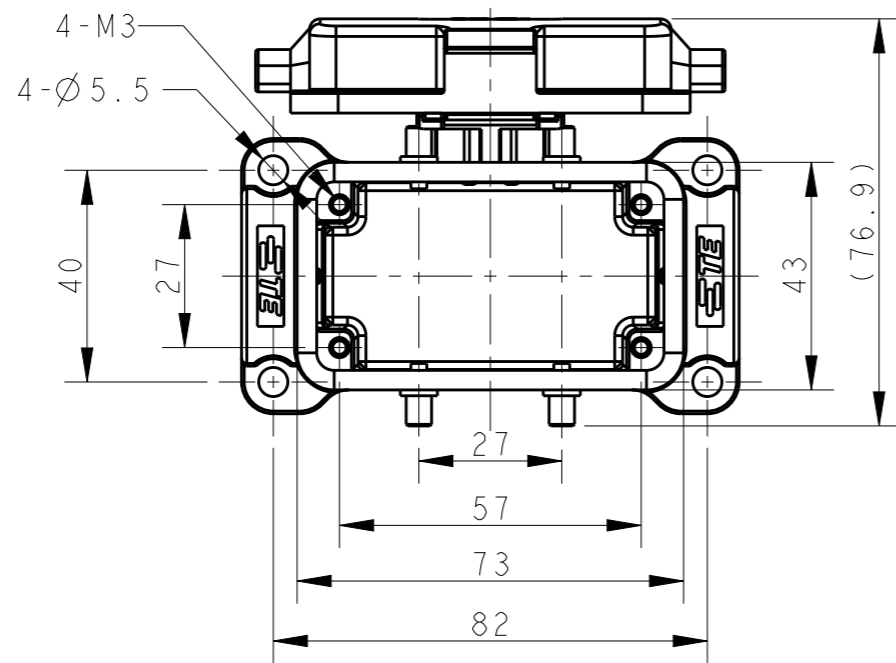


REVISIONS

P	LTR	DESCRIPTION	DATE	DWN	APVD
	A	INITIAL RELEASE	25JUN2015	DL	CW



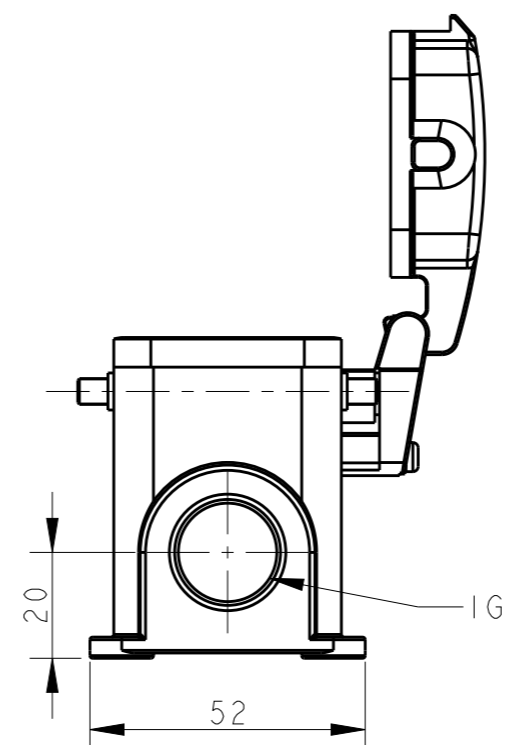
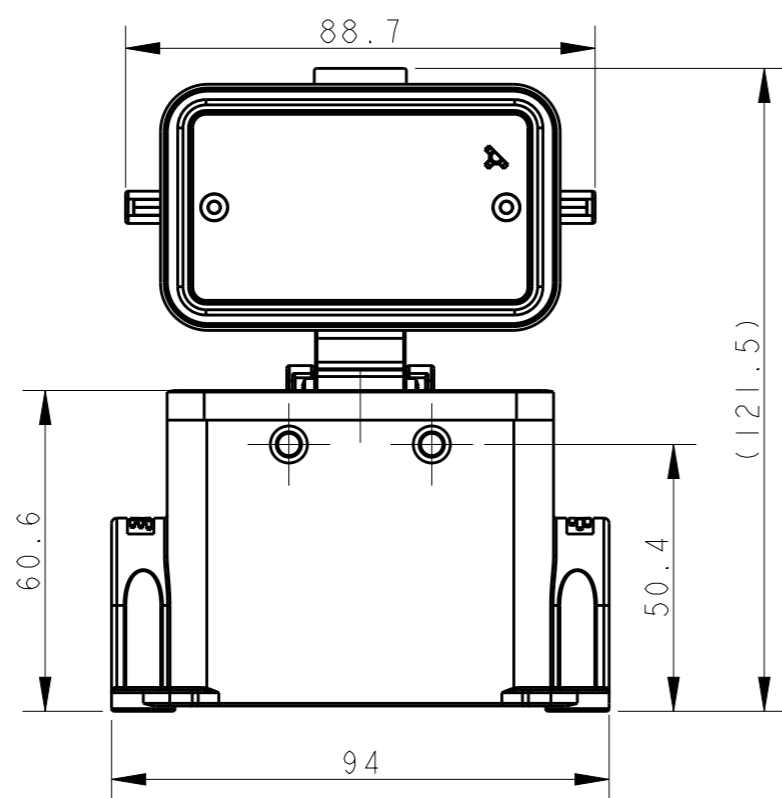
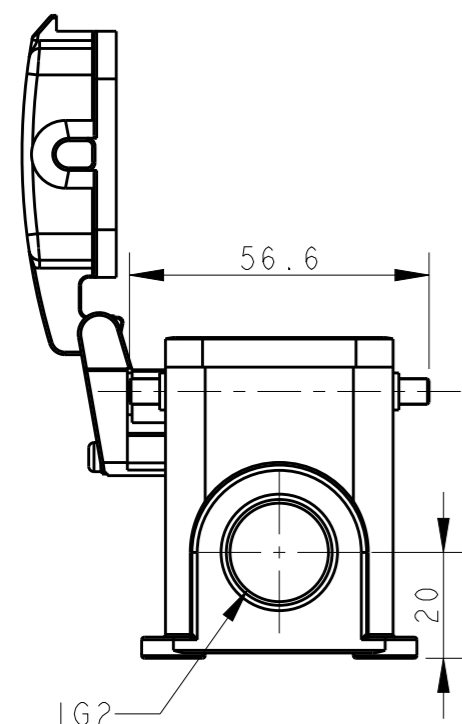
SCALE 1:2

NOTES:

- 1. TECHNICAL CHARACTERISTICS:
 BODY MATERIAL: DIE CAST ALUMINIUM ALLOY
 SURFACE TREATMENT: POWDER-COATED, GRAY
 OPERATION TEMPERATURE: -40-+125°C
 DEGREE OF PROTECTION: IP65 (MATED)

注释:

- 1. 技术参数:
 主体材料: 铝合金
 表面处理: 粉末喷涂, 灰色
 工作温度: -40-+125°C
 防护等级: IP65(配合)



TYPE 1: BODY + PLASTIC PROTECTION COVER

TI460100116-000	TYPE I	H10B-SDR-BO-PG16	PG16	-
TI460100120-000		H10B-SDR-BO-M20	M20	-
TI460100121-000		H10B-SDR-BO-PG21	PG21	-
TI460100125-000		H10B-SDR-BO-M25	M25	-
TI460100216-000		H10B-SDR-BO-2PG16	PG16	PG16
TI460100220-000		H10B-SDR-BO-2M20	M20	M20
TI460100221-000		H10B-SDR-BO-2PG21	PG21	PG21
TI460100225-000		H10B-SDR-BO-2M25	M25	M25
ASSEMBLY PART NUMBER		TYPE	ASSEMBLY PART DESCRIPTION	IG1

THIS DRAWING IS A CONTROLLED DOCUMENT.

DWN 25JUN2015

DAVID LI

CHK 25JUN2015

CHRIS WANG

APVD 25JUN2015

XU XIANG

PRODUCT SPEC

108-137013

APPLICATION SPEC

114-137013

WEIGHT -

CUSTOMER DRAWING



TE Connectivity

NAME H10B-SDR-BO-PG/M

SIZE A3 CAGE CODE - DRAWING NO. ©-TI46010XXXX000 RESTRICTED TO -

SCALE 7:10 SHEET 1 OF 2 REV A

DIMENSIONS:

mm



TOLERANCES UNLESS OTHERWISE SPECIFIED:

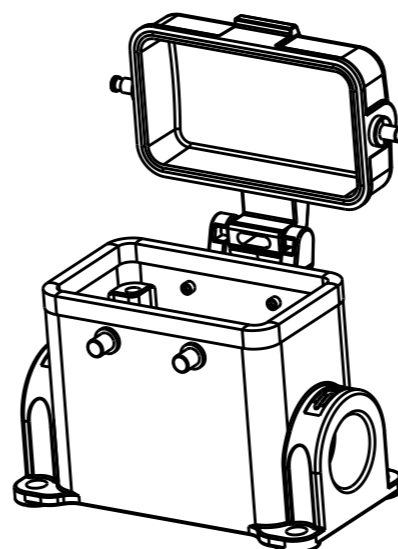
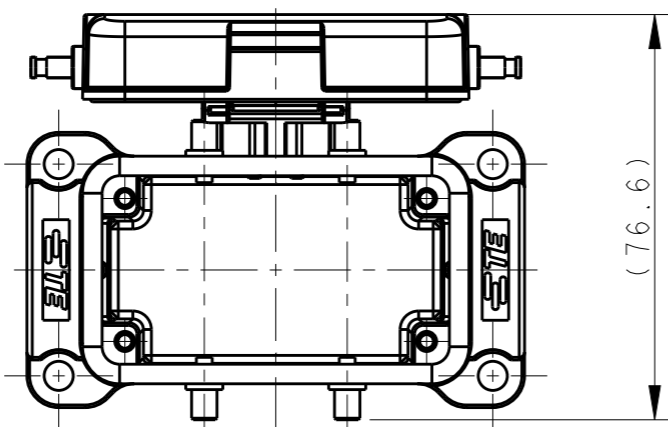
0 PLC	±-
1 PLC	±-
2 PLC	±-
3 PLC	±-
4 PLC	±-
ANGLES	±-
FINISH	-
	-

MATERIAL TBD

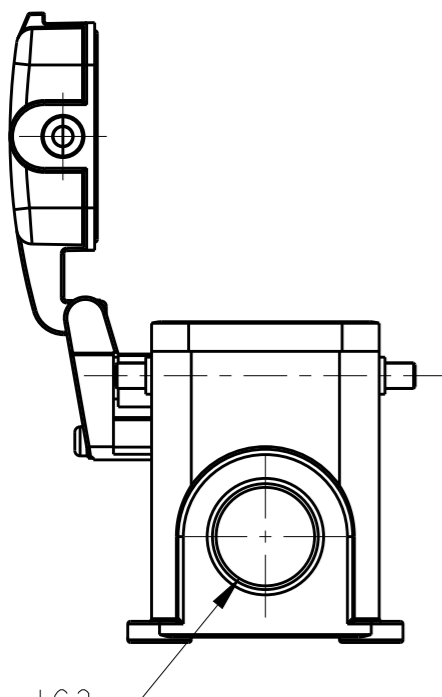
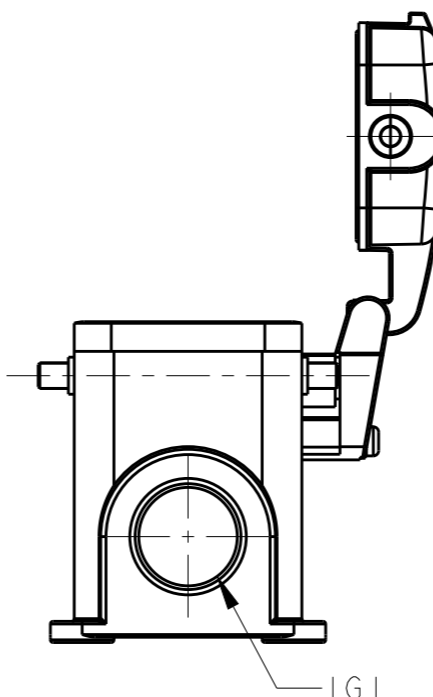
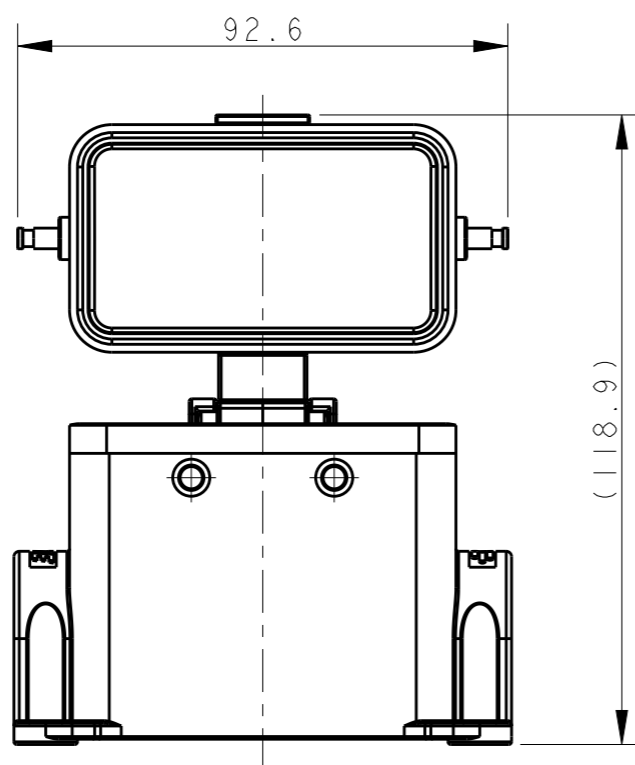
-

REVISIONS

P	LTR	DESCRIPTION	DATE	DWN	APVD
-	-	SEE SHEET 1	-	-	-



SCALE 1:2



IG2

IG1

TYPE 2: BODY + METAL PROTECTION COVER
OTHER SPEC REFER TO TYPE 1

TI460101116-000	TYPE 2	H10B-SDRM-BO-PG16	PG16	-
TI460101120-000		H10B-SDRM-BO-M20	M20	-
TI460101121-000		H10B-SDRM-BO-PG21	PG21	-
TI460101125-000		H10B-SDRM-BO-M25	M25	-
TI460101216-000		H10B-SDRM-BO-2PG16	PG16	PG16
TI460101220-000		H10B-SDRM-BO-2M20	M20	M20
TI460101221-000		H10B-SDRM-BO-2PG21	PG21	PG21
TI460101225-000		H10B-SDRM-BO-2M25	M25	M25
ASSEMBLY PART NUMBER	TYPE	ASSEMBLY PART DESCRIPTION	IG1	IG2

THIS DRAWING IS A CONTROLLED DOCUMENT.		DWN	DAVID LI	25JUN2015	STE TE Connectivity		
DIMENSIONS: mm		CHK	CHRIS WANG	25JUN2015			
TOLERANCES UNLESS OTHERWISE SPECIFIED:		APVD	XU XIANG	25JUN2015			
<ul style="list-style-type: none"> 0 PLC ±- 1 PLC ±- 2 PLC ±- 3 PLC ±- 4 PLC ±- ANGLES ±- 		PRODUCT SPEC	108-137013				
MATERIAL TBD		FINISH	-		NAME	H10B-SDRM-BO-PG/M	
-		FINISH	-		APPLICATION SPEC	114-137013	
-		FINISH	-		WEIGHT	-	
-		FINISH	-		CUSTOMER DRAWING	SCALE	7:10
-		FINISH	-		SIZE	A3	RESTRICTED TO
-		FINISH	-		CAGE CODE	-	DRAWING NO
-		FINISH	-		DRAWING NO	C-TI46010XXXX000	
-		FINISH	-		REVISION	-	
-		FINISH	-		SHEET	2	OF 2
-		FINISH	-		REV	A	

Mouser Electronics

Authorized Distributor

Click to View Pricing, Inventory, Delivery & Lifecycle Information:

[TE Connectivity:](#)

[T1460100121-000](#)