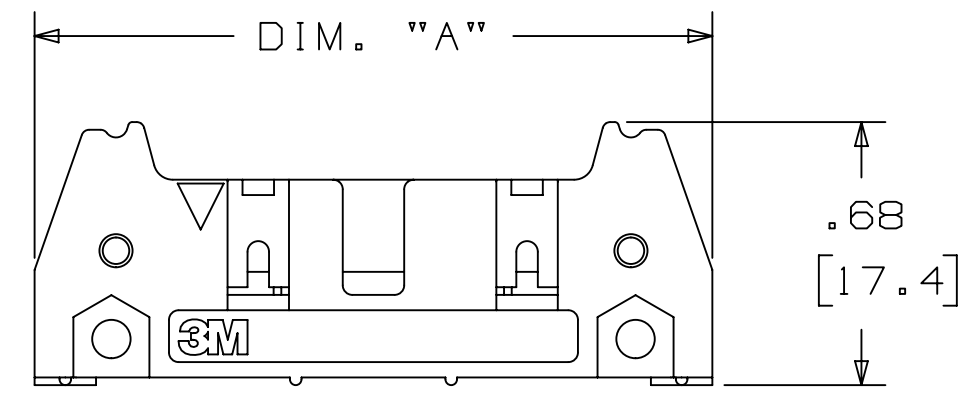
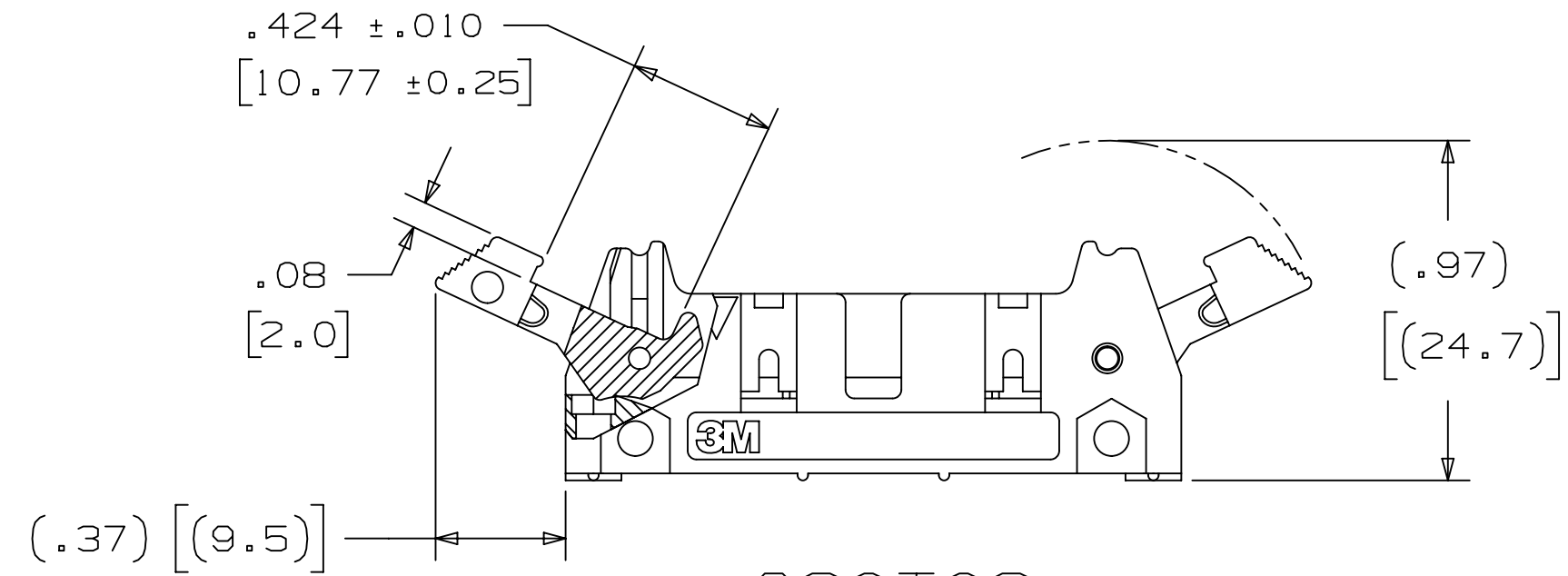


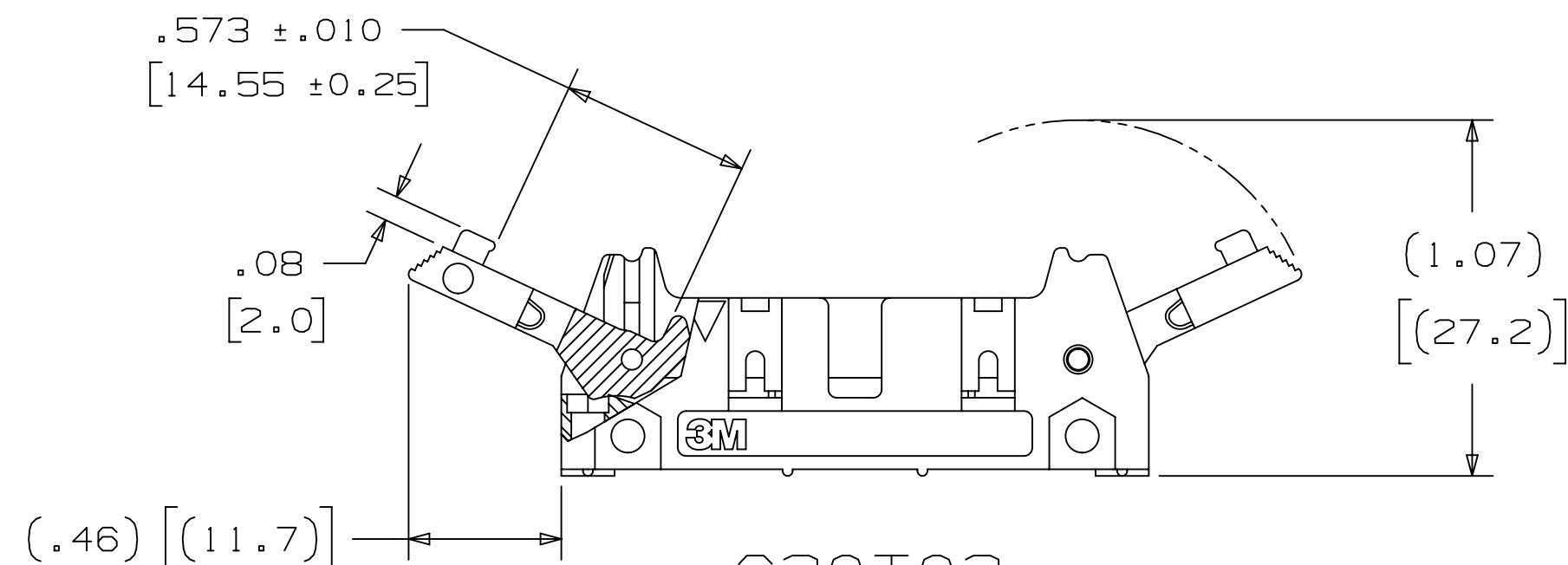
3M™ FOUR-WALL HEADER, 3000 SERIES
 .100" X .100" LATCH/EJECTOR, STRAIGHT, COMPLIANT PIN



-600T02
 HEADER WITHOUT LATCH EJECTOR



-620T02
 HEADER WITH SHORT LATCH EJECTOR
 FOR 3M SOCKETS WITHOUT STRAIN RELIEF



-630T02
 HEADER WITH LONG LATCH EJECTOR
 FOR 3M SOCKETS WITH STRAIN RELIEF

- * MILITARY (WITH 3M'S N3518 POLARIZING KEY) AND CENTERBUMP POLARIZATION.
- * OPTIONAL EJECTOR LATCHES.
- * MOUNTING HOLES FOR SECURING HEADER TO BOARD.
- * DEPENDABLE EYE-OF-THE-NEEDLE PIN DESIGN.
- * OPTIONAL POLARIZING POSTS AVAILABLE.
- * HIGH TEMPERATURE INSULATOR.

2 PHYSICAL :

INSULATOR: HIGH TEMP GLASS FILLED POLYESTER (PCT)
 MATERIAL: UL94V-0
 FLAMMABILITY: UL94V-0
 COLOR: BLACK
 CONTACT: COPPER ALLOY
 MATERIAL: COPPER ALLOY
 PLATING: 50μ" - 150μ" [1.27μm - 3.81μm] NICKEL-OVERALL
 WIPING AREA: 30μ" [0.76μm] AVG. GOLD
 SOLDER TAILS: 200μ" [5.08μm] MIN MATTE TIN (APP E1 & C1 APPLY)
 MARKINGS: 3M LOGO, PART IDENTIFICATION NUMBER AND ORIENTATION TRIANGLE

2 ELECTRICAL :

CURRENT RATING: 1A
 INSULATION RESISTANCE: >1 X 10⁹Ω AT 500 V_{DC}
 WITHSTANDING VOLTAGE: 1,000V_{RMS} AT SEA LEVEL

2 ENVIRONMENTAL :

TEMPERATURE RATING: -55°C TO 105°C

- NOTES
1. REGULATORY INFORMATION: VISIT 3M.com/regs
 2. IN THE EVENT OF CONFLICT BETWEEN THIS DATA AND THAT CONTAINED IN THE PRODUCT SPECIFICATION, THE PRODUCT SPECIFICATION TAKES PRECEDENT.
 3. NOTCHES A & C WILL ACCOMMODATE 3M POLARIZING KEY: N3518.
 4. MOUNTING HARDWARE:
 REAR ENTRY:
 #4-24 THREAD CUTTING SCREW (3M PART #3341-5) WITH Ø .116 [2.95] MOUNTING HOLE.
 FRONT ENTRY:
 (PRIOR TO INSTALLATION OF LATCH)
 #2-56 BOLT AND NUT (3M PART #3341-6) WITH Ø .106 [2.69] MOUNTING HOLE.

ORDERING INFORMATION

NXXXX-6X0T02RB

3M PART NUMBER: _____ PLATING: _____
 (SEE TABLE 1)

LATCH/EJECTOR SYSTEM:
 0 = NO LATCH/EJECTOR INSTALLED
 2 = SHORT ROLL PIN LATCH/EJECTORS
 3 = LONG ROLL PIN LATCH/EJECTORS

3M ELECTRONICS MATERIALS SOLUTIONS DIVISION
 INTERCONNECT SOLUTIONS
<http://www.3M.com/interconnect>

3M IS A TRADEMARK OF 3M COMPANY.
 FOR TECHNICAL, SALES OR ORDERING
 INFORMATION CALL 800-225-5373

DIMENSIONS: INCHES [MM]
 [MM] IS REF. ONLY

DESIGN REFERENCE	NEXT ASSEMBLY	REV	ECO	ISSUE DATE AND DESCRIPTION	DRFT	CHKD
XXXX		E	56068	JUL 31, 2014 REVISED AND REDRAWN	JNC	RS
XXXX		F	93619	JAN 07, 2021 REMOVE TIN LEAD PLATING	JNC	SAN

DRWING NUMBER	DATE	APPR	DATE
78-5100-0478-7	JUL 31, 2014	R. SCHERER	SEP 05, 2014

Division	Interconnect Solutions	Division Code	EMSD
DO NOT SCALE DRAWING	SCALE 2/1	TOLERANCES EXCEPT AS NOTED	
THIRD ANGLE PROJECTION		INCHES .0 ± .1 .00 ± .01 .000 ± .005 .0000 ± .0002	
INTERPRET PER ASME Y14.5 - 2018		MILLIMETERS 0 ± 2 .0 ± .3 .00 ± .13 .000 ± .005	
MAX SURFACE ROUGHNESS	ALL SURFACES	ANGLES	

TITLE	4-WALL HDR, .100 X .100 LATCH/EJECT, STR, COMPLIANT PIN
CAGE NUMBER	D78-5100-0478-7
SIZE	3400
DRAWING NO.	
REV.	F
MODEL	
DET.	YES
NO	X
SHT	1 OF 5



3M™ FOUR-WALL HEADER, 3000 SERIES
 .100" X .100" LATCH/EJECTOR, STRAIGHT, COMPLIANT PIN

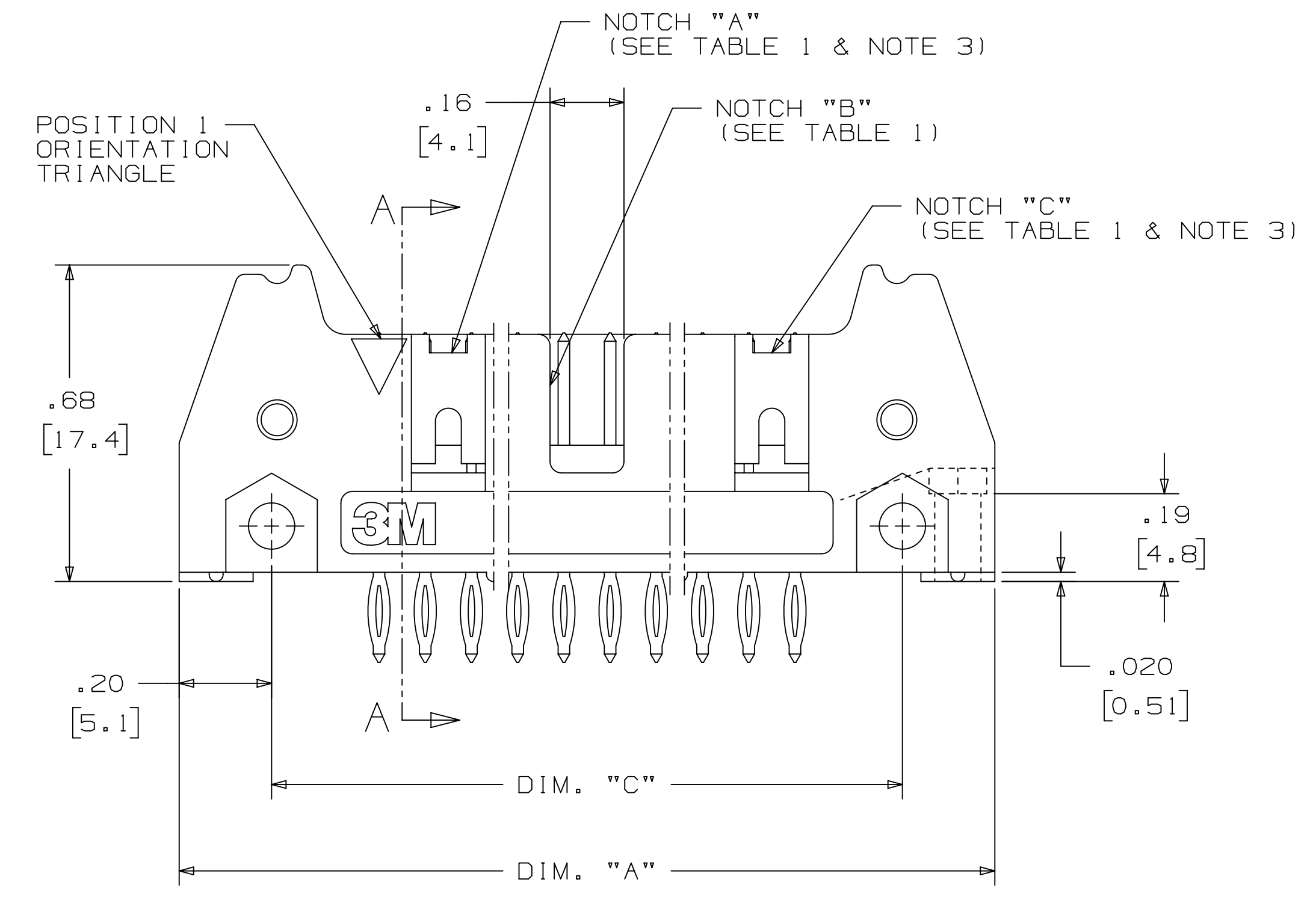
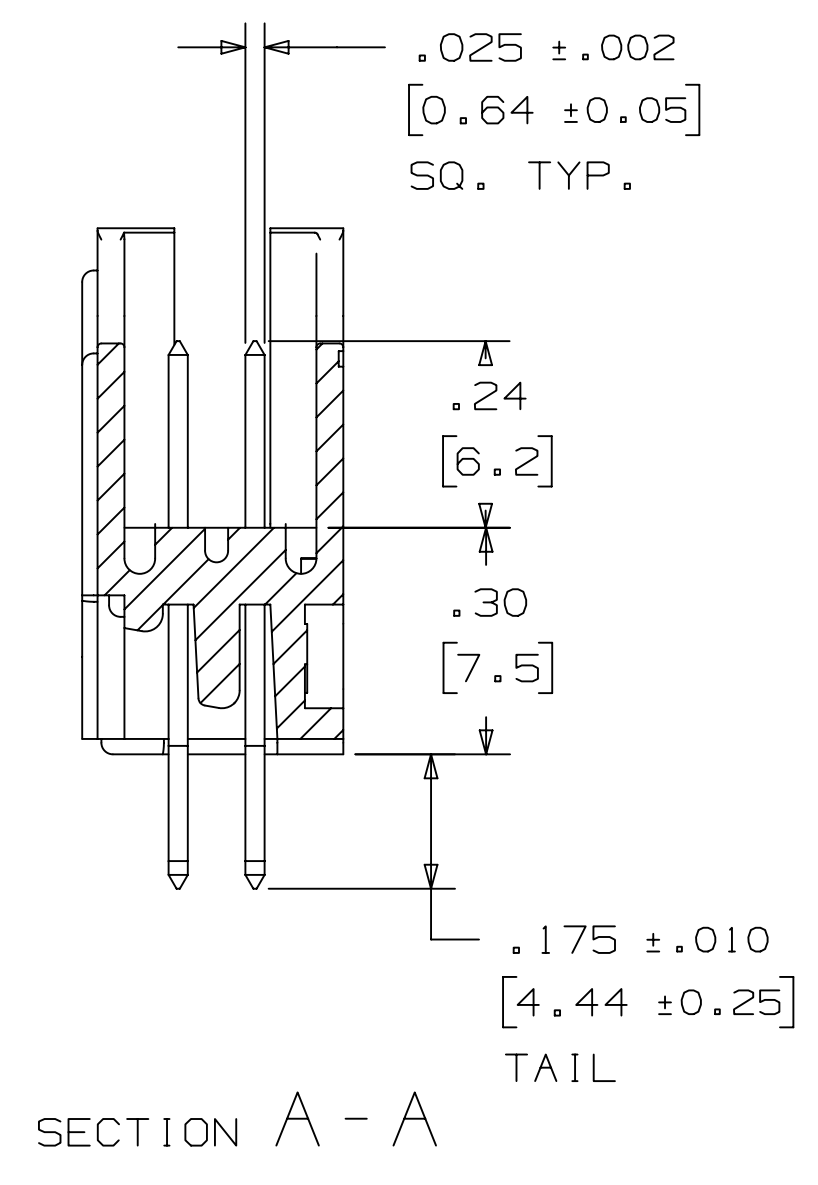
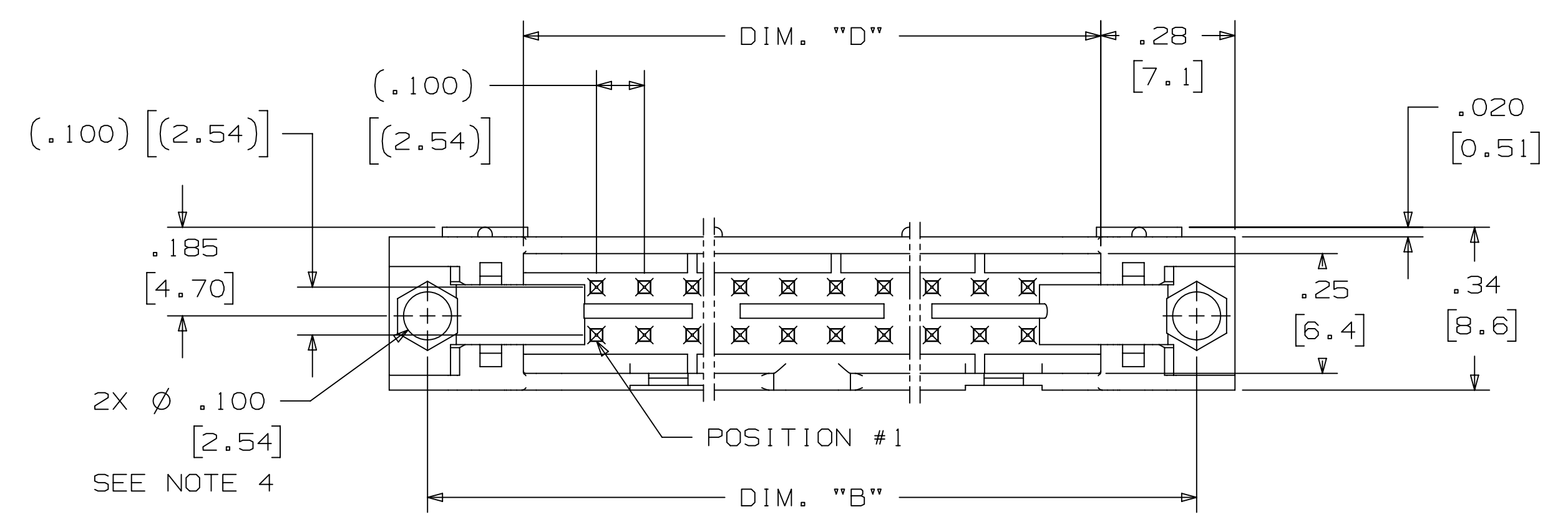


TABLE 1

PIN QTY.	3M PART NUMBER	DIM. "A"	DIM. "B"	DIM. "C"	DIM. "D"	POLARIZING NOTCHES	INSERTION PLATEN 3442-00XX	PIN QTY.
10	3793	1.26 [32.1]	1.105 [28.04]	.865 [21.97]	.71 [18.0]	BC	3442-0048	10
14	3314	1.46 [37.2]	1.305 [33.12]	1.065 [27.05]	.91 [23.1]	BC	3442-0049	14
16	3408	1.56 [39.7]	1.405 [35.66]	1.165 [29.59]	1.01 [25.6]	ABC	3442-0050	16
20	3428	1.76 [44.8]	1.604 [40.74]	1.365 [34.67]	1.21 [30.7]	ABC	3442-0051	20
24	3627	1.96 [49.9]	1.805 [45.82]	1.565 [39.75]	1.41 [35.8]	ABC	3442-0052	24
26	3429	2.06 [52.4]	1.905 [48.36]	1.665 [42.29]	1.51 [38.3]	ABC	3442-0053	26
30	3440	2.26 [57.5]	2.105 [53.44]	1.865 [47.37]	1.71 [43.4]	ABC	3442-0054	30
34	3431	2.46 [62.6]	2.305 [58.52]	2.065 [52.45]	1.91 [48.5]	ABC	3442-0055	34
40	3432	2.76 [70.2]	2.605 [66.14]	2.365 [60.07]	2.21 [56.1]	ABC	3442-0056	40
50	3433	3.26 [82.9]	3.105 [78.84]	2.865 [72.77]	2.71 [68.8]	ABC	3442-0057	50
60	3372	3.76 [95.6]	3.605 [91.54]	3.365 [85.47]	3.21 [81.5]	ABC	3442-0058	60
64	3764	3.96 [100.7]	3.805 [96.62]	3.565 [90.55]	3.41 [86.6]	ABC	3442-0059	64

ASSEMBLY EQUIPMENT:
 USE 3442-00XX PLATEN (SEE TABLE #1) AND APPROPRIATE COMMERCIAL ARBOR PRESS
 TO PRESS HEADER INTO PC BOARD.

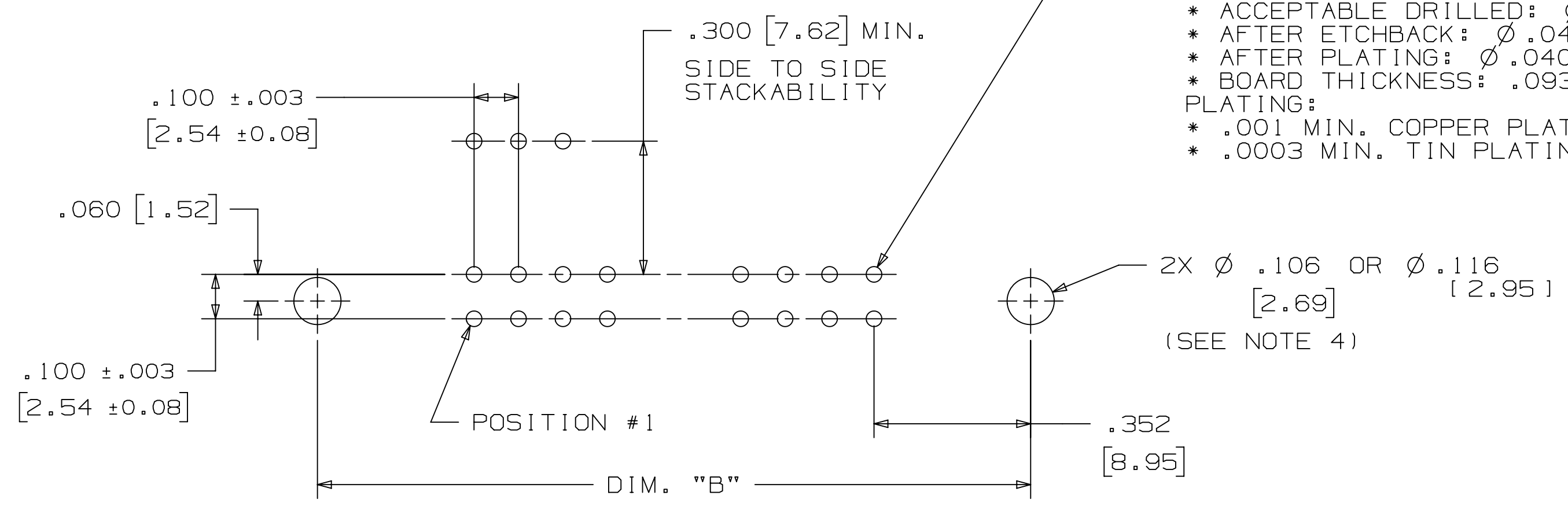
DESIGN REFERENCE	NEXT ASSEMBLY	REV	ECO	ISSUE DATE AND DESCRIPTION	DRFT	CHKD
				JAN 07, 2021 REMOVE TIN LEAD PLATING	JNC	SAN
				JUL 31, 2014 REVISED AND REDRAWN	JNC	RS
				JUL 31, 2014 ISSUE DATE AND DESCRIPTION		
DRFT	CASTIGLIONE	DATE	JUL 31, 2014	MFG	DATE	
CHKD		DATE		APPV	DATE	
				R. SCHERER	SEP 05, 2014	
DIVISION	Interconnect Solutions	DIVISION CODE	EMSD	© 3M COPYRIGHT 2021		
DO NOT SCALE DRAWING	SCALE 4/1	TOLERANCES EXCEPT AS NOTED		This document and the information it contains are 3M property and may not be reproduced or further distributed without 3M permission, or used or disclosed other than for 3M authorized purposes. All rights reserved.		
THIRD ANGLE PROJECTION		INCHES	.00 ± .1 .00 ± .01 .0000 ± .0005 .0000 ± .0002	TITLE 4-WALL HDR, .100 X .100 LATCH/EJECT, STR, COMPLIANT PIN		
INTERPRET PER ASME Y14.5 - 2018		MILLIMETERS	0 ± 2 0 ± 3 .00 ± .13 .000 ± .005	CAGE NUMBER D78-5100-0478-7		
MAX SURFACE ROUGHNESS		ANGLES		REV. F		
MARKED ONLY				MODEL 3400		
				DET [] YES [X] NO [] SHT 2 OF 5		

78-5100-0478-7
DRAWING NUMBER

F
REVISION

3M™ FOUR-WALL HEADER, 3000 SERIES

.100" X .100" LATCH/EJECTOR, STRAIGHT, COMPLIANT PIN

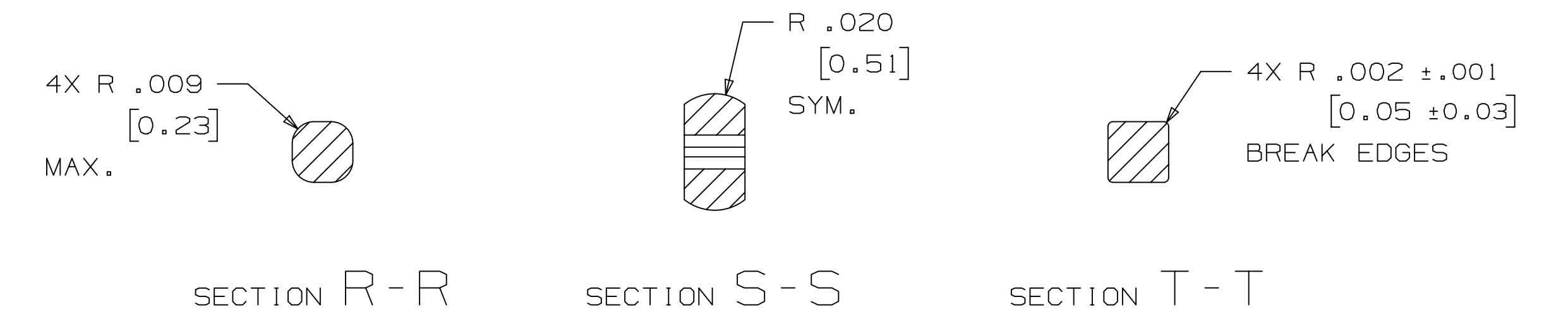
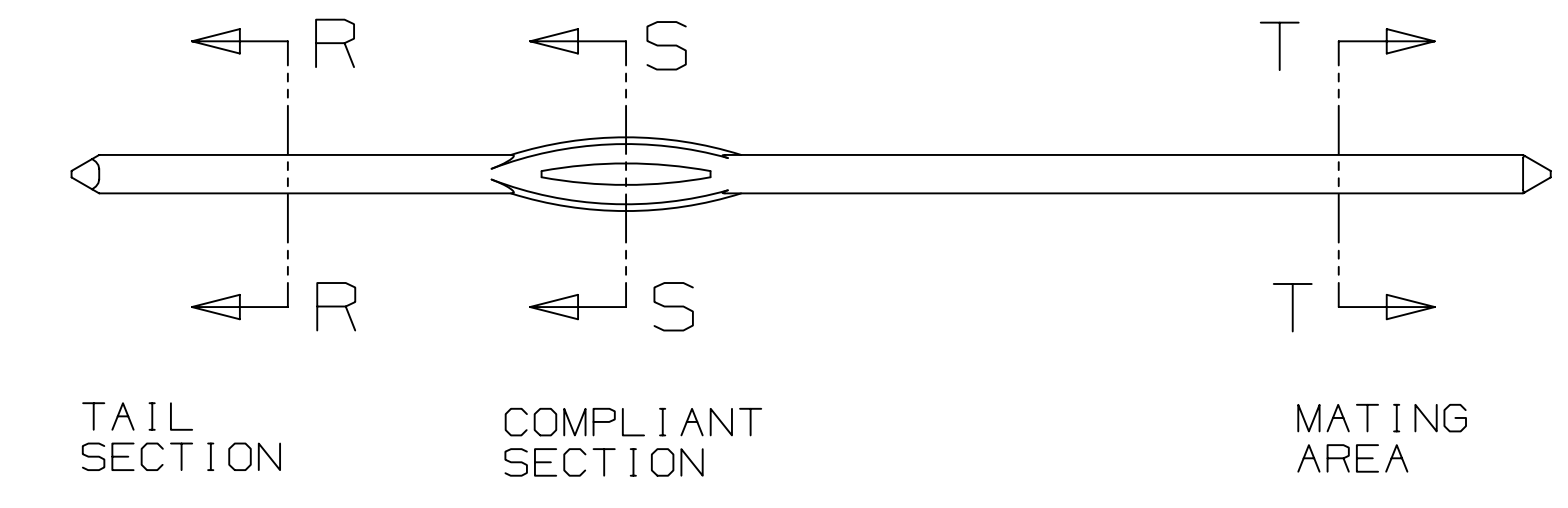


RECOMMENDED MOUNTING HOLE PATTERN

NOTE:
PCB HOLE SIZES AND TOLERANCES RECOMMENDED FOR USE WITH 3M'S COMPLIANT PIN HEADER. THE INSERTION FORCE IS DESIGNED NOT TO EXCEED 40 POUNDS PER PIN AND THE WITHDRAWAL FORCE IS NOT LESS THAN 10 POUNDS PER PIN.

HOLE SIZE FOR:
 * PREFERRED DRILLED: $\phi .0453 \pm .0005$
 * ACCEPTABLE DRILLED: $\phi .0453 \pm .0005 / - .0010$
 * AFTER ETCHBACK: $\phi .0460$ MAX.
 * AFTER PLATING: $\phi .040 \pm .003$
 * BOARD THICKNESS: .093 TO .150

PLATING:
 * .001 MIN. COPPER PLATING THICKNESS
 * .0003 MIN. TIN PLATING



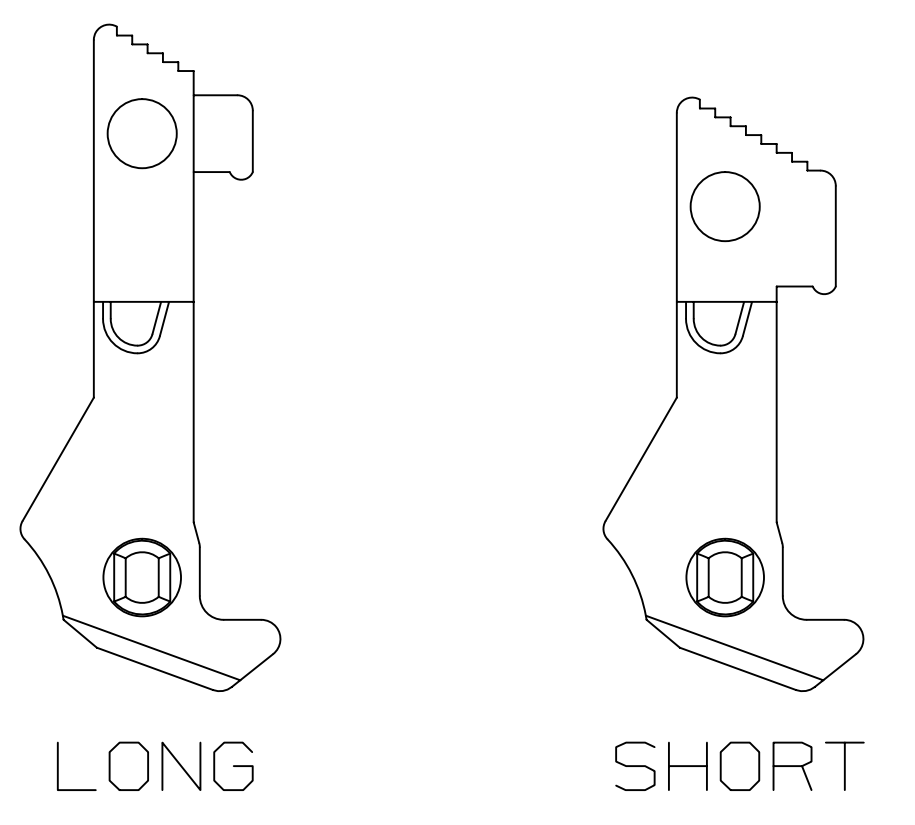
PART CUSTOMIZATION

THIS SPEC SHEET DETAILS OUR STANDARD OFFERING.

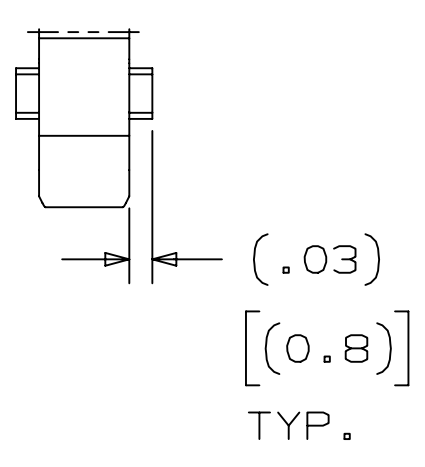
3M HAS SEVERAL CAPABILITIES THAT CAN PROVIDE A PART TAILORED TO YOUR SPECIFIC NEEDS. ASK YOUR 3M SALES REPRESENTATIVE OR CUSTOMER SERVICE FOR MORE DETAILS.

BOTH SNAP-IN AND ROLL PIN LATCHES MAY BE ORDERED SEPARATELY. SNAP-IN AND ROLL PIN STYLE LATCHES ARE DIMENSIONALLY AND FUNCTIONALLY EQUIVALENT. IF ORDERING SNAP-IN OR ROLL PIN STYLE LATCHES SEPARATELY, PLEASE USE THE BELOW CHART.

MATERIAL	SHORT LATCH	LONG LATCH	LATCH STYLE	COLOR
HIGH TEMP. (PCT)	N3505-2B	N3505-3B	ROLL PIN	BLACK
HIGH TEMP (PPA)	N3505-30B	N3505-31B	SNAP-IN	BLACK

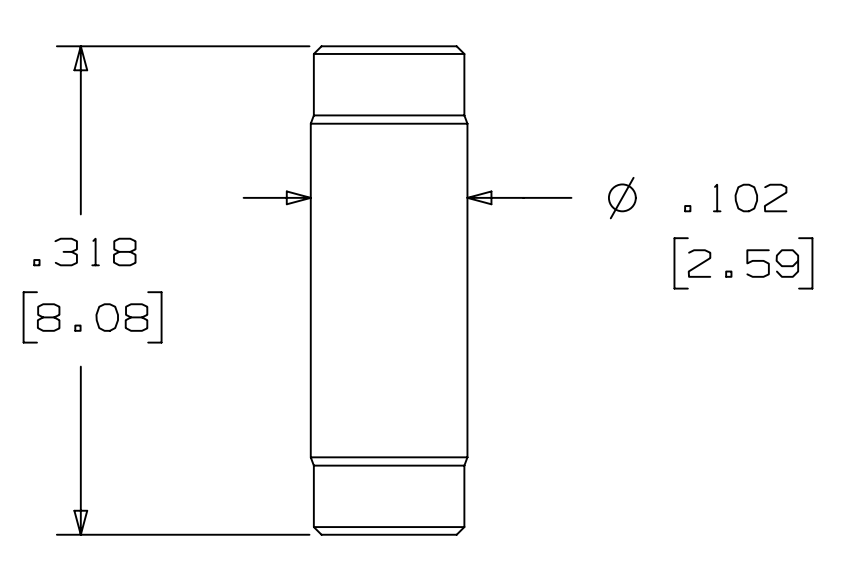


LONG SHORT
SNAP-IN LATCHES



NOTE:
SNAP-IN LATCHES CAN ONLY BE ORDERED SEPARATELY AND ARE THE CUSTOMERS RESPONSIBILITY TO INSTALL.

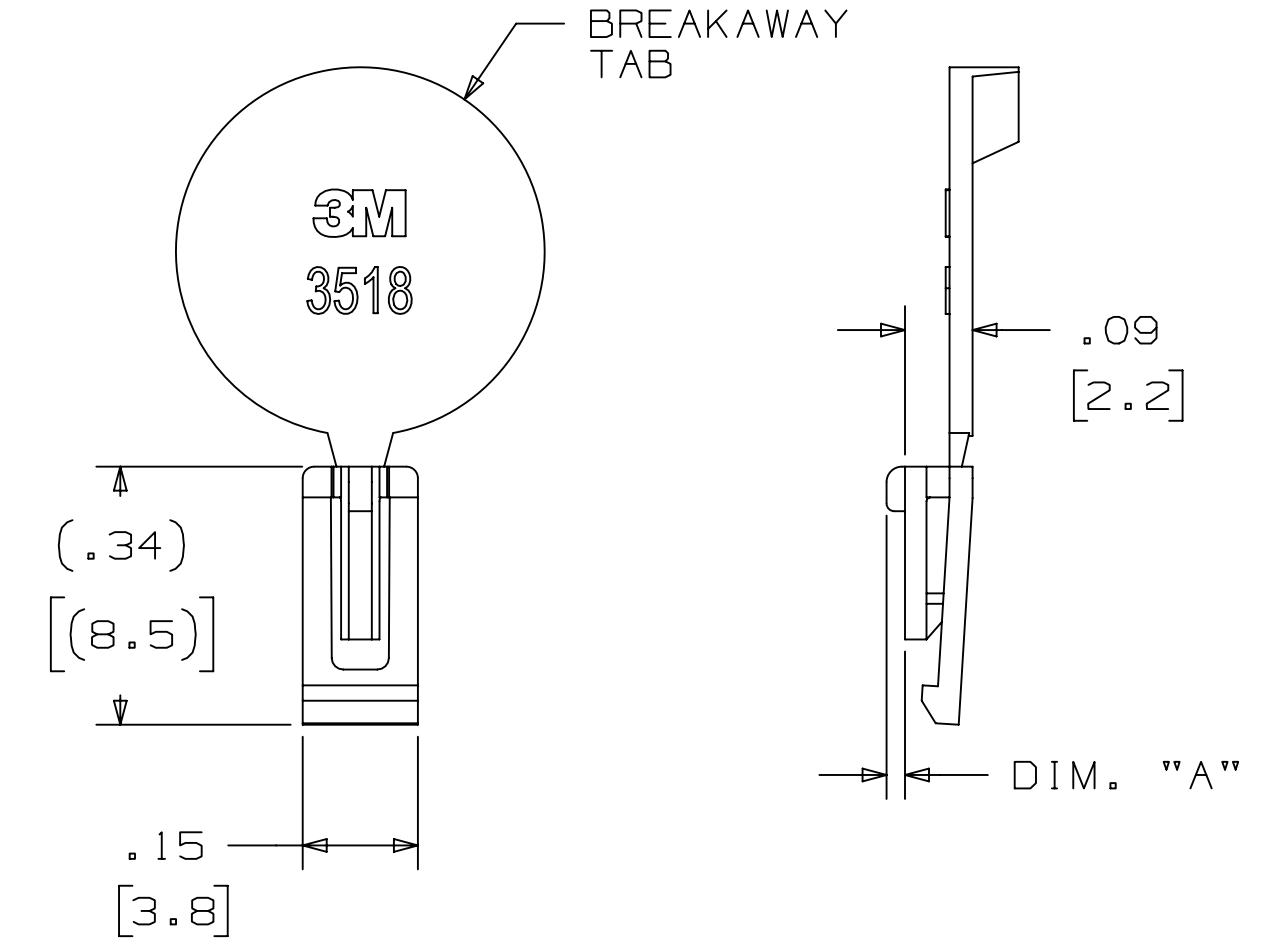
POLARIZING POST



3M PART NO.	MATERIAL	COLOR
3201-4	LCP	BLACK

NOTE:
INSERT POST INTO ONE MOUNTING HARDWARE HOLE ON BOTTOM OF HEADER. SET POST TO PROTRUDE .115 [2.92]

POLARIZING KEY



3M PART NO.	MATERIAL	COLOR	DIM. "A"
N3518	LCP	BLACK	.02

NOTE:
#2216 B/A SCOTCHWELD CAN BE USED TO ADHERE KEYS.

DESIGN REFERENCE	NEXT ASSEMBLY	REV	ECO	ISSUE DATE AND DESCRIPTION	DRFT	CHKD
		F	93619	JAN 07, 2021 REMOVE TIN LEAD PLATING	JNC	SAN
		E	56068	JUL 31, 2014 REVISED AND REDRAWN	JNC	RS

DIVISION	INTERCONNECT SOLUTIONS	DIVISION CODE	EMSD
DO NOT SCALE DRAWING	SCALE 4/1	TOLERANCES EXCEPT AS NOTED	
THIRD ANGLE PROJECTION		INCHES .00 ± .01 .000 ± .005 .0000 ± .0002	
INTERPRET PER ASME Y14.5 - 2018		MILLIMETERS 0 ± 2 .0 ± .3 .00 ± .13 .000 ± .005	
MAX SURFACE ROUGHNESS		ALL SURFACES	
<input checked="" type="checkbox"/> MARKED ONLY		ANGLES	

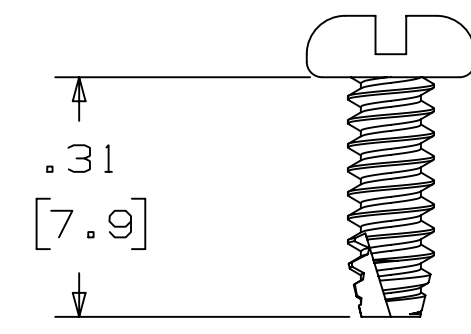
TITLE	CAGE NUMBER	SIZE	DRAWING NO.	REV.
4-WALL HDR, .100 X .100 LATCH/EJECT, STR, COMPLIANT PIN	D	78-5100-0478-7	F	

MODEL	3400	DET	YES	NO	SHT 3 OF 5

78-5100-0478-7 REVISION

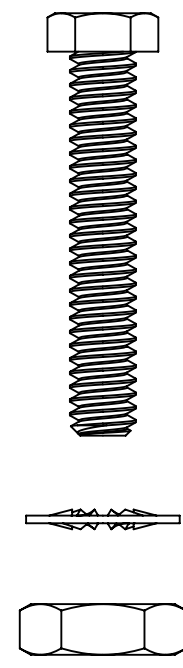
3M™ FOUR-WALL HEADER, 3000 SERIES
 .100" X .100" LATCH/EJECTOR, STRAIGHT, COMPLIANT PIN

MOUNTING HARDWARE

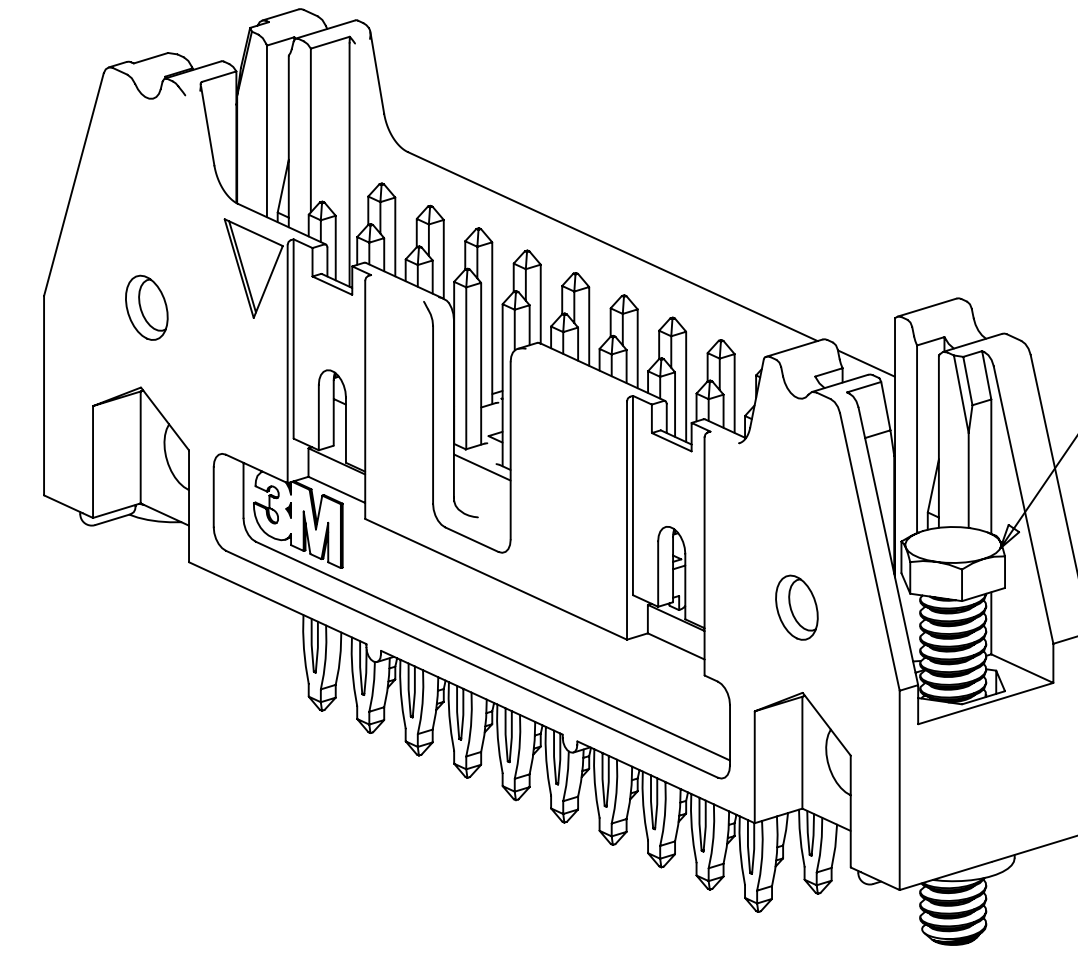


3341-5
 (INSTALL FROM BOTTOM OF BOARD)
 SEE NOTE 4

PANHEAD THREAD CUTTING SCREW:
 #4-24 X 5/16"
 TYPE: USA STD BT, FEDERAL BG
 MATERIAL: STAINLESS STEEL

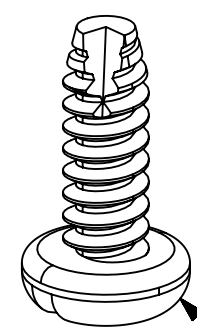
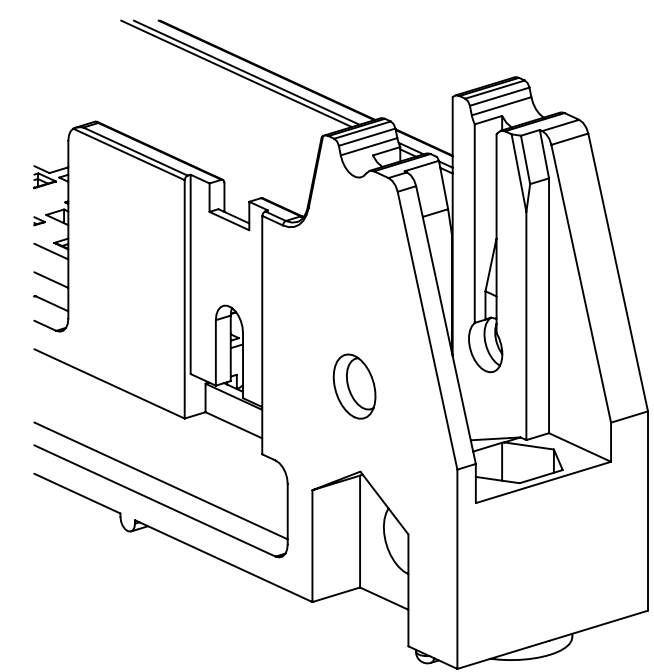
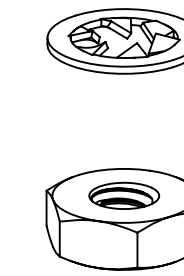


3341-6
 HEX HEAD BOLT, NUT AND WASHER:
 BOLT - #2-56 X 1/2"
 MATERIAL: STAINLESS STEEL



STRAIGHT VERSION INSTALL
 (MUST BE INSERTED PRIOR TO
 LATCH INSTALL)

3341-6
 #2-56 NUT AND BOLT



3341-5

#4-24 TYPE BT SELF THREADING SCREW
 WHEN USING LATCHES, MAXIMUM LENGTH
 OF SCREW IS .250 INCHES PLUS
 THICKNESS OF THE BOARD.

DESIGN REFERENCE	NEXT ASSEMBLY	REV	ECO	ISSUE DATE AND DESCRIPTION	DRFT	CHKD
		DRFT	CASTIGLIONE	DATE	JUL 31, 2014	MFG
		CHKD		DATE		APPV
				DATE	SEP 05, 2014	R. SCHERER
DIVISION	Interconnect Solutions	DIVISION CODE	EMSD	© 3M COPYRIGHT 2021		
DO NOT SCALE DRAWING	SCALE 4/1	TOLERANCES EXCEPT AS NOTED		This document and the information it contains are 3M property and may not be reproduced or further distributed without 3M permission, or used or disclosed other than for 3M authorized purposes. All rights reserved.		
THIRD ANGLE PROJECTION		INCHES	.0 ± .1 .00 ± .01 .000 ± .005 .0000 ± .0002	TITLE		
INTERPRET PER ASME Y14.5 - 2018		MILLIMETERS	0 ± 2 .0 ± .3 .00 ± .13 .000 ± .005	4-WALL HDR, .100 X .100 LATCH/EJECT, STR, COMPLIANT PIN		
MAX SURFACE ROUGHNESS		MARKED ONLY		CAGE NUMBER	D78-5100-0478-7	REV. F
				MODEL	3400	DET. SHT 4 OF 5

78-5100-0478-7 DRAWING NUMBER

A

8 7 6 5 4 3 2 1

3M™ FOUR-WALL HEADER, 3000 SERIES
 .100" X .100" LATCH/EJECTOR, STRAIGHT, COMPLIANT PIN

Regulatory: For regulatory information about this product, visit 3M.com/regs or contact your 3M representative.


Technical Information: The technical information, recommendations and other statements contained in this document are based upon tests or experience that 3M believes are reliable, but the accuracy or completeness of such information is not guaranteed.

Product Use: Many factors beyond 3M's control and uniquely within user's control can affect the use and performance of a 3M product in a particular application. Given the variety of factors that can affect the use and performance of a 3M product, user is solely responsible for evaluating the 3M product and determining whether it is fit for a particular purpose and suitable for user's method of application.

Warranty, Limited Remedy, and Disclaimer: Unless an additional warranty is specifically stated on the applicable 3M product packaging or product literature, 3M warrants that each 3M product meets the applicable 3M product specification at the time 3M ships the product. 3M MAKES NO OTHER WARRANTIES OR CONDITIONS, EXPRESS OR IMPLIED, INCLUDING, BUT NOT LIMITED TO, ANY IMPLIED WARRANTY OR CONDITION OF MERCHANTABILITY OR FITNESS FOR A PARTICULAR PURPOSE OR ANY IMPLIED WARRANTY OR CONDITION ARISING OUT OF A COURSE OF DEALING, CUSTOM OR USAGE OR TRADE. If the 3M product does not conform to this warranty, then the sole and exclusive remedy is, at 3M's option, replacement of the 3M product or refund of the purchase price.

Limitation of Liability: Except where prohibited by law, 3M will not be liable for any loss or damage arising from the 3M product, whether direct, indirect, special, incidental or consequential, regardless of the legal theory asserted, including warranty, contract, negligence or strict liability.

3M Company
 Electronics Materials Solutions Division
 13011 McCallen Pass, Bldg. C
 Austin, TX 78753-5380
 1-800-225-5373
 www.3M.com/interconnect

DESIGN REFERENCE	NEXT ASSEMBLY	REV	ECO	ISSUE DATE AND DESCRIPTION	DRFT	CHKD
		DRFT	CASTIGLIONE	DATE	JUL 31, 2014	MFG
		CHKD		DATE		DATE
				APPR	R. SCHERER	DATE
						SEP 05, 2014
DIVISION	Interconnect Solutions	DIVISION CODE	EMSD	 © 3M COPYRIGHT 2021 This document and the information it contains are 3M property and may not be reproduced or further distributed without 3M permission, or used or disclosed other than for 3M authorized purposes. All rights reserved.		
DO NOT SCALE DRAWING	SCALE 4/1	TOLERANCES EXCEPT AS NOTED		TITLE 4-WALL HDR, .100 X .100 LATCH/EJECT, STR, COMPLIANT PIN		
THIRD ANGLE PROJECTION		INCHES .0 ± .1 .00 ± .01 .000 ± .005 .0000 ± .0002		CAGE NUMBER D78-5100-0478-7		
INTERPRET PER ASME Y14.5 - 2018		MILLIMETERS 0 ± 2 .0 ± .3 .00 ± .13 .000 ± .005		DRAWING NO. D78-5100-0478-7		
MAX SURFACE ROUGHNESS		ANGLES		MODEL 3400		
<input checked="" type="checkbox"/> ALL SURFACES				DET [] YES [X] NO		
<input checked="" type="checkbox"/> MARKED ONLY				SHT 5 OF 5		

78-5100-0478-7
DRAWING NUMBER

F
REVISION