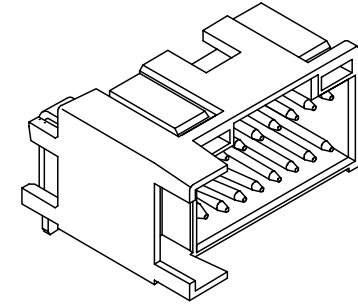
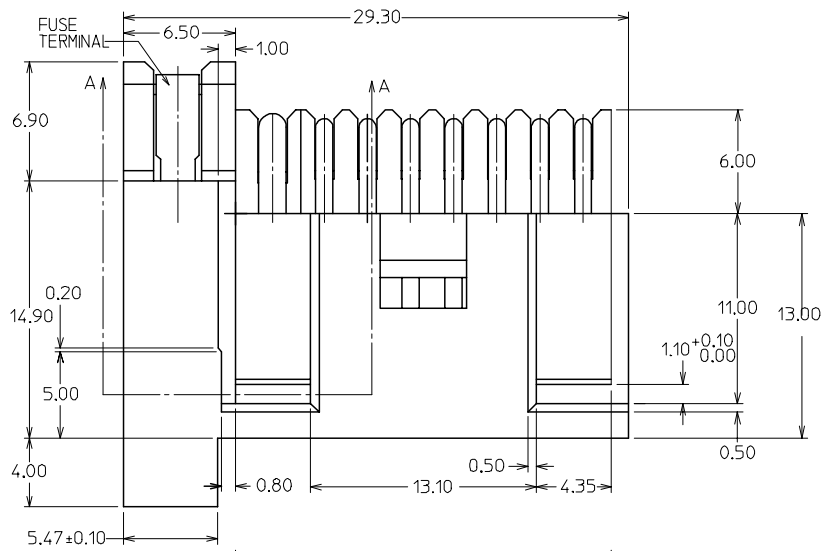
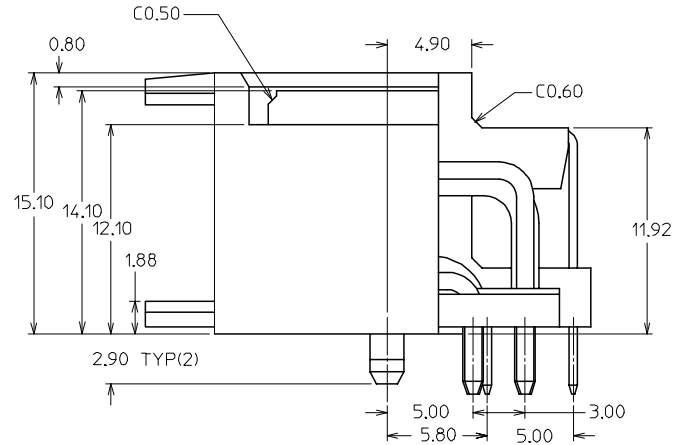
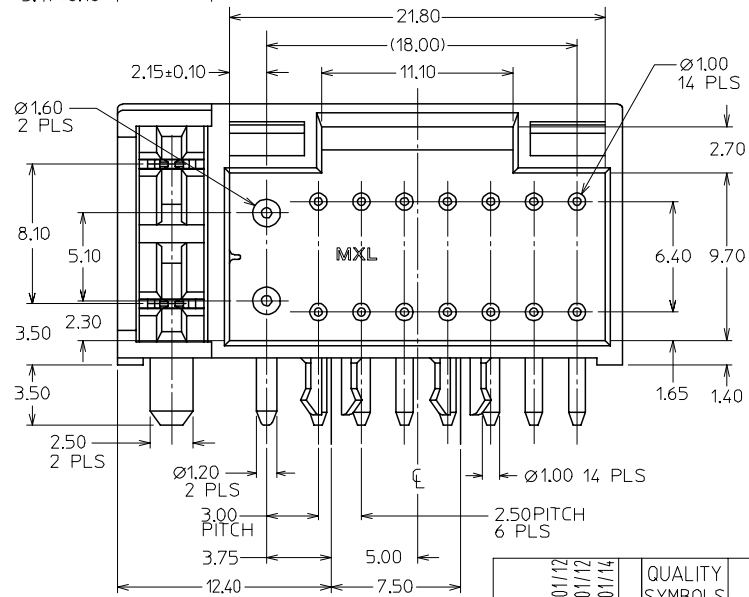


PART NO	LEAD FREE	SIGNAL PIN QTY	POWER PIN QTY	FUSE TERMINAL QTY
87527-1611	NO $\frac{\Delta}{2}$	14	2	2
87527-1612	YES $\frac{\Delta}{2}$	14	2	2



ISOMETRIC VIEW OF CONNECTOR



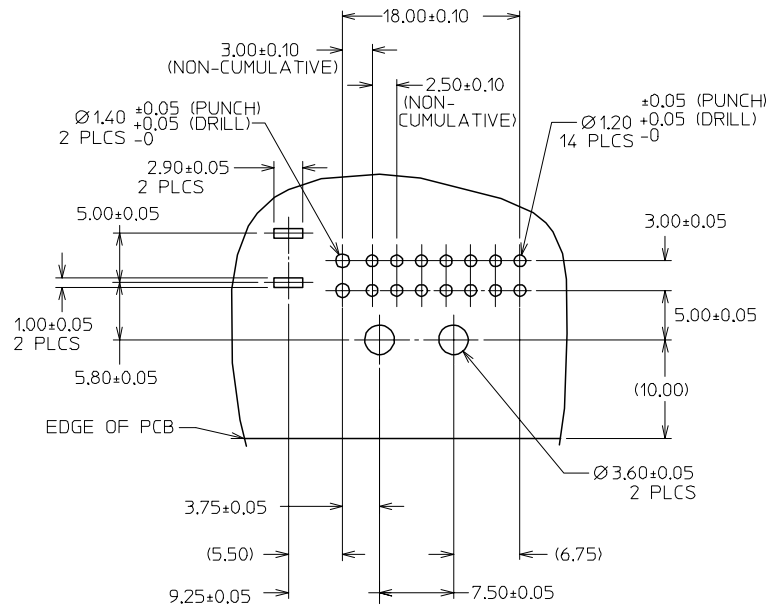
REVISE NOTE 2.	2005/01/12	
EC NO: S2005-0376	2005/01/12	
DRAWN:ATSEE	2005/01/12	
CHKD:SHONG	2005/01/12	
APPR:SKTOH	2005/01/14	
REV	DESCRIPTION	
B1		

QUALITY SYMBOLS	▽=0
	∇=0

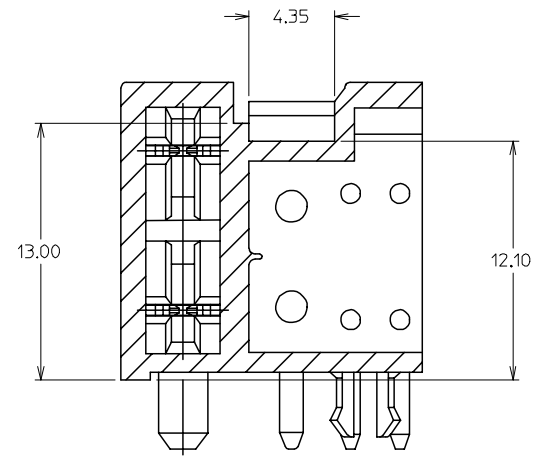
GENERAL TOLERANCES (UNLESS SPECIFIED)	mm	INCH
4 PLACES	± ---	± ---
3 PLACES	± ---	± ---
2 PLACES	± 0.2	± ---
1 PLACE	± ---	± ---
ANGULAR ± 3 °		
DRAFT WHERE APPLICABLE MUST REMAIN WITHIN DIMENSIONS		

DIMENSION STYLE		SCALE	DESIGN UNITS	THIRD ANGLE PROJECTION
MM ONLY		NTS	METRIC	
DRAWN BY	DATE	TITLE		
GMS IMMEL	1997/02/13	SALES DRAWING		
CHECKED BY	DATE	2.5/3.0 W-T-B HEADER		
SKTOH	1997/05/08	WITH SINGLE FUSE SOCKET		
APPROVED BY	DATE	MOLEX INCORPORATED		
PTHO	1997/05/09	MOLEX INCORPORATED		
MATERIAL NO.	DOCUMENT NO.	SHEET NO.		
SEE TABLE	SD-87527-007	1 OF 2		

DRAWN BY		DATE	TITLE	
GMS IMMEL		1997/02/13	SALES DRAWING	
CHECKED BY		DATE	2.5/3.0 W-T-B HEADER	
SKTOH		1997/05/08	WITH SINGLE FUSE SOCKET	
APPROVED BY		DATE	MOLEX INCORPORATED	
PTHO		1997/05/09	MOLEX INCORPORATED	
MATERIAL NO.	DOCUMENT NO.	SHEET NO.		
SEE TABLE	SD-87527-007	1 OF 2		



PCB LAYOUT : COMPONENT SIDE  
RECOMMENDED PCB THICKNESS = 1.20-1.60



SECTION A-A

NOTES:-

- MATERIALS:  
HOUSING: - NYLON, UL94-V2  
COLOR: BLACK  
SIGNAL PINS - BRASS, 1.00 DIA.  
POWER PINS - BRASS, 1.60/ 1.20 DIA.  
FUSE TERMINALS - BRASS, 0.5mm THK.
- FINISH:  
(A) TIN/ LEAD OVER NICKEL UNDERPLATE OVERALL.  
OR  
(B) TIN OVER NICKEL UNDERPLATE OVERALL.
- PRODUCT SPECIFICATION: PS-87527-0001.

REVISE NOTE 2. EC NO: S2005-0376 DRAWN:ATSEE 2005/01/12 CHKD:SHONG 2005/01/12 APPR:SKTOH 2005/01/14	QUALITY SYMBOLS ▽=0 ▽=0	GENERAL TOLERANCES (UNLESS SPECIFIED)		DIMENSION STYLE	SCALE	DESIGN UNITS	THIRD ANGLE PROJECTION			
				MM ONLY	NTS	METRIC				
			mm	INCH	DRAWN BY	DATE	TITLE			
		4 PLACES	± ---	± ---	GMS IMMEL	1997/02/13	SALES DRAWING 2.5/3.0 W-T-B HEADER WITH SINGLE FUSE SOCKET MOLEX INCORPORATED			
3 PLACES	± ---	± ---	CHECKED BY	DATE						
2 PLACES	± 0.2	± ---	SKTOH	1997/05/08	MOLEX INCORPORATED DOCUMENT NO. SD-87527-007 SHEET NO. 2 OF 2					
1 PLACE	± ---	± ---	APPROVED BY	DATE						
		ANGULAR ± 3 °		PTHO	1997/05/09					
		DRAFT WHERE APPLICABLE MUST REMAIN WITHIN DIMENSIONS		MATERIAL NO.						
				SIZE	SEE TABLE					
				THIS DRAWING CONTAINS INFORMATION THAT IS PROPRIETARY TO MOLEX INCORPORATED AND SHOULD NOT BE USED WITHOUT WRITTEN PERMISSION						