

Technical specification:

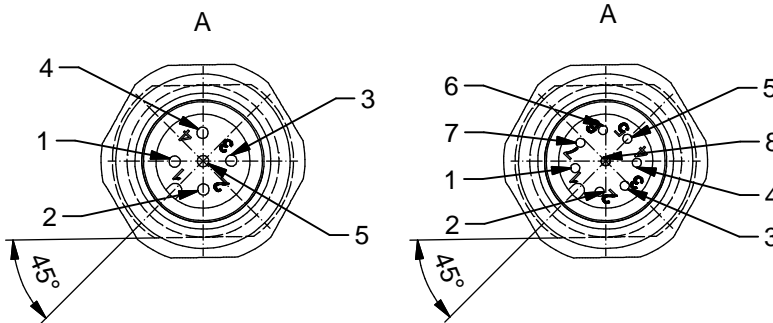
Rated voltage: IEC 61076-2-101	4pos 250 V	5pos 60 V	8pos 30 V
Current rating: IEC 61076-2-101	4/5pos 4 A at 40°C	8pos 2 A at 40°C	
Insulation resistance: IEC 60512	≥100 MΩ		
Pollution degree: IEC 60664-1	3/2		
Degree of protection: IEC 60529	IP 67, in mated condition		
Temperature range:	-30°C ... +85°C		
Mating cycles: IEC 60512-9a	≥100		

Materials:

Contact:	CuZn
Contact plating:	Nickel, gold plated
Contact carrier:	PBT GF, UL 94
Sealing:	FPM
Socket housing:	CuZn, nickel plated
Grouting:	Polyurethane-resin, UL 94

Installation specification:

recommended torque:	1-1,2 Nm
Conec installation tool:	Torque wrench: 36-000200 Insert across flats 17: 36-000230

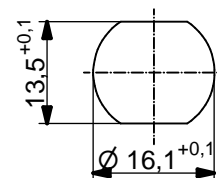


Contact assignment:

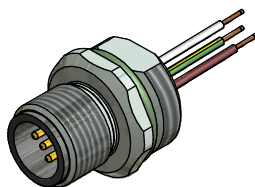
- 1 brown
- 2 white
- 3 blue
- 4 black
- 5 green-yellow

Contact assignment:

- 1 white
- 2 brown
- 3 green
- 4 yellow
- 5 grey
- 6 pink
- 7 blue
- 8 red



Minimum wall thickness 1,5mm, alternativ panel cut-out d=16,1



Part no:	Description:	Pos	Length L:	Wire:
43-01009	SAL - 12 - FS4 - 0,5	4	0,5m	AWG 24 PVC, UL
43-xxxxx	SAL - 12 - FS4 - ...	4	x	
43-01010	SAL - 12 - FS5 - 0,5	5	0,5m	
43-xxxxx	SAL - 12 - FS5 - ...	5	x	
43-01011	SAL - 12 - FS8 - 0,5	8	0,5m	
43-xxxxx	SAL - 12 - FS8 - ...	8	x	

DO NOT ALTER CAD DRAWING BY HAND Directive 2011/65/EU RoHS compliant	Index: e 30.09.2014 rch Ä5374 Temperature range was: -30°C ... +80°C	dim. in mm	title: Male socket M12x1 with wire, frontmounting										
	L ≤ 0,5m: L + 20mm L > 0,5m: L + 4%	<table border="1" style="width: 100%; border-collapse: collapse;"> <tr> <td style="width: 30px;"></td> <td style="width: 100px;">date</td> <td style="width: 100px;">name</td> </tr> <tr> <td>drawn</td> <td>01.03.07</td> <td>Fromm</td> </tr> <tr> <td>appd.</td> <td>01.03.07</td> <td>Mankopf</td> </tr> </table>				date	name	drawn	01.03.07	Fromm	appd.	01.03.07	Mankopf
		date	name										
	drawn	01.03.07	Fromm										
appd.	01.03.07	Mankopf											
general tolerance: 0 ± 0,50mm 0,0 ± 0,25mm 0,00 ± 0,10mm			part no: see table										
THIS DRAWING MAY NOT BE COPIED OR REPRODUCED IN ANY WAY, AND MAY NOT BE PASSED ON TO A THIRD PARTY WITHOUT WRITTEN PERMISSION. OWNERSHIP AND COPYRIGHT OF CONEC GmbH													