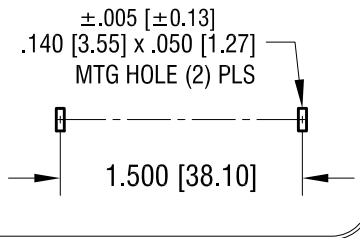
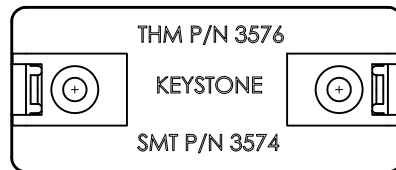
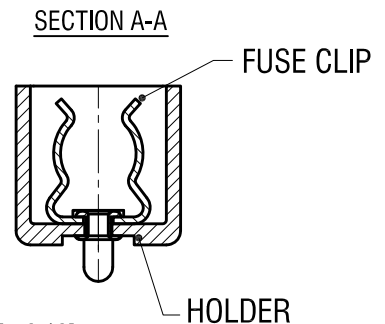
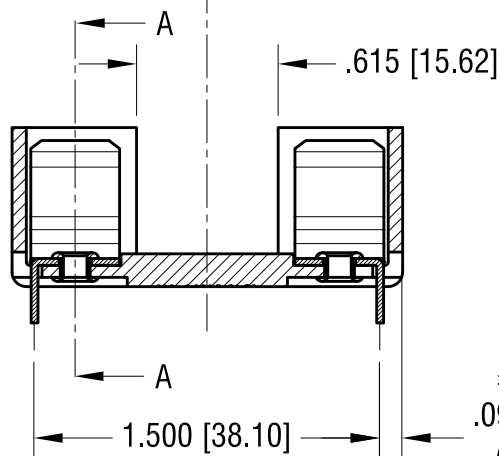
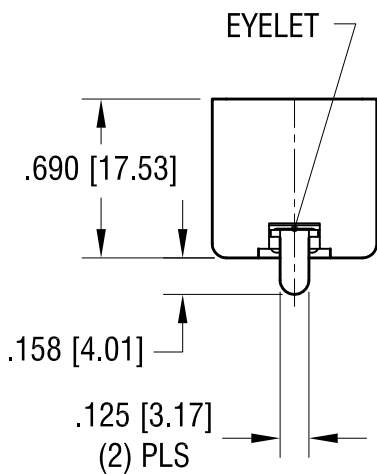
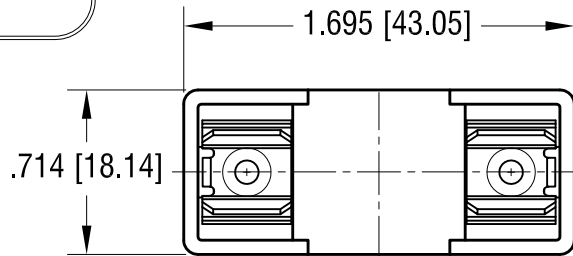
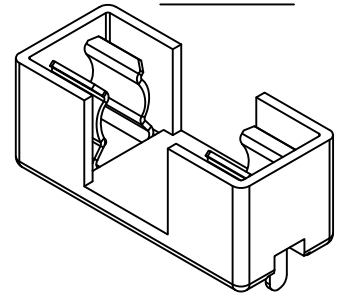


THIS DOCUMENT IS THE PROPERTY OF
KEYSTONE ELECTRONICS CORP. AND
SHALL NOT BE REPRODUCED, DISTRIBUTED
OR USED AS A BASIS FOR MANUFACTURE
WITHOUT PRIOR WRITTEN PERMISSION
FROM KEYSTONE ELECTRONICS CORP.

MOUNTING LAYOUT



ACTUAL SIZE



NOTE:

1. HOLDER: MAT'L- HI-TEMPERATURE NYLON (BLACK COLOR)
UL RATING 94V-0
2. FUSE CLIP: MAT'L- .030 [0.76] TH'K BRASS
FINISH- TIN PLATE
3. FILE NUMBER: E354010

KEYSTONE ELECTRONICS CORP.

www.keyelco.com • NEW HYDE PARK NY 11040 • Tel (516)328-7500

7.20.12	CHANGE AS PER ECN 12-089	D
7.02.12	CHANGE AS PER ECN 12-080	C
2.13.12	CHANGE AS PER ECN 12-017	B
6.14.11	CHANGE AS PER ECN 011-081	A
DATE	DESCRIPTION	REV.

PART NAME				FUSE HOLDER			
MATERIAL				AS NOTED			
FINISH				AS NOTED		DRN BY NT	
						DATE 6.14.11	
						APP'D MR	
						SCALE 1.2X	
TOLERANCES		INCH [MM]		CODE		DWG NO.	
DECIMAL		± .010 [± 0.25]		C		3576	
ANGULAR		± 1°		UNLESS OTHERWISE SPECIFIED			