

Insulated Miniature 2  
Insulated Standard 3  
Insulated Standard UL Type, W/Keyed Insulator 4  
Insulated Standard With Thumb Nut-Grounded Type 3  
Uninsulated With Knurled Thumb Nut-Grounded Type 2

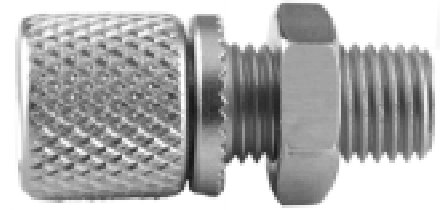
# Binding Posts

APPLICATION • Audio circuitry • RF circuitry



INCHES (MILLIMETERS)  
CUSTOMER DRAWINGS AVAILABLE UPON REQUEST

## Uninsulated With Knurled Thumb Nut-Grounded Type



### SPECIFICATIONS

**Stud:** Brass per QQ-B-626D

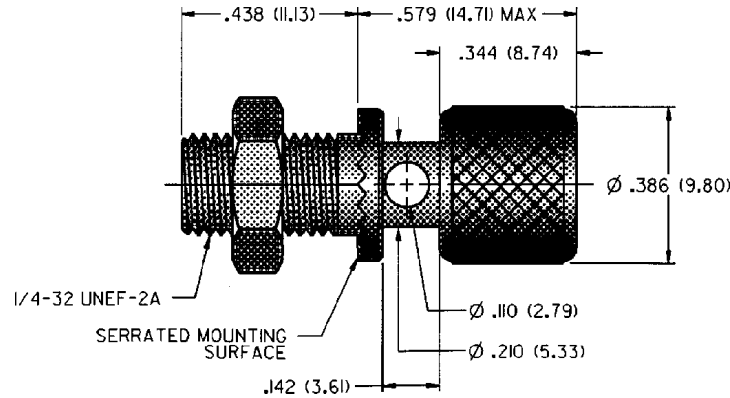
**Finish:** Nickel

**Hardware:** Nickel plated nut (unassembled)

**Panel Thickness:** Up to .281 (7.15)

### RATINGS

**Current:** 15 amps



<b>NICKEL PLATING</b>	
<b>PART NO.</b>	
111-2223-001	

**For Standard Banana Plug: .175 (4.44) Across Flats**

### FEATURES:

- Nickel plated stud with serrated mounting surface prevents turning
- Captive thumb nut .110 (2.79) diameter cross-hole accommodates up to 10 gauge wire

## Insulated Miniature

### SPECIFICATIONS

**Stud:** Brass per QQ-B-626D

**Finish:** Silver

**Contact Spring:** Beryllium Copper  
per QQ-C-533

**Insulating Material:**

Nylon 6/6 per ASTM D4066

**Hardware:** Nickel plated nut (unassembled)

**Body Thread Stripping Torque:**

4.0 lb. in. (4.5 kg cm)

**Panel Thickness:** Up to .156 (3.95)

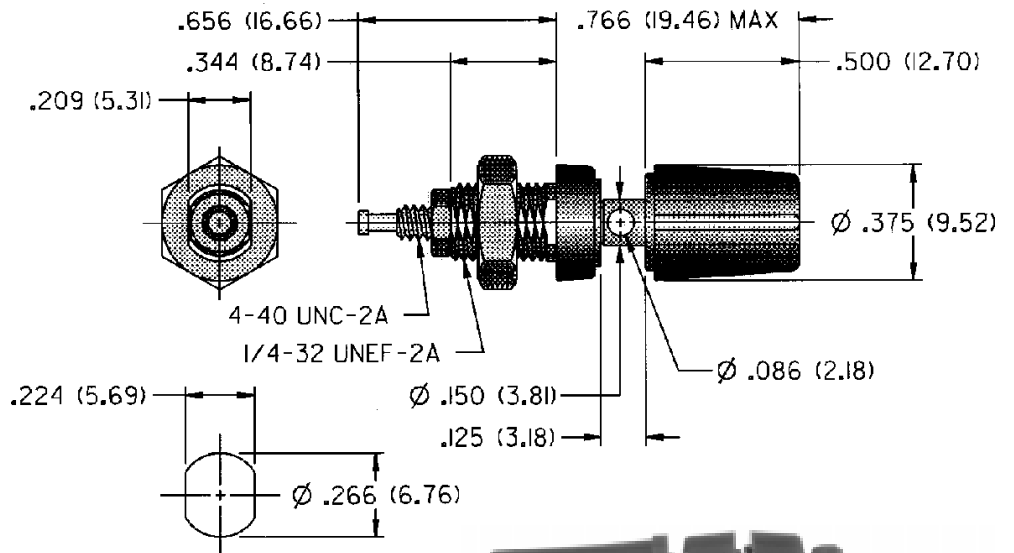
### RATINGS

**Current:** 5 amps

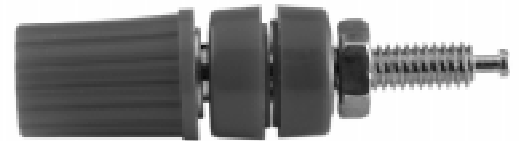
**Contact Resistance:** 0.010 ohms maximum

**Breakdown Voltage:** 3500 Vrms minimum†

**Stud-to-Panel:** 2.0 pF nominal



MOUNTING HOLE LAYOUT



<b>SILVER PLATING</b>			
<b>ACCOMMODATES .080 (2.00) DIAMETER TIP PLUG</b>			
<b>PART NO.</b>	<b>COLOR</b>	<b>PART NO.</b>	<b>COLOR</b>
111-0202-001	Red	111-0203-001	Black

**For Standard Tip Plug: .080 (2.00) Diameter**

### FEATURES:

- Captive thumb nut
- Insulated body is flatted to prevent turning
- Nylon UL approved for self-extinguishing

† Avoid user injury due to misapplication. See safety advisory definitions on page 2.

## Insulated Standard

### SPECIFICATIONS

**Stud:** Brass per QQ-B-626D

**Finish:** Silver

**Insulating Material:** Nylon 6/6 per  
ASTM D4066

**Hardware:** Nickel plated nut (unassembled)

**Body Thread Stripping Torque:**  
6.0 lb. in. (7.0 kg cm)

**Panel Thickness:** Up to .281 (7.15)

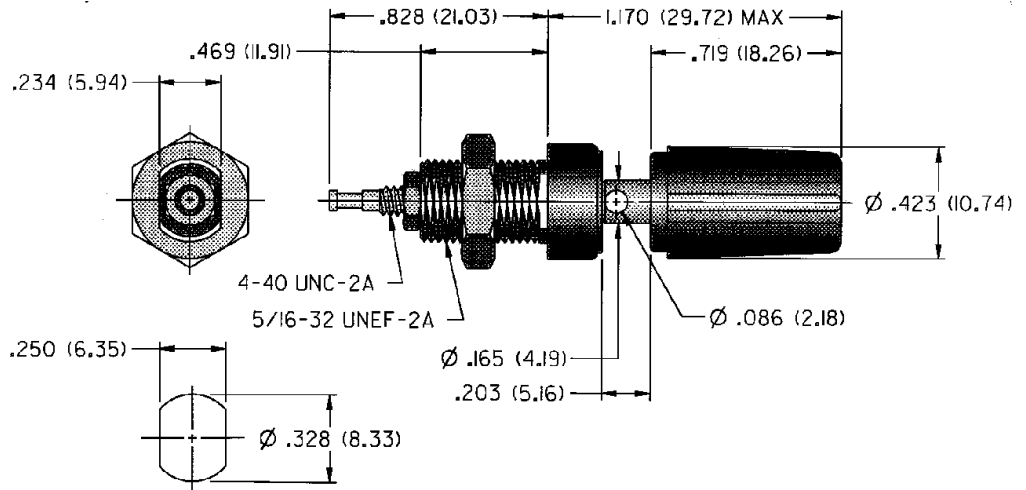
### RATINGS

**Current:** 15 amps

**Contact Resistance:** 0.010 ohms maximum

**Breakdown Voltage:** 5700 Vrms minimum †

**Stud-to-Panel:** 3.3 pF nominal



MOUNTING HOLE LAYOUT

SILVER PLATING			
PART NO.	COLOR	PART NO.	COLOR
111-0101-001	White	111-0107-001	Yellow
111-0102-001	Red	111-0108-001	Brown
111-0103-001	Black	111-0110-001	Blue
111-0104-001	Green	111-0112-001	Violet
111-0106-001	Orange	111-0113-001	Gray

**For Standard Banana Plug: .175 (4.44)**

### DIAMETER FEATURES:

- Turret terminal
- Captive thumb nut
- Insulated body is flatted to prevent turning
- Nylon UL approved for self-extinguishing



## Insulated Standard With Thumb Nut-Grounded Type

### SPECIFICATIONS

**Stud:** Brass per QQ-B-626D

**Finish:** Nickel

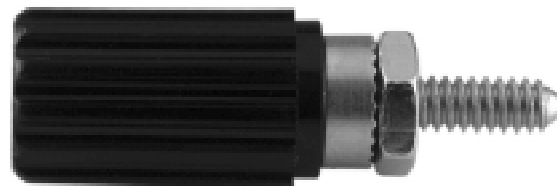
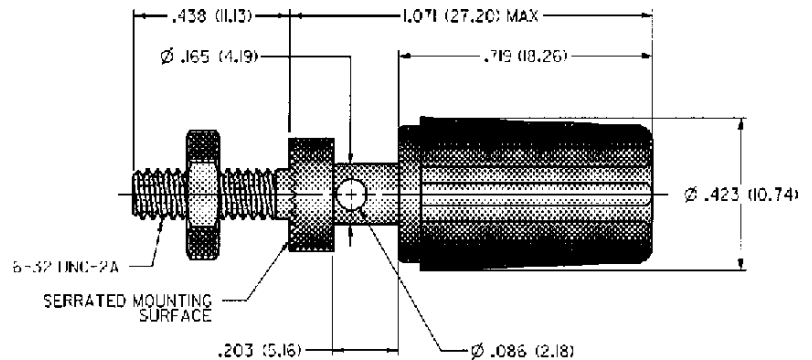
**Insulating Material:** Nylon 6/6 per ASTM D4066

**Hardware:** Nickel plated nut (unassembled)

**Panel Thickness:** Up to .313 (7.95)

### RATINGS

**Current:** 15 amps



NICKEL PLATING			
PART NO.	COLOR	PART NO.	COLOR
111-0701-001	White	111-0704-001	Green
111-0702-001	Red	111-0707-001	Yellow
111-0703-001	Black	111-0710-001	Blue

**For Standard Banana Plug: .175 (4.44) Across Flats**

### FEATURES:

- Serrated mounting surface prevents turning
- Captivated thumb nut
- .094 (2.39) diameter cross-hole accommodates up to 12 gauge wire
- Nylon UL approved for self-extinguishing

† Avoid user injury due to misapplication. See safety advisory definitions on page 2.

# Binding Posts

APPLICATION • Audio circuitry • RF circuitry

## Insulated Standard UL Type, W/Keyed Insulator

### SPECIFICATIONS

**Stud:** Brass per QQ-B-626D

**Finish:** Gold or Bright tin

**Insulating Material:** Nylon 6/6 per ASTM D4066

**Hardware:** Gold plated nuts or bright tin plated nuts (unassembled)

**Panel Thickness:** Range from .062 (1.58) to .250 (6.35)

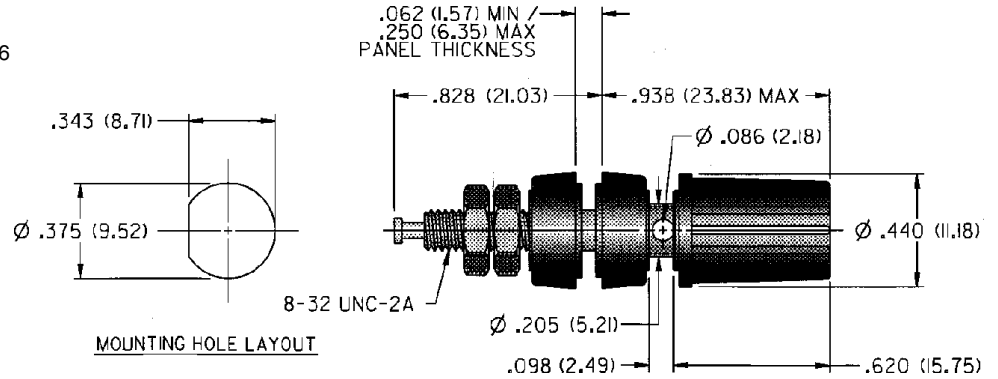
### RATINGS

**Current:** 15 amps

**Breakdown Voltage:** 1000 Vrms minimum†

**Stud-to-Panel:** 3.0 pF nominal

**Contact Resistance:** .010 ohms maximum

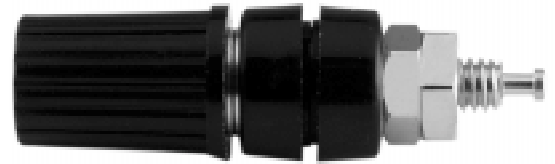


GOLD PLATING			
PART NO.	COLOR	PART NO.	COLOR
111-0742-002	Red	111-0743-002	Black

**For Standard Banana Plug:** .175 (4.44) Across Flats

### FEATURES:

- Keyed insulators prevent turning of installation
- Designed to meet UL-1244, IEC 348.P and 39.5-1974 specifications for distance of thumb to nut opening
- Nylon UL approved for self-extinguishing



† Avoid user injury due to misapplication. See safety advisory definitions on page 2.

# Mouser Electronics

Authorized Distributor

Click to View Pricing, Inventory, Delivery & Lifecycle Information:

## Cinch Connectivity Solutions:

[111-0701-001](#) [111-0707-001](#) [111-0742-002](#) [111-0202-001](#) [111-0710-001](#) [111-0112-001](#) [111-0203-001](#) [111-0704-001](#) [111-0113-001](#)