



Part Number : [1727040088](#)

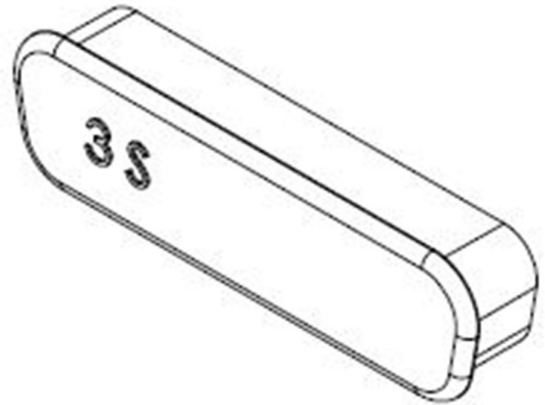
Product Description : FCT Plastic Dust Cap for Size 3 Female D-sub, Red

Series Number : 172704

Status : Active

Product Category : D-Sub Accessories

Engineering Number : F1042-3S




Documents & Resources

Specifications

[1731120002-PK-000.pdf](#)

Product Environment Compliance

Compliance

GADSL/IMDS	Not Relevant
China RoHS	
EU ELV	Not Relevant
Low-Halogen Status	Not Reviewed per IEC 61249-2-21
REACH SVHC	Not Contained per D(2024)4144-DC (27 June 2024)
EU RoHS	Compliant per EU 2015/863

Multiple Part Product Compliance Statements

- Eu RoHS
- REACH SVHC
- Low-Halogen

Multiple Part Industry Compliance Documents

- IPC 1752A Class C
- IPC 1752A Class D
- Molex Product Compliance Declaration
- IEC-62474

Part Details

General

Status	Active
Category	D-Sub Accessories
Series	172704
Description	FCT Plastic Dust Cap for Size 3 Female D-sub, Red
IP Rating	IP50
Magnetic	Yes
Product Name	FCT Products
Type	Connector or Backshell
UPC	889056019996

Electrical

Shielded	No
----------	----

Physical

Accessory Type	Dust Cap
Color - Resin	Red
Material - Body	Polyethylene
Net Weight	1.000/g
Packaging Type	Bag
Plating - Dust Cap	None

Use with Part(s)

Description	Part Number
Use With	FCT D-Sub, Size 3, Female
