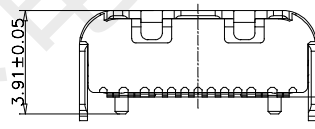
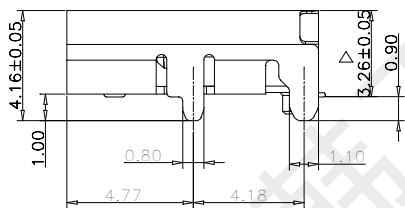
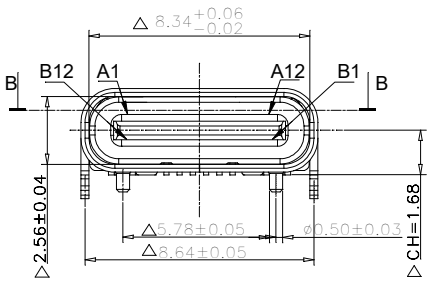
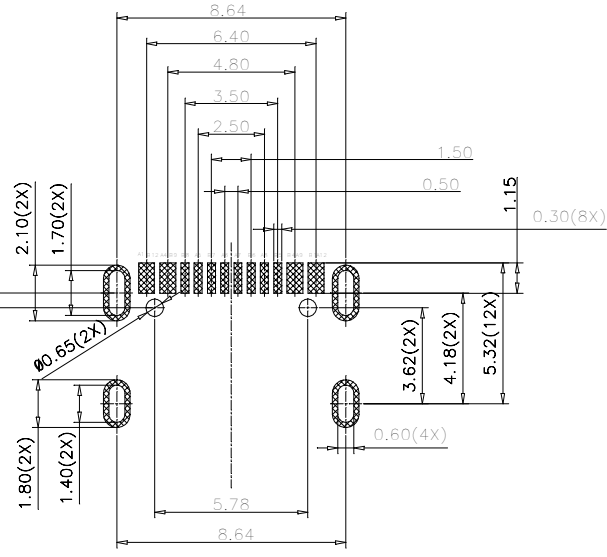


截面B-B

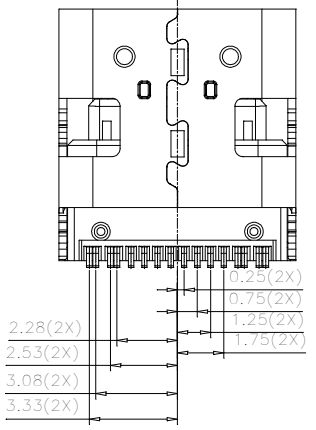


规格说明 Specifications:

1. 电气特性 Electrical:
  - 额定电压(Rated voltage): 20V DC
  - 额定电流(Rated current): 3A VBUS引脚; 1.25A用于GND引脚, 其他引脚为0.25A.
  - 接触电阻(Contact resistance): 40mΩ Max 测试条件:20mv, 100mA下测量.
  - 绝缘电阻(Insulation resistance): 100MΩ Min
  - 耐电压(Withstand Voltage): 100V AC
2. 机械性能 Mechanical:
  - 插入力(Mate force): 0.5-2.0Kg
  - 拔出力(Unmate force): 0.6-2.0Kg
  - 插拔次数(Durability): 10000 Cycles.
3. 材料 Material:
  - 胶芯(Housing): LCP UL94 V-0
  - 端子(Contact): C2680, T=0.2mm; 镍底, 镀金
  - 外壳(Shell): 不锈钢201-H 表面镀镍
4. 温度范围(Temperature Range): -30°C to +80°C.



RECOMMENDED P.C.B LAYOUT



PIN ASSIGNMENT:

Pin No.	Signal Name	Pin No.	Signal Name
A1	CND	B12	CND
A2		B11	
A3		B10	
A4	VBUS	B9	VBUS
A5	CC1	B8	SBU2
A6	D+	B7	D-
A7	D-	B6	D+
A8	SBU1	B5	CC2
A9	VBUS	B4	VBUS
A10		B3	
A11		B2	
A12	CND	B1	CND

X.	± 0.50	X°	± 2°	UNITS	mm
.X	± 0.30	.X°	± 1°		
.XX	± 0.10	.XX°	± 0.5°	MAT'L	/
.XXX	± 0.05				
				FINISH	/
				QTY	/

**深圳市韩下电子有限公司**  
 TITLE: **HX TYPE-C 16P L9.5**  
 APPD: **罗小春**      DWG NO.:  
 CHKD: **张伟**  
 DR: **黄彬**

	SCALE	SHEET	REV.
1/1	1/1	A	