

Description

The LM2902Q/2904Q series operational amplifiers consist of four and two independent high-gain operational amplifiers with very low input offset voltage specification. They are designed to operate from a single power supply over a wide range of voltages; however, operation from split power supplies is also possible. They offer low power supply current independent of the magnitude of the power supply voltage.

The LM2904Q dual devices are available in SO-8, TSSOP-8 and MSOP-8; and the LM2902Q quad devices are available in SO-14 and TSSOP-14. All are in industry-standard pinouts, and both use "green" mold compound as standard.

The LM2902Q/2904Q are characterized for operation from -40°C to +125°C, qualified to AEC-Q100 Grade 1 and are Automotive Compliant supporting PPAPs.

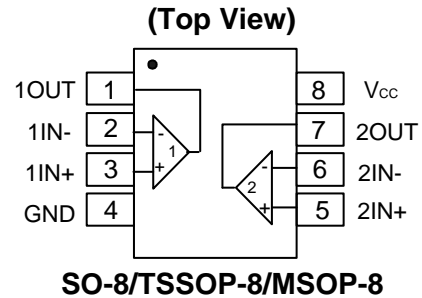
Features

- Wide Power Supply Voltage Range:
 - Single Supply: 3V to 36V
 - Dual Supplies: $\pm 1.5V$ to $\pm 18V$
- Very Low Supply Current Drain – Independent of Supply Voltage
 - LM2904Q: 500 μA
 - LM2902Q: 700 μA
- Low Input Bias Current: 20nA
- Low Input Offset Voltage:
 - A Versions: 1mV (Typ)
 - Non-A Version: 2mV (Typ)
- Large DC Voltage Gain: 100dB
- Wide Bandwidth (Unity Gain): 700kHz (Temperature Compensated)
- Internally Compensated with Unity Gain
- Input Common-Mode Voltage Range Includes Ground
- Differential Input Voltage Range Equal to Power Supply Voltage
- Large Output Voltage Swing: 0V to $V_{CC} - 1.5V$
- **Totally Lead-Free & Fully RoHS Compliant (Notes 1 & 2)**
- **Halogen and Antimony Free. "Green" Device (Note 3)**
- **Qualified to AEC-Q100 Grade 1**
- **PPAP Capable (Note 4)**

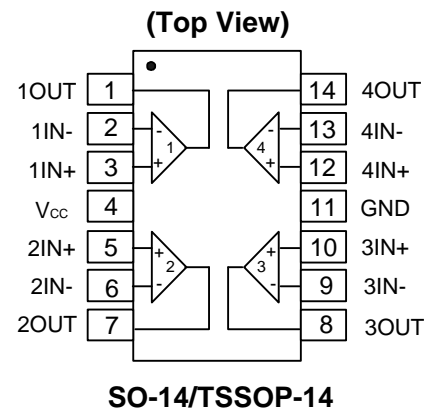
- Notes:
1. No purposely added lead. Fully EU Directive 2002/95/EC (RoHS) & 2011/65/EU (RoHS 2) compliant.
 2. See http://www.diodes.com/quality/lead_free.html for more information about Diodes Incorporated's definitions of Halogen- and Antimony-free, "Green" and Lead-free.
 3. Halogen- and Antimony-free "Green" products are defined as those which contain <900ppm bromine, <900ppm chlorine (<1500ppm total Br + Cl) and <1000ppm antimony compounds.
 4. Automotive products are AEC-Q100 qualified and are PPAP capable. Refer to http://www.diodes.com/quality/product_compliance_definitions/.

Pin Assignments

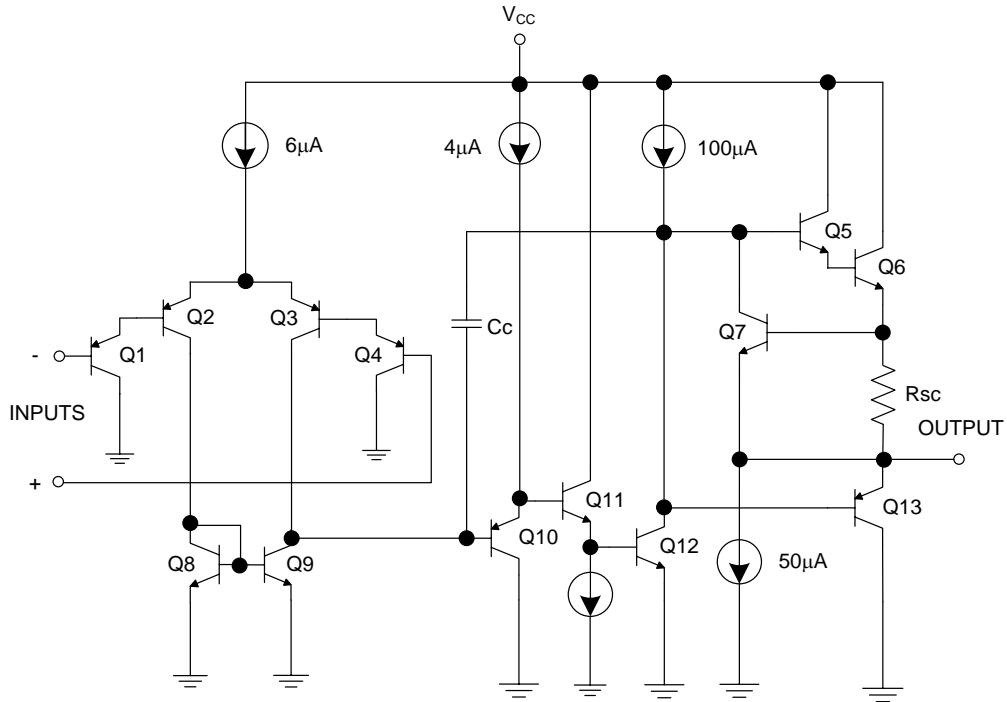
LM2904Q/ LM2904QA



LM2902Q/ LM2902QA



Schematic Diagram



**Functional Block Diagram of LM2902Q/ 2902AQ/ 2904Q/ 2904AQ
(Each Amplifier)**

Pin Descriptions

LM2902Q, LM2902AQ		
Pin Name	Pin #	Function
1OUT	1	Channel 1 Output
1IN-	2	Channel 1 Inverting Input
1IN+	3	Channel 1 Non-Inverting Input
V _{CC}	4	Chip Supply Voltage
2IN+	5	Channel 2 Non-Inverting Input
2IN-	6	Channel 2 Inverting Input
2OUT	7	Channel 2 Output
3OUT	8	Channel 3 Output
3IN-	9	Channel 3 Inverting Input
3IN+	10	Channel 3 Non-inverting Input
GND	11	Ground
4IN+	12	Channel 4 Non-Inverting Input
4IN-	13	Channel 4 Inverting Input
4OUT	14	Channel 4 Output
LM2904Q, LM2904AQ		
1OUT	1	Channel 1 Output
1IN-	2	Channel 1 Inverting Input
1IN+	3	Channel 1 Non-inverting Input
GND	4	Ground
2IN+	5	Channel 2 Non-Inverting Input
2IN-	6	Channel 2 Inverting Input
2OUT	7	Channel 2 Output
V _{CC}	8	Chip Supply Voltage

Absolute Maximum Ratings (Note 5) (@T_A = +25°C, unless otherwise specified.)

Symbol	Parameter		Rating	Unit
V _{CC}	Supply Voltage		±18 or 36	V
V _{ID}	Differential Input Voltage		36	V
V _{IN}	Input Voltage		-0.3 to +36	V
θ _{JA}	Package Thermal Impedance (Note 6)	LM2904_QS-13	150	°C/W
		LM2904_QTH-13	175	
		LM2904_QM8-13	200	
		LM2902_QS14	89	
		LM2902_QT14	100	
—	Output Short-Circuit to GND (One Amplifier) (Note 7)	V _{CC} ≤ 15V and T _A = +25°C	Continuous	—
T _A	Operating Temperature Range		-40 to +125	°C
T _J	Operating Junction Temperature		+150	°C
T _{ST}	Storage Temperature Range		-65 to +150	°C

- Notes:
- Stresses beyond those listed under absolute maximum ratings may cause permanent damage to the device. These are stress ratings only, functional operation of the device at these or any other conditions beyond those indicated under recommended operating conditions is not implied. Exposure to absolute-maximum-rated conditions for extended periods may affect device reliability.
 - Maximum power dissipation is a function of T_{J(max)}, θ_{JA}, and T_A. The maximum allowable power dissipation at any allowable ambient temperature is P_D = (T_{J(max)} - T_A)/θ_{JA}. Operating at the absolute maximum T_J of +150°C can affect reliability.
 - Short circuits from outputs to V_{CC} or ground can cause excessive heating and eventual destruction.

ESD Ratings

Human Body Mode ESD Protection (Note 8)	LM2901_QS14	500	V
	LM2901_QT14	500	
	LM2903_QS-13	500	
	LM2903_QTH-13	500	
	LM2903_QM8-13	<500	
Charge Device Mode ESD Protection	LM2901_QS14	1,000	
	LM2901_QT14		
	LM2903_QS-13		
	LM2903_QTH-13		
	LM2903_QM8-13		

Note: 8. Human body model, 1.5kΩ in series with 100pF.

Recommended Operating Conditions (Over Operating Free-Air Temperature Range, unless otherwise noted.)

Parameter		Min	Max	Units
Supply Voltage	Single Supply	2	36	V
	Dual Supply	±1	±18	
Ambient Temperature Range		-40	+125	°C
Junction Temperature Range		-40	+125	

Electrical Characteristics (Notes 12 & 13) (@ $V_{CC} = +5.0V$, $T_A = +25^\circ C$, unless otherwise specified.)

LM2902Q, LM2902AQ

Parameter		Conditions		T_A	Min	Typ	Max	Unit
V_{IO}	Input Offset Voltage	$V_{IC} = V_{CMR} \text{ Min,}$ $V_O = 1.4V,$ $V_{CC} = 5V \text{ to Max}$ $R_S = 0\Omega$	Non-A Device	$T_A = +25^\circ C$	—	2	7	mV
				Full Range	—	—	10	
			A-Suffix Device	$T_A = +25^\circ C$	—	1	2	
				Full Range	—	—	4	
$\Delta V_{IO}/\Delta T$	Input Offset Voltage Temperature Drift	$R_S = 0\Omega$	Full Range	—	7	—	$\mu V/^\circ C$	
I_B	Input Bias Current	I_{IN+} or I_{IN-} with OUT in Linear Range, $V_{CMR} = 0V$ (Note 9)	$T_A = +25^\circ C$	—	-20	-200	nA	
			Full Range	—	—	-500		
I_{IO}	Input Offset Current	$I_{IN+} - I_{IN-}, V_{CM} = 0V$	$T_A = +25^\circ C$	—	2	50	nA	
			Full Range	—	—	150		
$\Delta I_{IO}/\Delta T$	Input Offset Current Temperature Drift	—	Full Range	—	10	—	$pA/^\circ C$	
V_{CMR}	Input Common-Mode Voltage Range	$V_{CC} = 30V$ (Note 10)	$T_A = +25^\circ C$	0 to $V_{CC}-1.5$	—	—	V	
			Full Range	0 to $V_{CC}-2.0$	—	—		
I_{CC}	Supply Current (Four Amplifiers)	$V_O = 0.5 V_{CC}, \text{ No Load}$	$V_{CC} = 30V$	Full Range	—	1.0	3.0	mA
		$V_O = 0.5 V_{CC}, \text{ No Load}$	$V_{CC} = 5V$	Full Range	—	0.7	1.2	
A_V	Voltage Gain	$V_{CC} = 15V, V_{OUT} = 1V \text{ to } 11V,$ $R_L \geq 2k\Omega$	$T_A = +25^\circ C$	25	100	—	V/mV	
			Full Range	15	—	—		
CMRR	Common Mode Rejection Ratio	$DC, V_{CMR} = 0V \text{ to } V_{CC}-1.5V$	$T_A = +25^\circ C$	60	70	—	dB	
PSRR	Power Supply Rejection Ratio	$V_{CC} = 5V \text{ to } 30V$	$T_A = +25^\circ C$	70	100	—	dB	
—	Amplifier to Amplifier Coupling	$f = 1kHz \text{ to } 20kHz$ (Input Referred) (Note 11)	$T_A = +25^\circ C$	—	-120	—	dB	
I_{SINK}	Output Current	Sink	$V_{IN-} = 1V, V_{IN+} = 0V, V_{CC} = 15V,$ $V_O = 200mV$	$T_A = +25^\circ C$	12	50	—	μA
			$V_{IN-} = 1V, V_{IN+} = 0V, V_{CC} = 15V,$ $V_O = 15V$	$T_A = +25^\circ C$	10	20	—	mA
I_{SOURCE}	Output Current	Source	$V_{IN+} = 1V, V_{IN-} = 0V, V_{CC} = 15V,$ $V_O = 0V$	$T_A = +25^\circ C$	-20	-40	-60	
			Full Range	-10	—	—		
I_{SC}	Short-Circuit to Ground	$V_{CC} = 5V, GND = -5V, V_O = 0V$	$T_A = +25^\circ C$	—	± 40	± 60	mA	
V_{OH}	High-Level Output Voltage Swing	$R_L = 10k\Omega$	$T_A = +25^\circ C$	—	$V_{CC}-1.5$	—	V	
			Full Range	$R_L = 2k\Omega$	26	—		—
				$R_L \geq 10k\Omega$	27	28		—
V_{OL}	Low-Level Output Voltage Swing	$R_L \leq 10k\Omega$	Full Range	—	5	20	mV	

AC Electrical Characteristics (Notes 12 & 13) (@ $V_{CC} = \pm 15.0V$, $T_A = +25^\circ C$, unless otherwise specified.)

Parameter		Conditions	Typ	Unit
SR	Slew Rate at Unity Gain	$R_L = 1M\Omega, C_L = 30pF, V_I = \pm 10V$	0.3	$V/\mu s$
B1	Unity Gain Bandwidth	$R_L = 1M\Omega, C_L = 20pF$	0.7	MHz
V_n	Equivalent Input Noise Voltage	$R_S = 100\Omega, V_I = 0V, f = 1kHz$	40	nV/\sqrt{Hz}

- Notes:
- The direction of the input current is out of the IC due to the PNP input stage. This current is essentially constant, independent of the state of the output so that no loading change exists on the input lines.
 - The input common-mode voltage of either input signal voltage should not be allowed to become negative by more than 0.3V (@ $+25^\circ C$). The upper end of the common-mode voltage range is $V_{CC}-1.5V$ (@ $+25^\circ C$), but either or both inputs can go to +36V without damage, independent of the magnitude of V_{CC} .
 - Due to proximity of external components, ensure that coupling is not originating via stray capacitance between these external parts. This typically can be detected as this type of capacitance increases at higher frequencies.
 - Typical values are all at $T_A = +25^\circ C$ conditions and represent the most likely parametric norm as determined at the time of characterization. Actual typical values may vary over time and will also depend on the application and configuration. The typical values are not tested and are not guaranteed on shipped production material.
 - All limits are guaranteed by testing or statistical analysis. Limits over the full temperature ($-40 \leq T_A \leq +125^\circ C$) are guaranteed by design, but not tested in production.

Electrical Characteristics (continued) (Notes 12 & 13) (@ $V_{CC} = +5.0V$, $T_A = +25^\circ C$, unless otherwise specified.)

LM2904Q, LM2904AQ

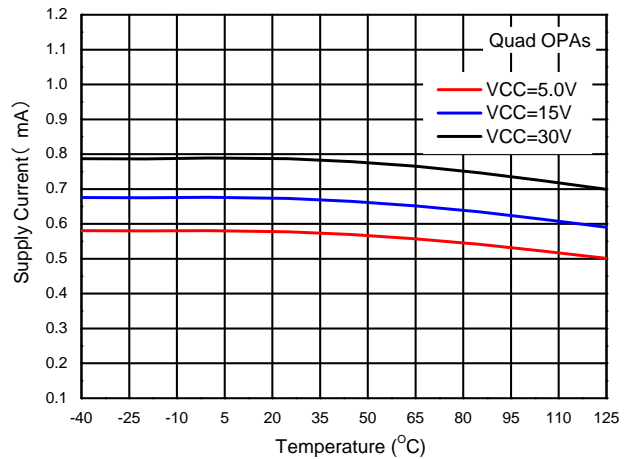
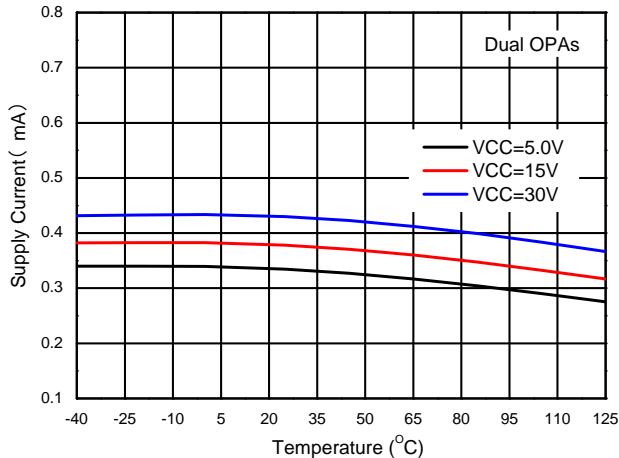
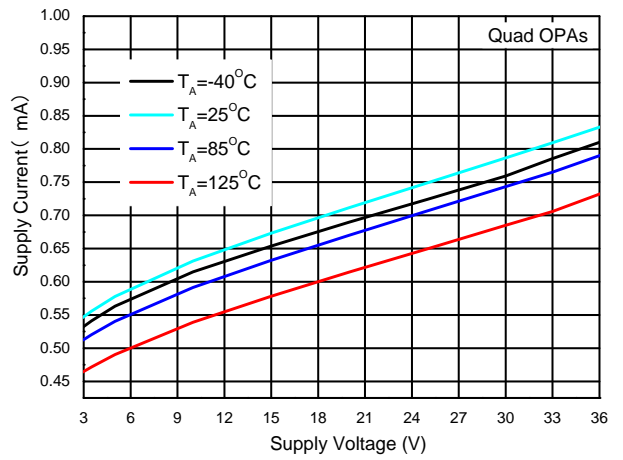
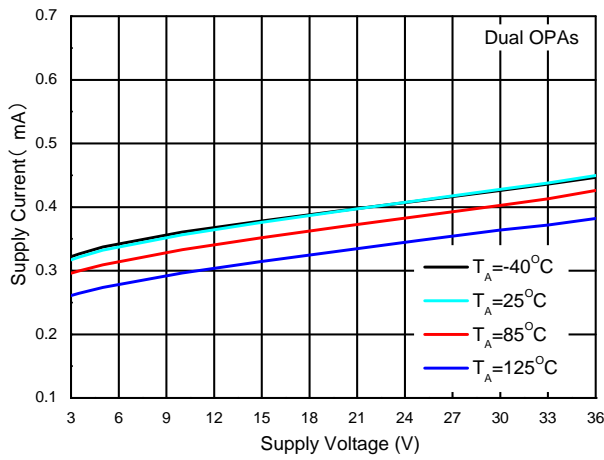
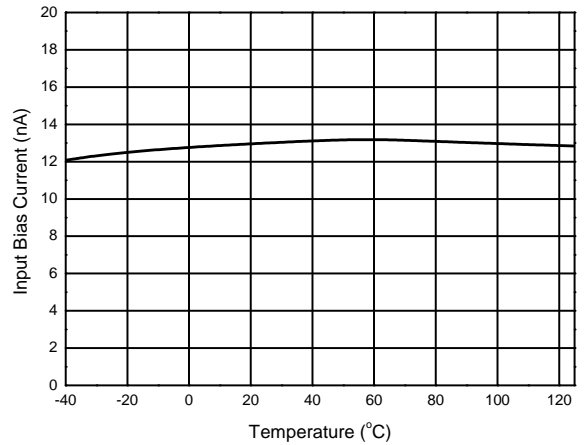
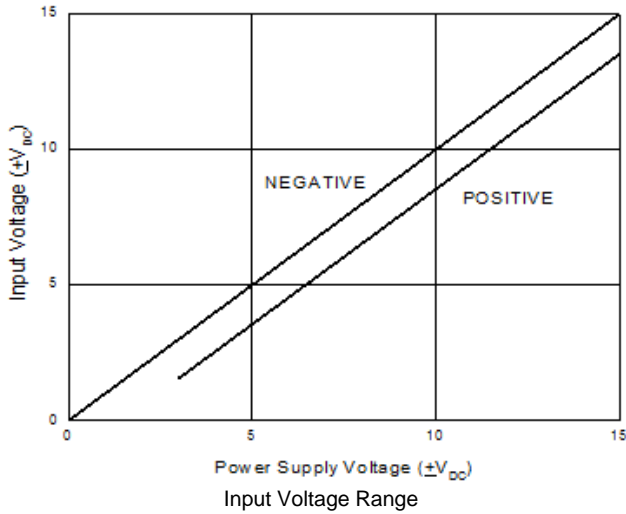
Parameter		Conditions		T_A	Min	Typ	Max	Unit
V_{IO}	Input Offset Voltage	$V_{IC} = V_{CMR} \text{ Min,}$ $V_O = 1.4V,$ $V_{CC} = 5V \text{ to MAX}$ $R_S = 0\Omega$	Non-A Device	$T_A = +25^\circ C$	—	2	7	mV
				Full Range	—	—	10	
			A-Suffix Device	$T_A = +25^\circ C$	—	1	2	
				Full Range	—	—	4	
$\Delta V_{IO}/\Delta T$	Input Offset Voltage Temperature Drift	$R_S = 0\Omega$		Full Range	—	7	—	$\mu V/^\circ C$
I_B	Input Bias Current	I_{IN+} or I_{IN-} with OUT in Linear Range, $V_{CMR} = 0V$ (Note 9)		$T_A = +25^\circ C$	—	-20	-250	nA
				Full Range	—	—	-500	
I_{IO}	Input Offset Current	$I_{IN+} - I_{IN-}, V_{CM} = 0V$		$T_A = +25^\circ C$	—	2	50	nA
				Full Range	—	—	150	
$\Delta I_{IO}/\Delta T$	Input Offset Current Temperature Drift	—		Full Range	—	10	—	$\mu A/^\circ C$
V_{CMR}	Input Common-Mode Voltage Range	$V_{CC} = 30V$ (Note 10)		$T_A = +25^\circ C$	0 to $V_{CC} - 1.5$	—	—	V
				Full Range	0 to $V_{CC} - 2.0$	—	—	
I_{CC}	Supply Current (Two Amplifiers)	$V_O = 0.5 V_{CC}, \text{ No Load}$	$V_{CC} = 30V$	Full Range	—	0.7	2.0	mA
		$V_O = 0.5 V_{CC}, \text{ No Load}$	$V_{CC} = 5V$	Full Range	—	0.5	1.2	
A_V	Voltage Gain	$V_{CC} = 15V, V_{OUT} = 1V \text{ to } 11V,$ $R_L \geq 2k\Omega,$		$T_A = +25^\circ C$	25	100	—	V/mV
				Full Range	15	—	—	
CMRR	Common Mode Rejection Ratio	DC, $V_{CMR} = 0V \text{ to } V_{CC} - 1.5V$		$T_A = +25^\circ C$	60	70	—	dB
PSRR	Power Supply Rejection Ratio	$V_{CC} = 5V \text{ to } 30V$		$T_A = +25^\circ C$	70	100	—	dB
	Amplifier to Amplifier Coupling	$f = 1kHz \text{ to } 20kHz$ (Note 11)		$T_A = +25^\circ C$	—	120	—	dB
I_{SINK}	Output Current	Sink	$V_{IN-} = 1V, V_{IN+} = 0V, V_{CC} = 15V,$ $V_O = 200mV$	$T_A = +25^\circ C$	12	50	—	μA
			$V_{IN-} = 1V, V_{IN+} = 0V, V_{CC} = 15V,$ $V_O = 15V$	Full Range	5	—	—	
I_{SOURCE}	Output Current	Source	$V_{IN+} = 1V, V_{IN-} = 0V, V_{CC} = 15V,$ $V_O = 0V$	$T_A = +25^\circ C$	-20	-40	-60	mA
			Full Range	-10	—	—		
I_{SC}	Short-Circuit to Ground	$V_{CC} = 5V, GND = -5V, V_O = 0V$		$T_A = +25^\circ C$	—	± 40	± 60	mA
V_{OH}	High-Level Output Voltage Swing	$R_L = 10k\Omega$		$T_A = +25^\circ C$	$V_{CC} - 1.5$	—	—	V
		$V_{CC} = 30V$	$R_L = 2k\Omega$	Full Range	26	—	—	
			$R_L \geq 10k\Omega$	Full Range	27	28	—	
V_{OL}	Low-Level Output Voltage Swing	$R_L \leq 10k\Omega$		Full Range	—	5	20	mV

AC Electrical Characteristics (Notes 12 & 13) (@ $V_{CC} = \pm 15.0V$, $T_A = +25^\circ C$, unless otherwise specified.)

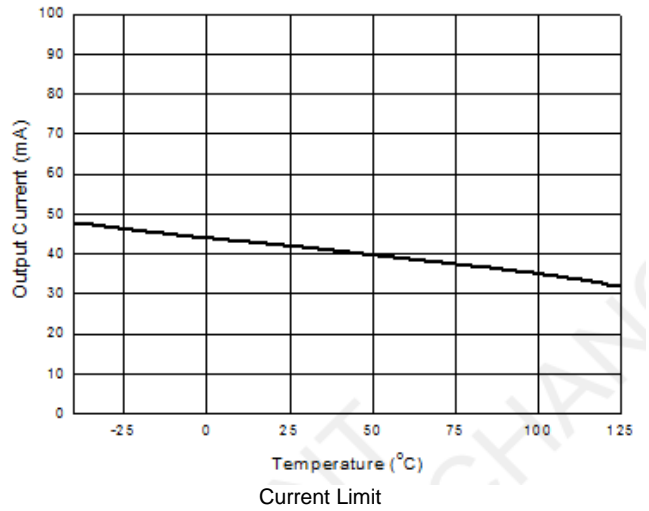
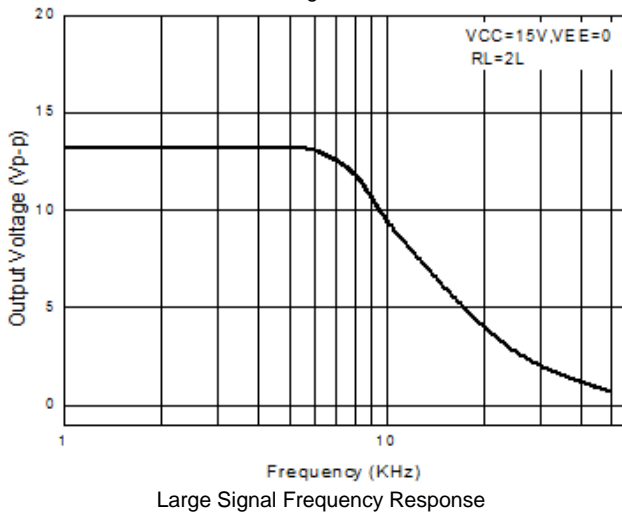
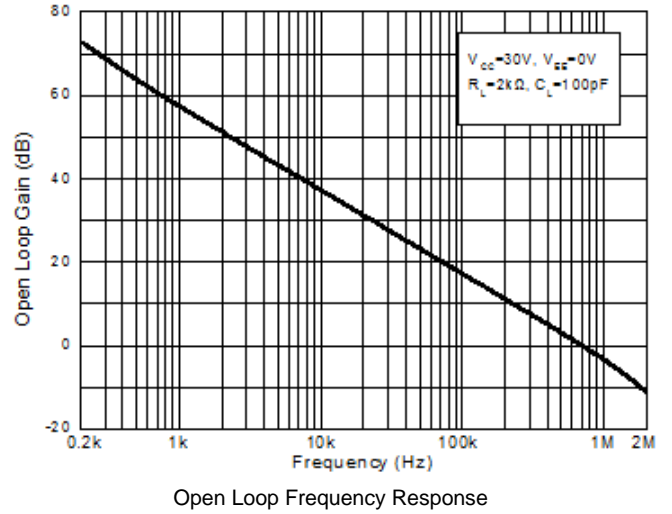
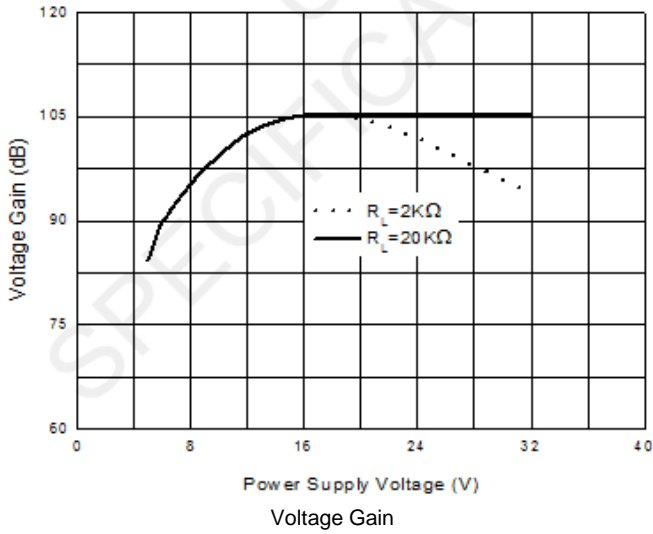
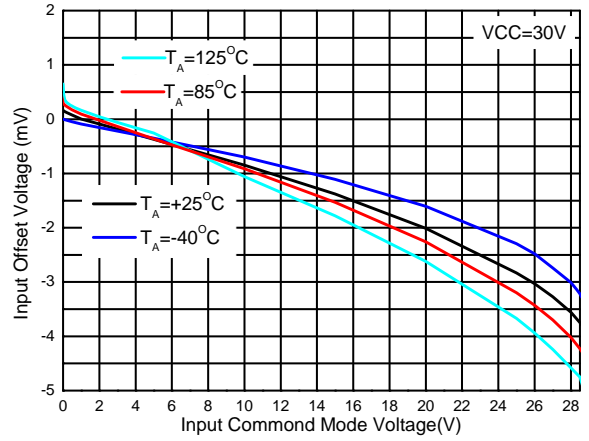
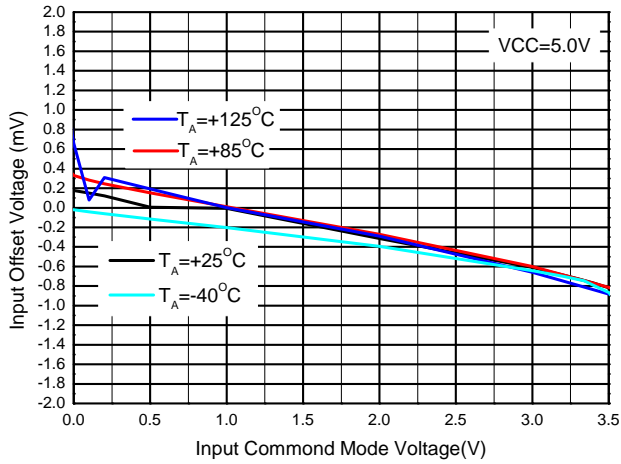
Parameter		Conditions	Typ	Unit
SR	Slew Rate at Unity Gain	$R_L = 1M\Omega, C_L = 30pF, V_I = \pm 10V$	0.3	$V/\mu s$
B1	Unity Gain Bandwidth	$R_L = 1M\Omega, C_L = 20pF$	0.7	MHz
V_n	Equivalent Input Noise Voltage	$R_S = 100\Omega, V_I = 0V, f = 1kHz$	40	nV/\sqrt{Hz}

- Notes:
- The direction of the input current is out of the IC due to the PNP input stage. This current is essentially constant, independent of the state of the output so that no loading change exists on the input lines.
 - The input common-mode voltage of either input signal voltage should not be allowed to become negative by more than 0.3V (@ +25°C). The upper end of the common-mode voltage range is $V_{CC} - 1.5V$ (@ +25°C), but either or both inputs can go to +36V without damage, independent of the magnitude of V_{CC} .
 - Due to proximity of external components, ensure that coupling is not originating via stray capacitance between these external parts. This typically can be detected as this type of capacitance increases at higher frequencies.
 - Typical values are all at $T_A = +25^\circ C$ conditions and represent the most likely parametric norm as determined at the time of characterization. Actual typical values may vary over time and will also depend on the application and configuration. The typical values are not tested and are not guaranteed on shipped production material.
 - All limits are guaranteed by testing or statistical analysis. Limits over the full temperature ($-40 \leq T_A \leq +125^\circ C$) are guaranteed by design, but not tested in production.

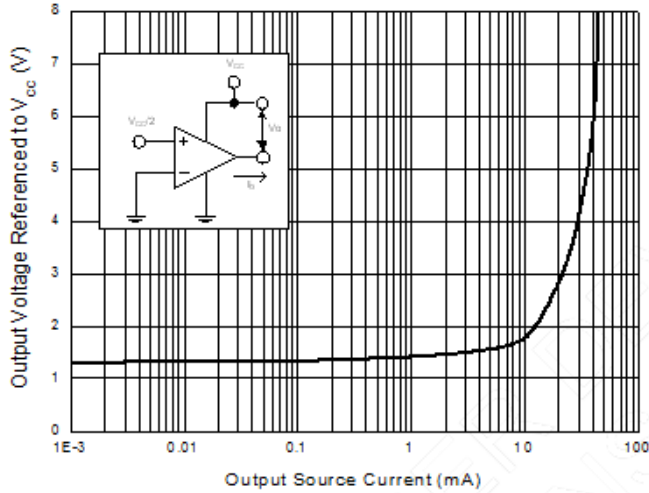
Performance Characteristics



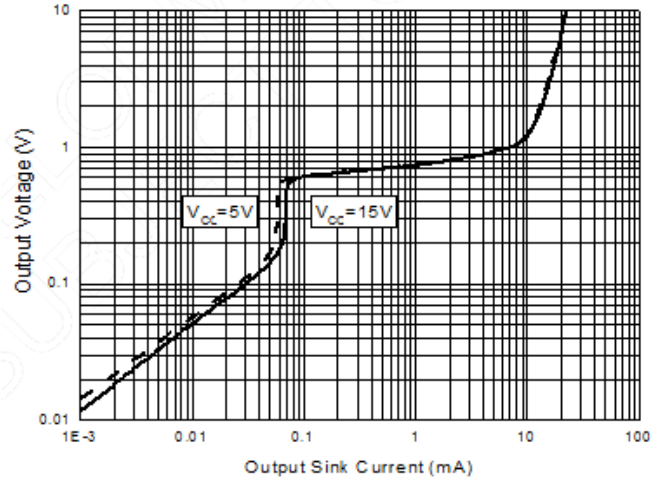
Performance Characteristics (continued)



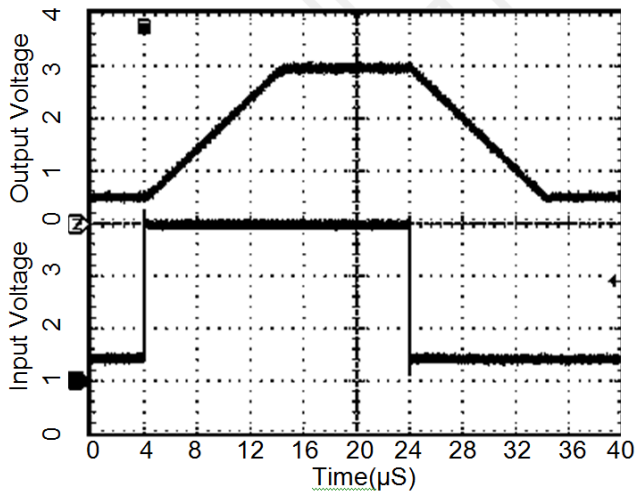
Performance Characteristics (cont.)



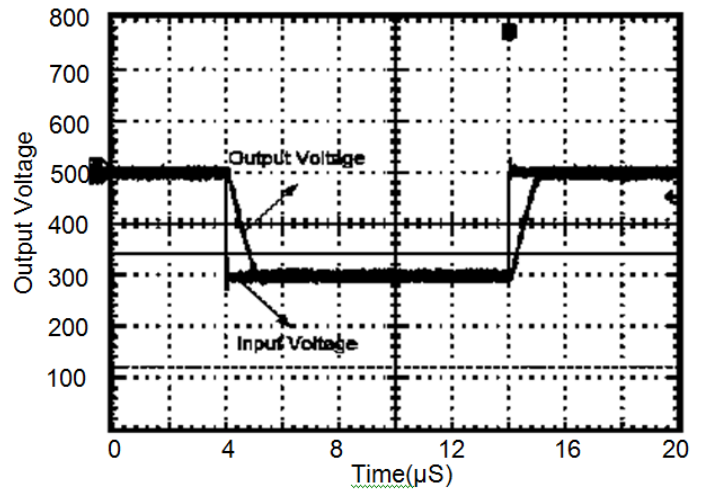
Output Characteristics: Current Sourcing



Output Characteristics: Current Sinking



Voltage Follower Pulse Response



Voltage Follower Pulse Response (Small Signal)

Application Information

General Information

The LM2902Q/2904Q series op amps which operate with only a single power supply voltage, have true-differential inputs and remain in the linear mode with an input common-mode voltage of 0 V_{DC} . These amplifiers operate over a wide range of power supply voltage with little change in performance characteristics. At +25°C, amplifier operation is possible down to a minimum supply voltage of 2.3 V_{DC} .

Precautions should be taken to ensure that the power supply for the integrated circuit never becomes reversed in polarity, or that the unit is not inadvertently installed backwards in a test socket. If precaution is not taken, an unlimited current surge through the resulting forward diode within the IC may occur and could cause fusing of the internal conductors, destroying the unit.

Large differential input voltages can be easily accommodated and, as input differential voltage protection diodes are not needed, no large input currents result from large differential input voltages. The differential input voltage may be larger than V^+ without damaging the device. Protection should be provided to prevent the input voltages from becoming negative more than -0.3 V_{DC} (@ +25°C). An input clamp diode with a resistor to the IC input terminal can be used.

To reduce the power supply current drain, the amplifiers have a class A output stage for small signal levels which converts to class B in a large signal mode. This allows the amplifiers to both source and sink large output currents. Therefore both NPN and PNP external current boost transistors can be used to extend the power capability of the basic amplifiers. The output voltage needs to raise approximately 1 diode drop above ground to bias the on-chip vertical PNP transistor for output current sinking applications.

For AC applications where the load is capacitive coupled to the output of the amplifier, a resistor should be used from the output of the amplifier to ground to increase the class A bias current, and prevent crossover distortion. Where the load is directly coupled, as in DC applications, there is no crossover distortion.

Capacitive loads which are applied directly to the output of the amplifier reduce the loop stability margin. Values of 50pF can be accommodated using the worst-case non-inverting unity gain connection. Large closed loop gains or resistive isolation should be used if larger load capacitance must be driven by the amplifier.

The bias network of the LM2902Q/2904Q series establishes a quiescent current which is independent of the magnitude of the power supply voltage over the range of 3 V_{DC} to 30 V_{DC} .

Output short circuits either to ground or to the positive power supply should be of short time duration. Units can be destroyed, not as a result of the short circuit current causing metal fusing, but rather due to the large increase in IC chip dissipation which will cause eventual failure due to excessive junction temperatures. Putting direct short-circuits on more than one amplifier at a time will increase the total IC power dissipation to destructive levels, if not properly protected with external dissipation limiting resistors in series with the output leads of the amplifiers. The larger value of output source current which is available at +25°C provides a larger output current capability at elevated temperatures (see Typical Performance Characteristics) than a standard IC op amp.

The circuits presented in Typical Applications section emphasize operation on a single power supply voltage. If complementary power supplies are available, all of the standard op amp circuits can be used. In general, introducing a pseudo-ground (a bias voltage reference of $V_{CC}/2$) will allow operation above and below this value in single power supply systems. Many application circuits are shown which take advantage of the wide input common-mode voltage range which includes ground. In most cases, input biasing is not required and input voltages which range to ground can easily be accommodated.

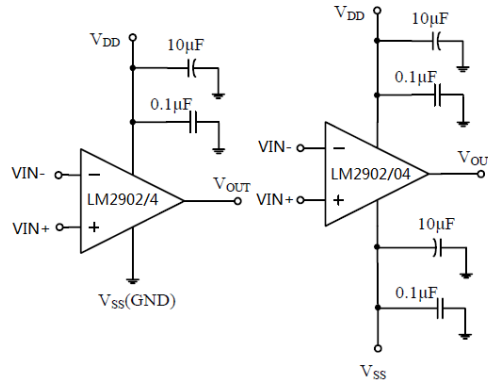
Application Information (continued)

Power Supply Bypassing and Layout

The LM2902Q/04Qxx family operates from both single supply voltage range 3 to 36V, or dual supply voltage $\pm 1.5V$ to $\pm 18V$.

As with any operation amplifier, proper supply bypassing is critical for low noise performance and high power supply rejection. For single supply operation system, a minimum $0.1\mu F$ bypass capacitor should be recommended to place as close as possible between V_{CC} pin and GND. For dual supply operation, both the positive supply pin and negative supply pin should be bypassed to ground with a separate $0.1\mu F$ ceramic capacitor.

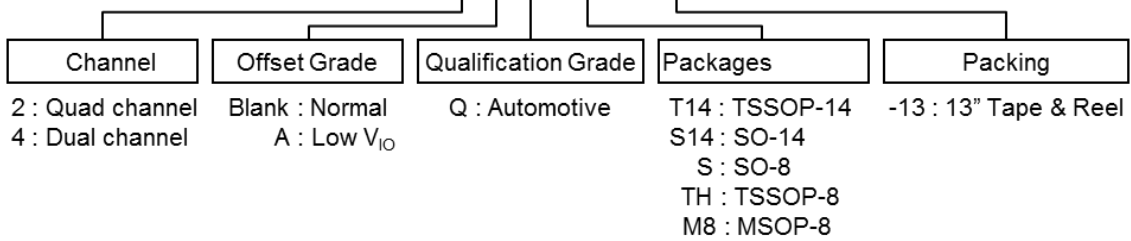
$2.2\mu F$ tantalum capacitor can be added for better performance. Keep the length of leads and traces that connect capacitors between LM29xx power supply pin and ground as short as possible.



Amplifier with Bypass Capacitors

Ordering Information

LM290X X Q XXX - XX

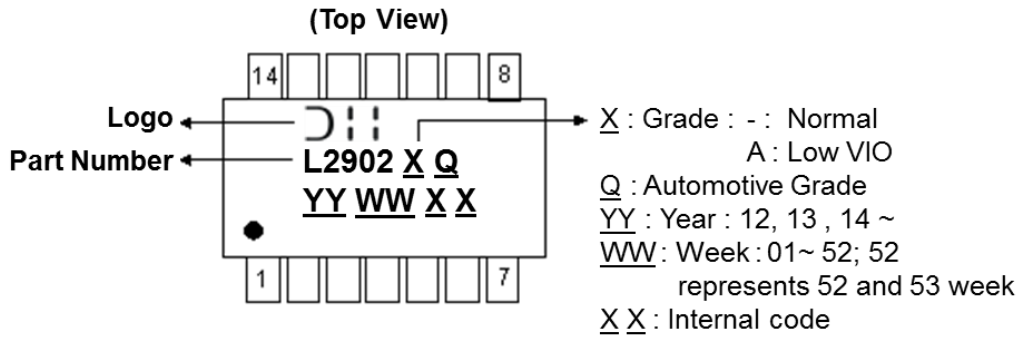


Part Number	Package Code	Packaging (Note 14)	13" Tape and Reel		Qualification (Note 15)
			Quantity	Part Number Suffix	
LM2902QT14-13	T14	TSSOP-14	2,500/Tape & Reel	-13	Automotive Compliant
LM2902AQT14-13	T14	TSSOP-14	2,500/Tape & Reel	-13	Automotive Compliant
LM2902QS14-13	S14	SO-14	2,500/Tape & Reel	-13	Automotive Compliant
LM2902AQS14-13	S14	SO-14	2,500/Tape & Reel	-13	Automotive Compliant
LM2904QS-13	S	SO-8	2,500/Tape & Reel	-13	Automotive Compliant
LM2904AQS-13	S	SO-8	2,500/Tape & Reel	-13	Automotive Compliant
LM2904QTH-13	TH	TSSOP-8	2,500/Tape & Reel	-13	Automotive Compliant
LM2904AQTTH-13	TH	TSSOP-8	2,500/Tape & Reel	-13	Automotive Compliant
LM2904QM8-13	M8	MSOP-8	2,500/Tape & Reel	-13	Automotive Compliant
LM2904AQM8-13	M8	MSOP-8	2,500/Tape & Reel	-13	Automotive Compliant

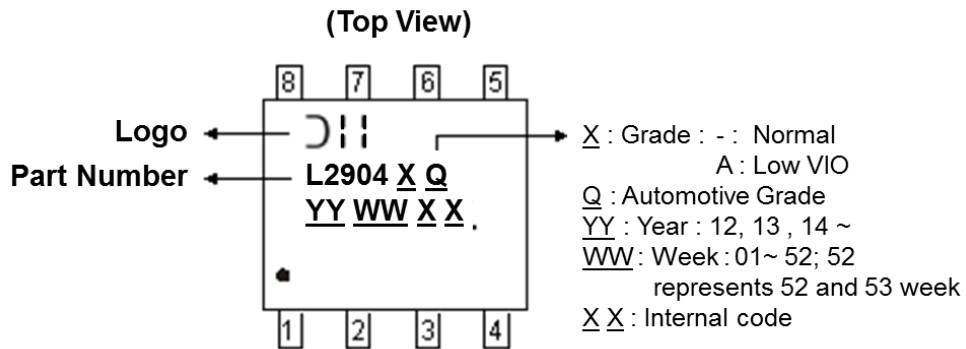
Notes: 14. For packaging details, go to our website at <http://www.diodes.com/products/packages.html>.
 15. LM2902Q/2904Q have been qualified to AEC-Q100 grade 1 and are classified as "Automotive Compliant" which supports PPAP documentation. See LM2902/2904 datasheet for commercial qualified versions.

Marking Information

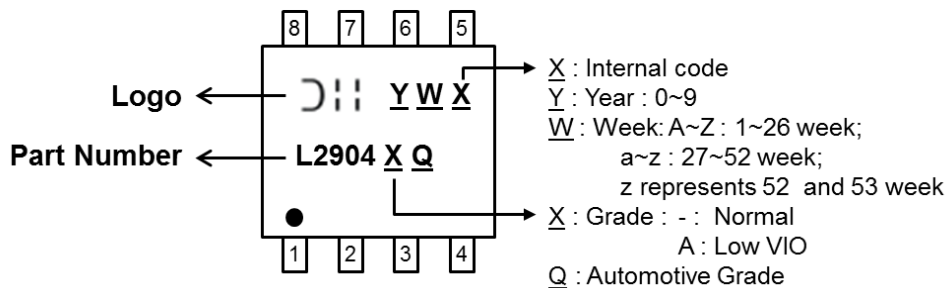
(1) TSSOP-14 and SO-14



(2) SO-8



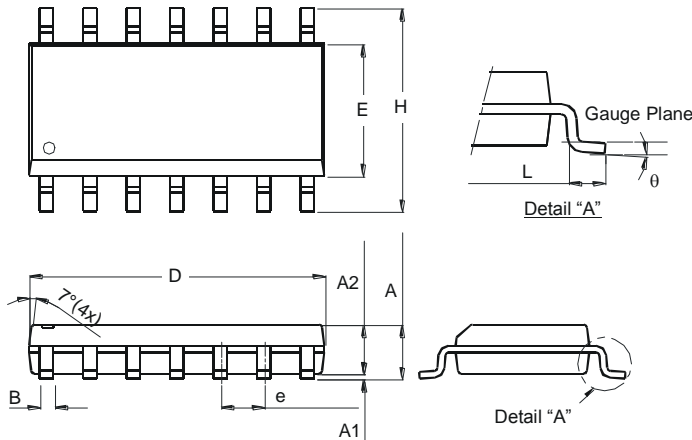
(3) MSOP-8 and TSSOP-8



Package Outline Dimensions

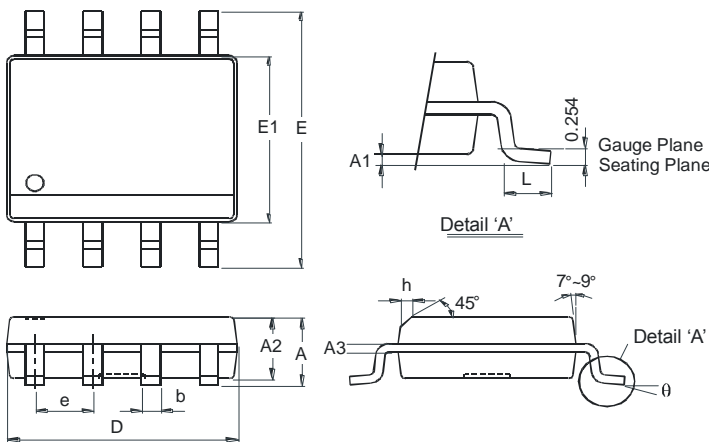
Please see <http://www.diodes.com/package-outlines.html> for the latest version.

SO-14



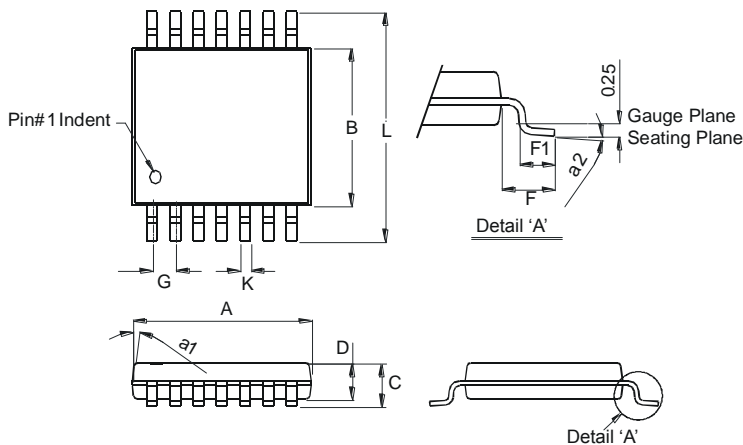
SO-14		
Dim	Min	Max
A	1.47	1.73
A1	0.10	0.25
A2	1.45 Typ	
B	0.33	0.51
D	8.53	8.74
E	3.80	3.99
e	1.27 Typ	
H	5.80	6.20
L	0.38	1.27
θ	0°	8°
All Dimensions in mm		

SO-8



SO-8		
Dim	Min	Max
A	—	1.75
A1	0.10	0.20
A2	1.30	1.50
A3	0.15	0.25
b	0.3	0.5
D	4.85	4.95
E	5.90	6.10
E1	3.85	3.95
e	1.27 Typ	
h	—	0.35
L	0.62	0.82
θ	0°	8°
All Dimensions in mm		

TSSOP-14

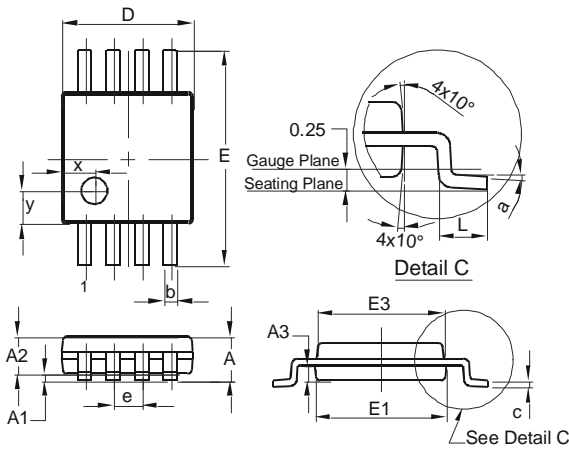


TSSOP-14		
Dim	Min	Max
a1	7° (4X)	
a2	0°	8°
A	4.9	5.10
B	4.30	4.50
C	—	1.2
D	0.8	1.05
F	1.00 Typ	
F1	0.45	0.75
G	0.65 Typ	
K	0.19	0.30
L	6.40 Typ	
All Dimensions in mm		

Package Outline Dimensions (continued)

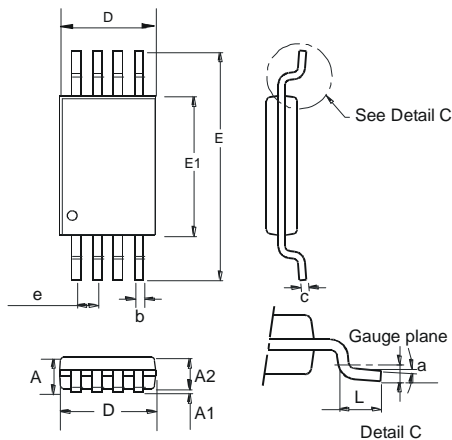
Please see <http://www.diodes.com/package-outlines.html> for the latest version.

MSOP-8



MSOP-8			
Dim	Min	Max	Typ
A	-	1.10	-
A1	0.05	0.15	0.10
A2	0.75	0.95	0.86
A3	0.29	0.49	0.39
b	0.22	0.38	0.30
c	0.08	0.23	0.15
D	2.90	3.10	3.00
E	4.70	5.10	4.90
E1	2.90	3.10	3.00
E3	2.85	3.05	2.95
e	-	-	0.65
L	0.40	0.80	0.60
a	0°	8°	4°
x	-	-	0.750
y	-	-	0.750
All Dimensions in mm			

TSSOP-8

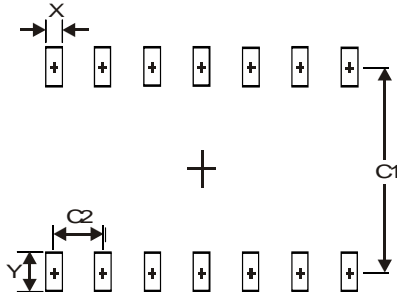


TSSOP-8			
Dim	Min	Max	Typ
a	0.09	-	-
A	-	1.20	-
A1	0.05	0.15	-
A2	0.825	1.025	0.925
b	0.19	0.30	-
c	0.09	0.20	-
D	2.90	3.10	3.025
e	-	-	0.65
E	-	-	6.40
E1	4.30	4.50	4.425
L	0.45	0.75	0.60
All Dimensions in mm			

Suggested Pad Layout

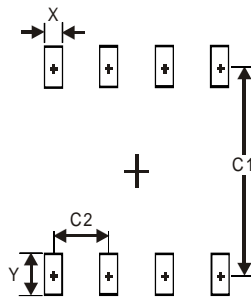
Please see <http://www.diodes.com/package-outlines.html> for the latest version.

SO-14



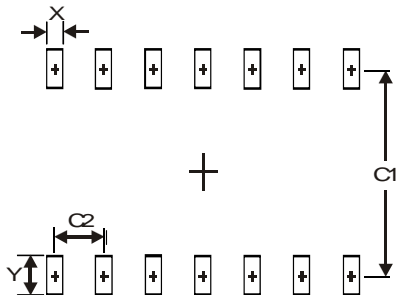
Dimensions	Value (in mm)
X	0.60
Y	1.50
C1	5.4
C2	1.27

SO-8



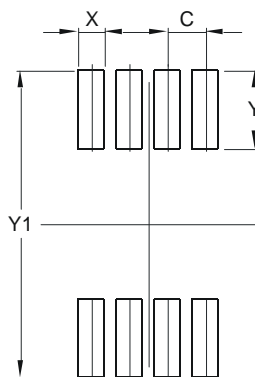
Dimensions	Value (in mm)
X	0.60
Y	1.55
C1	5.4
C2	1.27

TSSOP-14



Dimensions	Value (in mm)
X	0.45
Y	1.45
C1	5.9
C2	0.65

MSOP-8

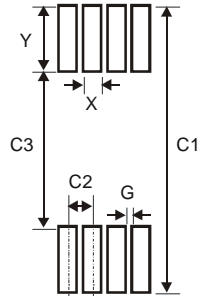


Dimensions	Value (in mm)
C	0.650
X	0.450
Y	1.350
Y1	5.300

Suggested Pad Layout (continued)

Please see <http://www.diodes.com/package-outlines.html> for the latest version.

TSSOP-8



Dimensions	Value (in mm)
X	0.45
Y	1.78
C1	7.72
C2	0.65
C3	4.16
G	0.20

IMPORTANT NOTICE

DIODES INCORPORATED MAKES NO WARRANTY OF ANY KIND, EXPRESS OR IMPLIED, WITH REGARDS TO THIS DOCUMENT, INCLUDING, BUT NOT LIMITED TO, THE IMPLIED WARRANTIES OF MERCHANTABILITY AND FITNESS FOR A PARTICULAR PURPOSE (AND THEIR EQUIVALENTS UNDER THE LAWS OF ANY JURISDICTION).

Diodes Incorporated and its subsidiaries reserve the right to make modifications, enhancements, improvements, corrections or other changes without further notice to this document and any product described herein. Diodes Incorporated does not assume any liability arising out of the application or use of this document or any product described herein; neither does Diodes Incorporated convey any license under its patent or trademark rights, nor the rights of others. Any Customer or user of this document or products described herein in such applications shall assume all risks of such use and will agree to hold Diodes Incorporated and all the companies whose products are represented on Diodes Incorporated website, harmless against all damages.

Diodes Incorporated does not warrant or accept any liability whatsoever in respect of any products purchased through unauthorized sales channel. Should Customers purchase or use Diodes Incorporated products for any unintended or unauthorized application, Customers shall indemnify and hold Diodes Incorporated and its representatives harmless against all claims, damages, expenses, and attorney fees arising out of, directly or indirectly, any claim of personal injury or death associated with such unintended or unauthorized application.

Products described herein may be covered by one or more United States, international or foreign patents pending. Product names and markings noted herein may also be covered by one or more United States, international or foreign trademarks.

This document is written in English but may be translated into multiple languages for reference. Only the English version of this document is the final and determinative format released by Diodes Incorporated.

LIFE SUPPORT

Diodes Incorporated products are specifically not authorized for use as critical components in life support devices or systems without the express written approval of the Chief Executive Officer of Diodes Incorporated. As used herein:

A. Life support devices or systems are devices or systems which:

1. are intended to implant into the body, or
2. support or sustain life and whose failure to perform when properly used in accordance with instructions for use provided in the labeling can be reasonably expected to result in significant injury to the user.

B. A critical component is any component in a life support device or system whose failure to perform can be reasonably expected to cause the failure of the life support device or to affect its safety or effectiveness.

Customers represent that they have all necessary expertise in the safety and regulatory ramifications of their life support devices or systems, and acknowledge and agree that they are solely responsible for all legal, regulatory and safety-related requirements concerning their products and any use of Diodes Incorporated products in such safety-critical, life support devices or systems, notwithstanding any devices- or systems-related information or support that may be provided by Diodes Incorporated. Further, Customers must fully indemnify Diodes Incorporated and its representatives against any damages arising out of the use of Diodes Incorporated products in such safety-critical, life support devices or systems.

Copyright © 2016, Diodes Incorporated

www.diodes.com