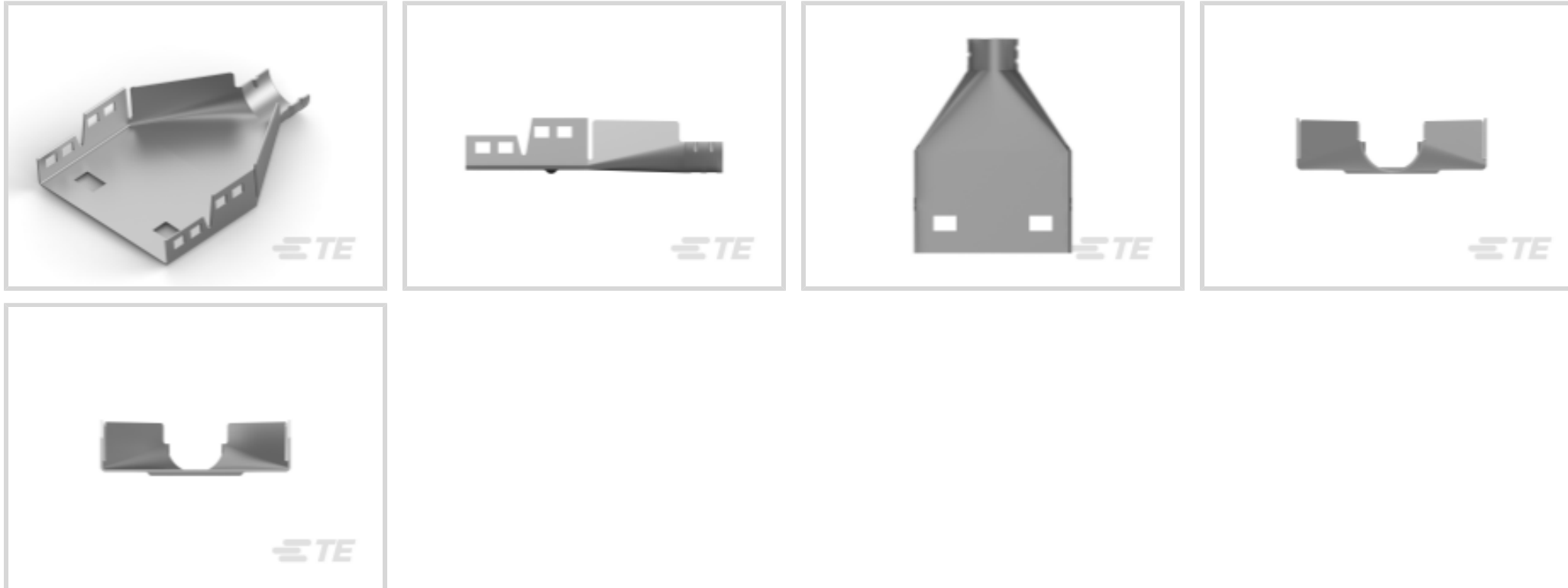




Connectors > Connector Accessories > Connector Caps & Covers



Connector Cover Type: **Shield (Upper)**

Number of Positions: **16**

Features

Product Type Features

Connector Cover Type	Shield (Upper)
----------------------	----------------

Configuration Features

Number of Positions	16
---------------------	----

Industry Standards

Compatible With Agency/Standards Products	CSA, UL
UL Flammability Rating	UL 94V-2

Packaging Features

Packaging Quantity	1000
Packaging Method	Loose Piece

Product Compliance

[For compliance documentation, visit the product page on TE.com>](#)

EU RoHS Directive 2011/65/EU	Compliant
EU ELV Directive 2000/53/EC	Compliant
China RoHS 2 Directive MIIT Order No 32, 2016	No Restricted Materials Above Threshold
EU REACH Regulation (EC) No. 1907/2006	Current ECHA Candidate List: JUNE 2024 (241)

Candidate List Declared Against: JAN 2023
(233)

Does not contain REACH SVHC

Halogen Content

Low Halogen - Br, Cl, F, I < 900 ppm per homogenous material. Also BFR/CFR/PVC Free

Solder Process Capability

Not applicable for solder process capability

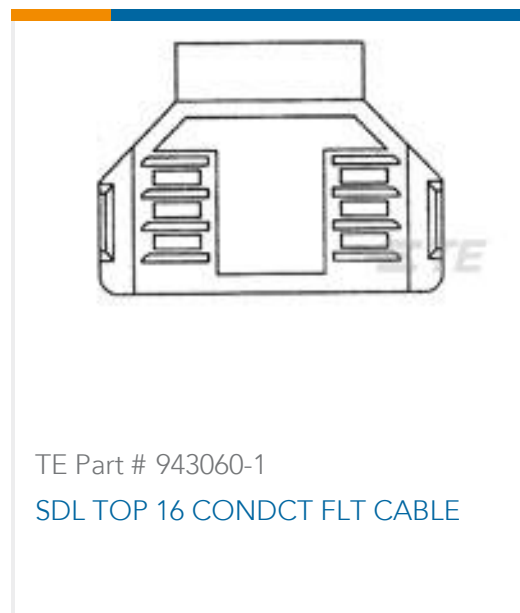
Product Compliance Disclaimer

This information is provided based on reasonable inquiry of our suppliers and represents our current actual knowledge based on the information they provided. This information is subject to change. The part numbers that TE has identified as EU RoHS compliant have a maximum concentration of 0.1% by weight in homogenous materials for lead, hexavalent chromium, mercury, PBB, PBDE, DBP, BBP, DEHP, DIBP, and 0.01% for cadmium, or qualify for an exemption to these limits as defined in the Annexes of Directive 2011/65/EU (RoHS2). Finished electrical and electronic equipment products will be CE marked as required by Directive 2011/65/EU. Components may not be CE marked. Additionally, the part numbers that TE has identified as EU ELV compliant have a maximum concentration of 0.1% by weight in homogenous materials for lead, hexavalent chromium, and mercury, and 0.01% for cadmium, or qualify for an exemption to these limits as defined in the Annexes of Directive 2000/53/EC (ELV). Regarding the REACH Regulation, the information TE provides on SVHC in articles for this part number is based on the latest European Chemicals Agency (ECHA) 'Guidance on requirements for substances in articles' posted at this URL: <https://echa.europa.eu/guidance-documents/guidance-on-reach>

Compatible Parts



TE Part # 1-58166-3
DIE SSDL DIE SET



TE Part # 943060-1
SDL TOP 16 CONDCT FLT CABLE

Customers Also Bought



TE Part #1658645-1
KIT,HDP-20,OVRMLD,PLUG,SIZE 1,



TE Part #1658651-1
KIT,HDP-20,OVRMLD,RCPT,SIZE 4,



TE Part #5747539-1
KIT,RCPT,15P,HDP-20,SHLD HDWRE



TE Part #1658646-1
KIT,HDP-20,OVRMLD,RCPT,SIZE 1,



Documents

Product Drawings

[16 SDL RND SHIELD, TOP, BULK PKG](#)

English

CAD Files

[3D PDF](#)

3D

Customer View Model

[ENG_CVM_CVM_520466-1_U.2d_dxf.zip](#)

English

Customer View Model

[ENG_CVM_CVM_520466-1_U.3d_igs.zip](#)

English

Customer View Model

[ENG_CVM_CVM_520466-1_U.3d_stp.zip](#)

English

By downloading the CAD file I accept and agree to the [Terms and Conditions](#) of use.

Product Specifications

[Application Specification](#)

English

Instruction Sheets

[Instruction Sheet \(U.S.\)](#)

English