

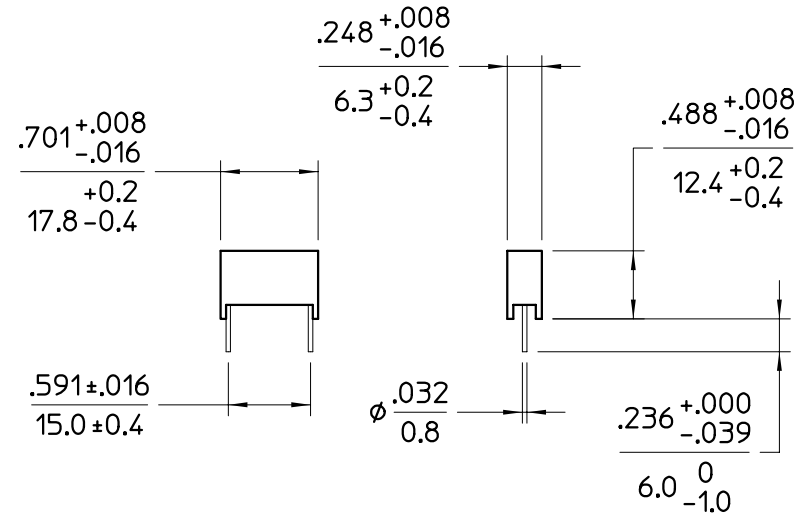
VICOR CONFIDENTIAL

THIS DOCUMENT AND THE DATA DISCLOSED  
HEREIN OR HEREWITH IS NOT TO BE REPRODUCED,  
USED, OR DISCLOSED IN WHOLE OR IN PART  
TO ANYONE WITHOUT PERMISSION OF VICOR CORP.

REV.	DESCRIPTION	DATE	APPROVED
01	RELEASED PER E020225	PEI 5/3/02	GCK

## ELECTRICAL CHARACTERISTICS

RATED VOLTAGE:	250 VAC, 50/60 Hz
PERMISSIBLE DC VOLTAGE:	1000 Vdc
DISSIPATION FACTOR:	< 1% MEASURED AT 1 KHZ
MAXIMUM PULSE RISE TIME:	du/dt 200V / uSEC
TEST VOLTAGE:	BETWEEN TERMINATIONS 5000 Vdc / 1 SEC.
INSULATION RESISTANCE:	15000 MEGOHM MINIMUM VALUE



**NOTES:**

1. DIELECTRIC MATERIAL: POLYESTER-FILM (MKT)
2. COATING: PLASTIC CASE, EPOXY RESIN SEALED, FLAME RETARDANT.
3. LEADS ARE TINNED COPPER WIRE.
4. TEMPERATURE RATING: -40 TO +100°C
5. APPROVALS INCLUDE VDE,SEV,DEMKO,SEMKO,NEMKO,  
SETI, UL,IMQ,OVE AND CSA.
6. DIMENSIONS ARE IN  $\frac{\text{INCHES}}{\text{MM}}$

DRAWN BY <i>P.E.IENI</i>		DATE 3/20/02			
UNLESS OTHERWISE SPECIFIED DIMENSIONS ARE IN INCHES- TOLERANCES ARE: FRACTIONS DECIMALS ANGLES *1/64 XX* *.01 *1° XXX* *.005					
CAP, RFI, AXIAL 0.01uF, ±20%, 250 V, (Y2)					
THIRD ANGLE PROJECTION 		SIZE <b>B</b>	FSCM NO. <b>67131</b>	DWG NO. 01501	REV 01
DO NOT SCALE DRAWING		SCALE 1:1	SHEET 1 OF 1		