

**G-Switch Specification:**

1. Current rated: 0.4A AC/DC
2. Voltage rating: 50V AC/DC
3. Withstanding voltage: 200V AC
4. Contact resistance: 20mΩ max.
5. Insulation resistance: 500MΩ min
6. Durability cycle: 30Cycles
7. Removal force: 0.21kgf/Pin min
8. Operating temperature range: -25°C ~ +85°C



GT-F1003 S V 54 -XX X XX 01

G-Switch

Series No

Termipoint  
S-SMT

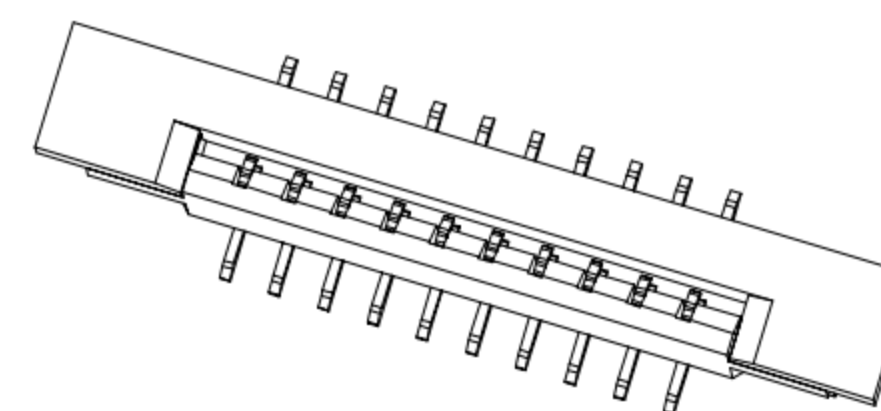
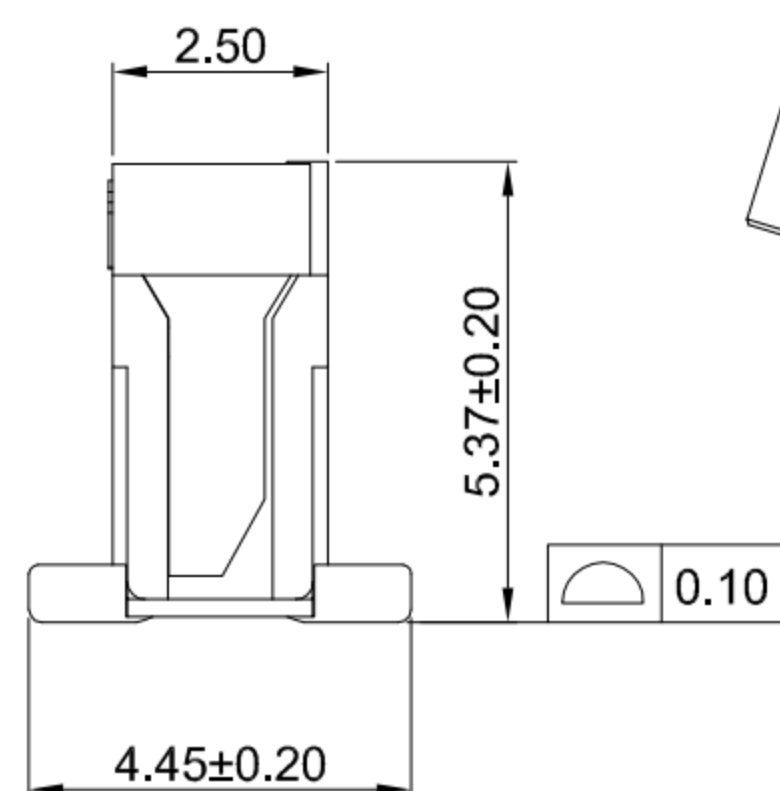
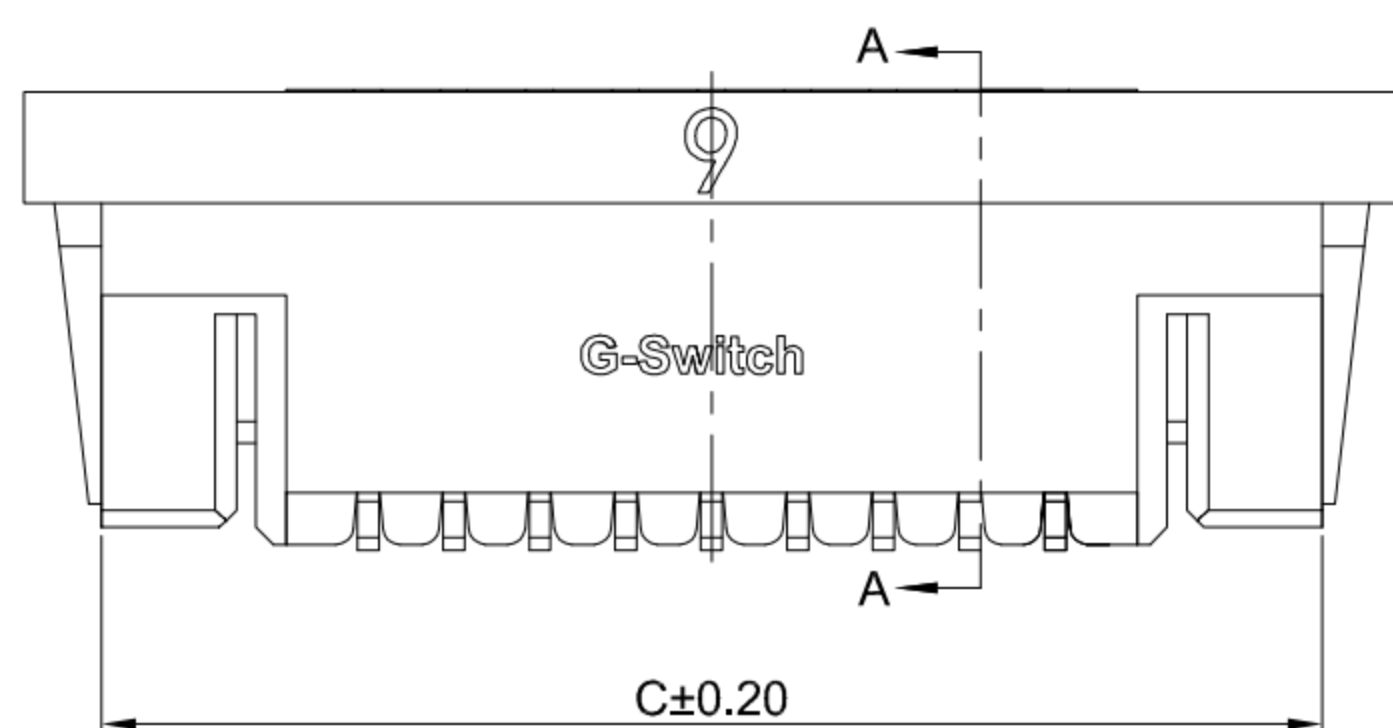
Angle  
V-180°

Terminal Plating  
01-G/F  
MT-Matte Tin

Housing Colour  
S-Nature

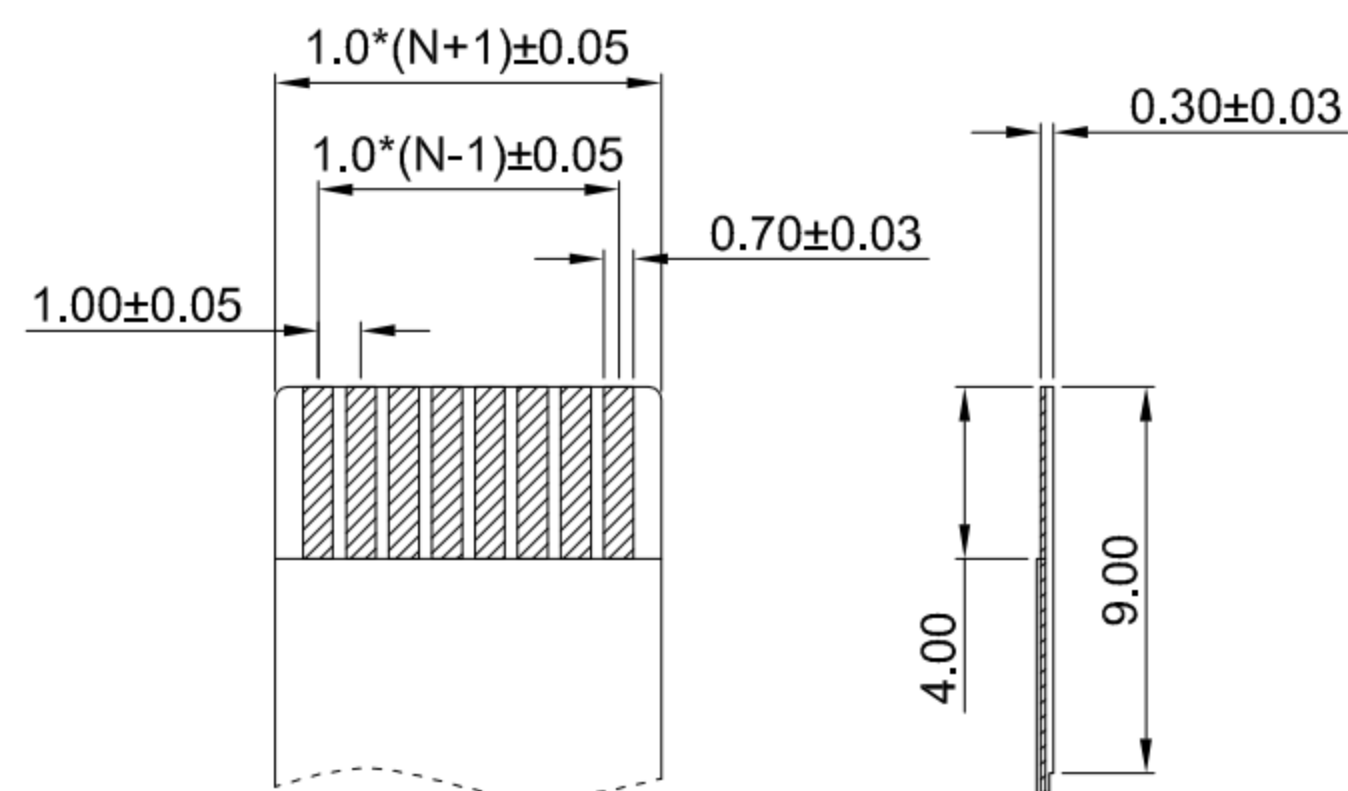
Pin Q' PY  
04~40

Height  
54-5.40mm

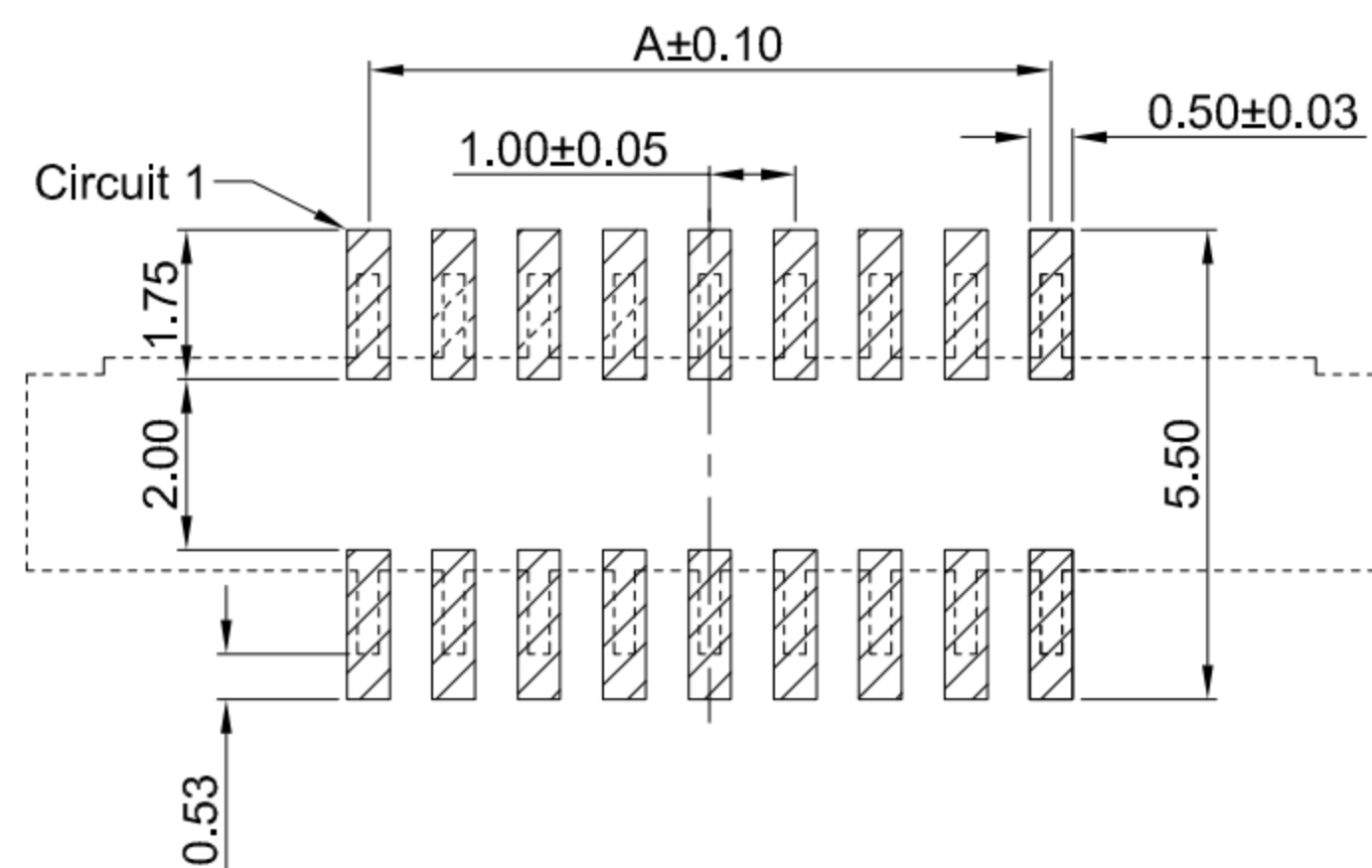


**Ordering Information:**

Circuit	Dimensions(mm)				Circuit	Dimensions(mm)			
	A	B	C	D		A	B	C	D
04	3.00	5.15	9.20	11.00	23	22.00	24.15	28.20	30.00
05	4.00	6.15	10.20	12.00	24	23.00	25.15	29.20	31.00
06	5.00	7.15	11.20	13.00	25	24.00	26.15	30.20	32.00
07	6.00	8.15	12.20	14.00	26	25.00	27.15	31.20	33.00
08	7.00	9.15	13.20	15.00	27	26.00	28.15	32.20	34.00
09	8.00	10.15	14.20	16.00	28	27.00	29.15	33.20	35.00
10	9.00	11.15	15.20	17.00	29	28.00	30.15	34.20	36.00
11	10.00	12.15	16.20	18.00	30	29.00	31.15	35.20	37.00
12	11.00	13.15	17.20	19.00	31	30.00	32.15	36.20	38.00
13	12.00	14.15	18.20	20.00	32	31.00	33.15	37.20	39.00
14	13.00	15.15	19.20	21.00	33	32.00	34.15	38.20	40.00
15	14.00	16.15	20.20	22.00	34	33.00	35.15	39.20	41.00
16	15.00	17.15	21.20	23.00	35	34.00	36.15	40.20	42.00
17	16.00	18.15	22.20	24.00	36	35.00	37.15	41.20	43.00
18	17.00	19.15	23.20	25.00	37	36.00	38.15	42.20	44.00
19	18.00	20.15	24.20	26.00	38	37.00	39.15	43.20	45.00
20	19.00	21.15	25.20	27.00	39	38.00	40.15	44.20	46.00
21	20.00	22.15	26.20	28.00	40	39.00	41.15	45.20	47.00
22	21.00	23.15	27.20	29.00	---	---	---	---	---



APPLICABLE FPC



RECOMMENDED PCB LAYOUT  
TOLERANCE:±0.05

3	CONTACT	PHOSPHOR BRONZE	BRIGHT Tin Or G/F
2	COVER	LCP,94V-0	BLACK
1	HOUSING	LCP,94V-0	NATURE
NO.	PART NAME	MATERIAL	REMARK



SCALE: 1:1 UNIT: mm  
SIZE: A4

Unless otherwise  
General Tolerance:  
X ±0.40  
X.x ±0.30  
X.xx ±0.20  
X\* ±5°  
X.x° ±3°

Title: FPC 1.00mm Pitch 180° H5.40mm SMT  
Type Single Row Connector

Molde Code: GT-F1003SV54-XXXXX01

DRAWN	CHECKED	APPROVED	DATE
Jiang	Hu	Chen	2021.06.28



REV: A0 SHEET: 1/1