

■ Features

- Metallization on ferrite core results in excellent shock resistance and damage-free durability.
- Closed magnetic circuit design reduces leakage flux and Electro Magnetic Interference(EMI).
- Fe base metal material core provides large saturation current.
- Automatic production ensures high quality and consistency.

■ Applications

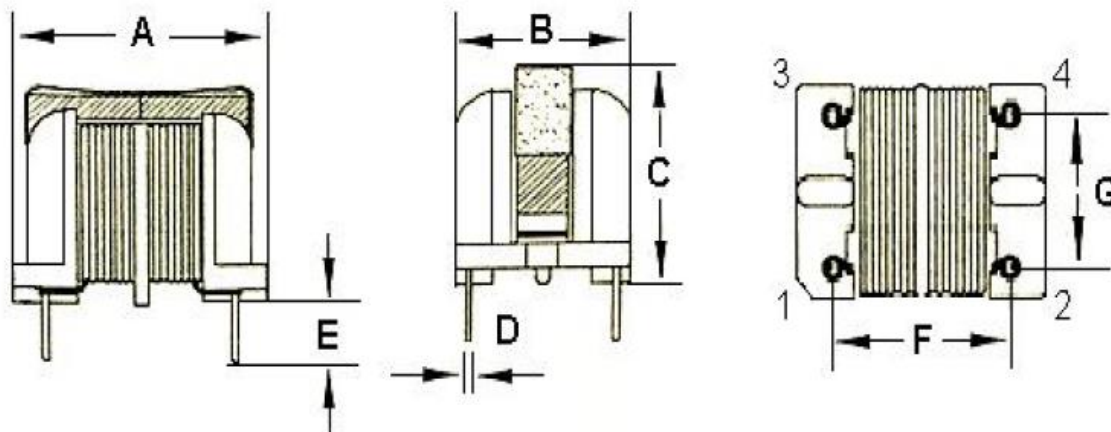
- Protects AC side from the affects of switching regulators.
- Provides noise elimination and immunity for TVs,TVRs/VCRs,audio equipments.

■ Product Identification

YDUU □□□□ - □□□ □ □□□□
 (1) (2) (3) (4) (5)

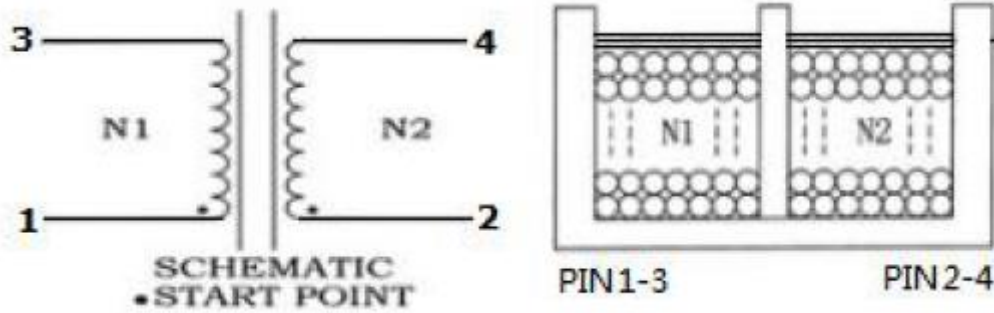
- (1) : Type
- (2) : Dimensions
- (3) : Inductance
- (4) : L=Vertical, W=Horizontal
- (5) : Internal code

■ Shapes and Dimensions (Unit: mm)



| Part Number | A | B | C Max. | D | E | F | G |
|-------------------|------|------|--------|---------|---------|----------|----------|
| YDUU10.5-103L0401 | 19.0 | 17.0 | 22.0 | 0.7±0.1 | 3.5±0.5 | 13.0±0.5 | 10.0±0.5 |

■ Schematic Diagram



■ Electrical Characteristics

| ITEM | PIN NO. | SPEC. | CONDITION | EQUIPMENT |
|-------------------|----------------------------|------------------|--------------|-------------------|
| INDUCTANCE | L(1-3),L(2-4) | N1=N2: 10mH(Min) | LCZ1061/1062 | 1KHz/0.25V/25-30℃ |
| L DIFFERENCE | L(1-3),L(2-4) | 0.3mH(Max) | LCZ1061/1062 | 1KHz/0.25V/25-30℃ |
| WITHSTAND VOLTAGE | L(1-3)-L(2-4) COIL-CORE | AC 1500V/50Hz | TOS5030 | 1mA/60S |

■ Winding Structure

| WINDING | S | F | MAGNET WIRE | TURNS | WINDING TYPE |
|---------|---|---|---------------|----------|---------------|
| N1 | 1 | 3 | 2UEW Φ0.40x1C | 55Ts Ref | CLOSE WINDING |
| N2 | 2 | 4 | 2UEW Φ0.40x1C | 55Ts Ref | CLOSE WINDING |

■ Material List

| No. | Item | Material Spec. | Manufacturer (or of the same quality) |
|-----|---------|-----------------|--|
| 1 | CORE | UU10.5(AL:4.5K) | Shandong Hengrui magnetolectric Technology Co.,Ltd |
| 2 | WIRE | 2UEW/155℃ | Dongguan Yida Industrial Co.,Ltd |
| 3 | BOBBIN | UU10.5 T375J | Changchun Plastics Co.,Ltd |
| 4 | CLAMP | UU10.5 | Wan Jie Co.,Ltd |
| 5 | VARNISH | T1148-1 | YueYang Green Technology Co.,Ltd |

■ Technological Requirements

- 1, After soaking in oil, the product should be completely penetrated and dried. The finished product has neat appearance and good solderability of pins.
- 2, The product is vertical, and the two windings do not need to be wrapped with yellow tape.
- 3, Top printing: UU10.5-10mH

■ Packaging requirements

- 1, The products shall be packed in layers and intervals. If it is less than one box, padding shall be added to prevent impact, collision, etc.
- 2, The cartoon box outside the package shall be marked with the model name, quantity, ex factory date and the name of the manufacturer of the product;
- 3, After the goods arrive at the customer, the seal of the packing box shall be intact, the box shall be free of damage and cracking, and the packing materials in the box shall be free of damage.