



SIRIUS soft starter 200-600 V 77 A, 110-250 V AC spring-type terminals
Thermistor input

product brand name	SIRIUS
product category	Hybrid switching devices
product designation	Soft starter
product type designation	3RW52
manufacturer's article number	
<ul style="list-style-type: none"> • of standard HMI module usable 	3RW5980-0HS00
<ul style="list-style-type: none"> • of high feature HMI module usable 	3RW5980-0HF00
<ul style="list-style-type: none"> • of communication module PROFINET standard usable 	3RW5980-0CS00
<ul style="list-style-type: none"> • of communication module PROFIBUS usable 	3RW5980-0CP00
<ul style="list-style-type: none"> • of communication module Modbus TCP usable 	3RW5980-0CT00
<ul style="list-style-type: none"> • of communication module Modbus RTU usable 	3RW5980-0CR00
<ul style="list-style-type: none"> • of communication module Ethernet/IP 	3RW5980-0CE00
<ul style="list-style-type: none"> • of circuit breaker usable at 400 V 	3VA2110-7MN32-0AA0; Type of coordination 1, I _q = 65 kA, CLASS 10
<ul style="list-style-type: none"> • of circuit breaker usable at 500 V 	3VA2110-7MN32-0AA0; Type of coordination 1, I _q = 20 kA, CLASS 10
<ul style="list-style-type: none"> • of circuit breaker usable at 400 V at inside-delta circuit 	3VA2216-7MN32-0AA0; Type of coordination 1, I _q = 65 kA, CLASS 10
<ul style="list-style-type: none"> • of circuit breaker usable at 500 V at inside-delta circuit 	3VA2216-7MN32-0AA0; Type of coordination 1, I _q = 20 kA, CLASS 10
<ul style="list-style-type: none"> • of the gG fuse usable up to 690 V 	3NA3132-6; Type of coordination 1, I _q = 65 kA
<ul style="list-style-type: none"> • of the gG fuse usable at inside-delta circuit up to 500 V 	3NA3132-6; Type of coordination 1, I _q = 65 kA
<ul style="list-style-type: none"> • of full range R fuse link for semiconductor protection usable up to 690 V 	3NE1224-0; Type of coordination 2, I _q = 65 kA
<ul style="list-style-type: none"> • of back-up R fuse link for semiconductor protection usable up to 690 V 	3NE8024-1; Type of coordination 2, I _q = 65 kA
General technical data	
starting voltage [%]	30 ... 100 %
stopping voltage [%]	50 ... 50 %
start-up ramp time of soft starter	0 ... 20 s
current limiting value [%] adjustable	130 ... 700 %
certificate of suitability	
<ul style="list-style-type: none"> • CE marking 	Yes
<ul style="list-style-type: none"> • UL approval 	Yes
<ul style="list-style-type: none"> • CSA approval 	Yes
product component is supported	
<ul style="list-style-type: none"> • HMI-Standard 	Yes
<ul style="list-style-type: none"> • HMI-High Feature 	Yes
product feature integrated bypass contact system	Yes

number of controlled phases	3
trip class	CLASS 10A (default) / 10E / 20E; acc. to IEC 60947-4-2
buffering time in the event of power failure	
• for main current circuit	100 ms
• for control circuit	100 ms
insulation voltage rated value	600 V
degree of pollution	3, acc. to IEC 60947-4-2
impulse voltage rated value	6 kV
blocking voltage of the thyristor maximum	1 800 V
service factor	1
surge voltage resistance rated value	6 kV
maximum permissible voltage for safe isolation	
• between main and auxiliary circuit	600 V
utilization category acc. to IEC 60947-4-2	AC 53a
shock resistance	15 g / 11 ms, from 12 g / 11 ms with potential contact lifting
vibration resistance	15 mm to 6 Hz; 2g to 500 Hz
reference code acc. to IEC 81346-2	Q
product function	
• ramp-up (soft starting)	Yes
• ramp-down (soft stop)	Yes
• Soft Torque	Yes
• adjustable current limitation	Yes
• pump ramp down	Yes
• intrinsic device protection	Yes
• motor overload protection	Yes; Full motor protection (thermistor motor protection and electronic motor overload protection)
• evaluation of thermistor motor protection	Yes; Type A PTC or Klixon / Thermoclick
• inside-delta circuit	Yes
• auto-RESET	Yes
• manual RESET	Yes
• remote reset	Yes; By turning off the control supply voltage
• communication function	Yes
• operating measured value display	Yes; Only in conjunction with special accessories
• error logbook	Yes; Only in conjunction with special accessories
• via software parameterizable	No
• via software configurable	Yes
• PROFInergy	Yes; in connection with the PROFINET Standard communication module
• firmware update	Yes
• removable terminal for control circuit	Yes
• torque control	No
• analog output	No
Power Electronics	
operational current	
• at 40 °C rated value	77 A
• at 50 °C rated value	68 A
• at 60 °C rated value	62 A
operational current at inside-delta circuit	
• at 40 °C rated value	133 A
• at 50 °C rated value	118 A
• at 60 °C rated value	107 A
operating voltage	
• rated value	200 ... 600 V
• at inside-delta circuit rated value	200 ... 600 V
relative negative tolerance of the operating voltage	-15 %
relative positive tolerance of the operating voltage	10 %
relative negative tolerance of the operating voltage at inside-delta circuit	-15 %
relative positive tolerance of the operating voltage at	10 %

inside-delta circuit	
operating power for 3-phase motors	
• at 230 V at 40 °C rated value	22 kW
• at 230 V at inside-delta circuit at 40 °C rated value	37 kW
• at 400 V at 40 °C rated value	37 kW
• at 400 V at inside-delta circuit at 40 °C rated value	75 kW
• at 500 V at 40 °C rated value	45 kW
• at 500 V at inside-delta circuit at 40 °C rated value	90 kW
Operating frequency 1 rated value	50 Hz
Operating frequency 2 rated value	60 Hz
relative negative tolerance of the operating frequency	-10 %
relative positive tolerance of the operating frequency	10 %
adjustable motor current	
• at rotary coding switch on switch position 1	32 A
• at rotary coding switch on switch position 2	35 A
• at rotary coding switch on switch position 3	38 A
• at rotary coding switch on switch position 4	41 A
• at rotary coding switch on switch position 5	44 A
• at rotary coding switch on switch position 6	47 A
• at rotary coding switch on switch position 7	50 A
• at rotary coding switch on switch position 8	53 A
• at rotary coding switch on switch position 9	56 A
• at rotary coding switch on switch position 10	59 A
• at rotary coding switch on switch position 11	62 A
• at rotary coding switch on switch position 12	65 A
• at rotary coding switch on switch position 13	68 A
• at rotary coding switch on switch position 14	71 A
• at rotary coding switch on switch position 15	74 A
• at rotary coding switch on switch position 16	77 A
• minimum	32 A
adjustable motor current	
• for inside-delta circuit at rotary coding switch on switch position 1	55.4 A
• for inside-delta circuit at rotary coding switch on switch position 2	60.6 A
• for inside-delta circuit at rotary coding switch on switch position 3	65.8 A
• for inside-delta circuit at rotary coding switch on switch position 4	71 A
• for inside-delta circuit at rotary coding switch on switch position 5	76.2 A
• for inside-delta circuit at rotary coding switch on switch position 6	81.4 A
• for inside-delta circuit at rotary coding switch on switch position 7	86.6 A
• for inside-delta circuit at rotary coding switch on switch position 8	91.8 A
• for inside-delta circuit at rotary coding switch on switch position 9	97 A
• for inside-delta circuit at rotary coding switch on switch position 10	102 A
• for inside-delta circuit at rotary coding switch on switch position 11	107 A
• for inside-delta circuit at rotary coding switch on switch position 12	113 A
• for inside-delta circuit at rotary coding switch on switch position 13	118 A
• for inside-delta circuit at rotary coding switch on switch position 14	123 A
• for inside-delta circuit at rotary coding switch on switch position 15	128 A
• for inside-delta circuit at rotary coding switch on	133 A

switch position 16	
<ul style="list-style-type: none"> at inside-delta circuit minimum 	55.4 A
minimum load [%]	15 %; Relative to smallest settable I _e
power loss [W] for rated value of the current at AC	
<ul style="list-style-type: none"> at 40 °C after startup 	35 W
<ul style="list-style-type: none"> at 50 °C after startup 	32 W
<ul style="list-style-type: none"> at 60 °C after startup 	31 W
power loss [W] at AC at current limitation 350 %	
<ul style="list-style-type: none"> at 40 °C during startup 	1 107 W
<ul style="list-style-type: none"> at 50 °C during startup 	933 W
<ul style="list-style-type: none"> at 60 °C during startup 	826 W
Control circuit/ Control	
type of voltage of the control supply voltage	AC
<ul style="list-style-type: none"> control supply voltage at AC at 50 Hz 	110 ... 250 V
<ul style="list-style-type: none"> control supply voltage at AC at 60 Hz 	110 ... 250 V
relative negative tolerance of the control supply voltage at AC at 50 Hz	-15 %
relative positive tolerance of the control supply voltage at AC at 50 Hz	10 %
relative negative tolerance of the control supply voltage at AC at 60 Hz	-15 %
relative positive tolerance of the control supply voltage at AC at 60 Hz	10 %
control supply voltage frequency	50 ... 60 Hz
relative negative tolerance of the control supply voltage frequency	-10 %
relative positive tolerance of the control supply voltage frequency	10 %
control supply current in standby mode rated value	30 mA
holding current in bypass operation rated value	75 mA
locked-rotor current at close of bypass contact maximum	2.5 A
inrush current peak at application of control supply voltage maximum	12.2 A
duration of inrush current peak at application of control supply voltage	2.2 ms
design of the overvoltage protection	Varistor
design of short-circuit protection for control circuit	4 A gG fuse (I _{cu} =1 kA), 6 A quick-acting fuse (I _{cu} =1 kA), C1 miniature circuit breaker (I _{cu} = 600 A), C6 miniature circuit breaker (I _{cu} = 300 A); Is not part of scope of supply
Inputs/ Outputs	
number of digital inputs	1
number of inputs for thermistor connection	1; Type A PTC or Klixon / Thermoclick
number of digital outputs	3
<ul style="list-style-type: none"> not parameterizable 	2
digital output version	2 normally-open contacts (NO) / 1 changeover contact (CO)
number of analog outputs	0
switching capacity current of the relay outputs	
<ul style="list-style-type: none"> at AC-15 at 250 V rated value 	3 A
<ul style="list-style-type: none"> at DC-13 at 24 V rated value 	1 A
Installation/ mounting/ dimensions	
mounting position	with vertical mounting surface +/-90° rotatable, with vertical mounting surface +/- 22.5° tiltable to the front and back
fastening method	screw fixing
height	306 mm
width	185 mm
depth	203 mm
required spacing with side-by-side mounting	
<ul style="list-style-type: none"> forwards 	10 mm
<ul style="list-style-type: none"> backwards 	0 mm
<ul style="list-style-type: none"> upwards 	100 mm

<ul style="list-style-type: none"> • downwards 	75 mm
<ul style="list-style-type: none"> • at the side 	5 mm
weight without packaging	5.6 kg
Connections/ Terminals	
type of electrical connection	
<ul style="list-style-type: none"> • for main current circuit • for control circuit 	box terminal spring-loaded terminals
width of connection bar maximum	25 mm
wire length for thermistor connection	
<ul style="list-style-type: none"> • with conductor cross-section = 0.5 mm² maximum • with conductor cross-section = 1.5 mm² maximum • with conductor cross-section = 2.5 mm² maximum 	50 m 150 m 250 m
type of connectable conductor cross-sections	
<ul style="list-style-type: none"> • for main contacts for box terminal using the front clamping point solid 	1x (2.5 ... 16 mm ²)
<ul style="list-style-type: none"> • for main contacts for box terminal using the front clamping point finely stranded with core end processing 	1x (2.5 ... 50 mm ²)
<ul style="list-style-type: none"> • for main contacts for box terminal using the front clamping point stranded 	1x (10 ... 70 mm ²)
<ul style="list-style-type: none"> • at AWG cables for main contacts for box terminal using the front clamping point 	1x (10 ... 2/0)
<ul style="list-style-type: none"> • for main contacts for box terminal using the back clamping point solid 	1x (2.5 ... 16 mm ²)
<ul style="list-style-type: none"> • at AWG cables for main contacts for box terminal using the back clamping point 	1x (10 ... 2/0)
<ul style="list-style-type: none"> • for main contacts for box terminal using both clamping points solid 	2x (2.5 ... 16 mm ²)
<ul style="list-style-type: none"> • for main contacts for box terminal using both clamping points finely stranded with core end processing 	2x (2.5 ... 35 mm ²)
<ul style="list-style-type: none"> • for main contacts for box terminal using both clamping points stranded 	2x (6 ... 16 mm ²), 2x (10 ... 50 mm ²)
<ul style="list-style-type: none"> • for main contacts for box terminal using the back clamping point finely stranded with core end processing 	1x (2.5 ... 50 mm ²)
<ul style="list-style-type: none"> • for main contacts for box terminal using the back clamping point stranded 	1x (10 ... 70 mm ²)
type of connectable conductor cross-sections	
<ul style="list-style-type: none"> • for control circuit solid 	2x (0.25 ... 1.5 mm ²)
<ul style="list-style-type: none"> • for control circuit finely stranded with core end processing 	2x (0.25 ... 1.5 mm ²)
<ul style="list-style-type: none"> • at AWG cables for control circuit solid 	2x (24 ... 16)
<ul style="list-style-type: none"> • at AWG cables for control circuit finely stranded with core end processing 	2x (24 ... 16)
wire length	
<ul style="list-style-type: none"> • between soft starter and motor maximum 	800 m
<ul style="list-style-type: none"> • at the digital inputs at AC maximum 	100 m
tightening torque	
<ul style="list-style-type: none"> • for main contacts with screw-type terminals 	4.5 ... 6 N·m
<ul style="list-style-type: none"> • for auxiliary and control contacts with screw-type terminals 	0.8 ... 1.2 N·m
tightening torque [lbf·in]	
<ul style="list-style-type: none"> • for main contacts with screw-type terminals 	40 ... 53 lbf·in
<ul style="list-style-type: none"> • for auxiliary and control contacts with screw-type terminals 	7 ... 10.3 lbf·in
Ambient conditions	
installation altitude at height above sea level maximum	5 000 m; Derating as of 1000 m, see catalog
<ul style="list-style-type: none"> • ambient temperature during operation 	-25 ... +60 °C; Please observe derating at temperatures of 40 °C or above
<ul style="list-style-type: none"> • ambient temperature during storage and transport 	-40 ... +80 °C
environmental category	

<ul style="list-style-type: none"> during operation acc. to IEC 60721 during storage acc. to IEC 60721 during transport acc. to IEC 60721 	<p>3K6 (no ice formation, only occasional condensation), 3C3 (no salt mist), 3S2 (sand must not get into the devices), 3M6</p> <p>1K6 (only occasional condensation), 1C2 (no salt mist), 1S2 (sand must not get inside the devices), 1M4</p> <p>2K2, 2C1, 2S1, 2M2 (max. fall height 0.3 m)</p>
EMC emitted interference	acc. to IEC 60947-4-2: Class A
Communication/ Protocol	
communication module is supported	
<ul style="list-style-type: none"> PROFINET standard EtherNet/IP Modbus RTU Modbus TCP PROFIBUS 	<p>Yes</p> <p>Yes</p> <p>Yes</p> <p>Yes</p> <p>Yes</p>
UL/CSA ratings	
manufacturer's article number	
<ul style="list-style-type: none"> of circuit breaker <ul style="list-style-type: none"> — usable for Standard Faults at 460/480 V according to UL — usable for High Faults at 460/480 V according to UL — usable for Standard Faults at 460/480 V at inside-delta circuit according to UL — usable for High Faults at 460/480 V at inside-delta circuit according to UL — usable for Standard Faults at 575/600 V according to UL — usable for Standard Faults at 575/600 V at inside-delta circuit according to UL of the fuse <ul style="list-style-type: none"> — usable for Standard Faults up to 575/600 V according to UL — usable for High Faults up to 575/600 V according to UL — usable for Standard Faults at inside-delta circuit up to 575/600 V according to UL — usable for High Faults at inside-delta circuit up to 575/600 V according to UL 	<p>Siemens type: 3VA51, max. 125 A; I_q = 10 kA</p> <p>Siemens type: 3VA51, max. 125 A; I_q max = 65 kA</p> <p>Siemens type: 3VA51, max. 125 A; I_q = 10 kA</p> <p>Siemens type: 3VA51, max. 125 A; I_q max = 65 kA</p> <p>Siemens type: 3VA51, max. 125 A; I_q = 10 kA</p> <p>Siemens type: 3VA51, max. 125 A; I_q = 10 kA</p>
operating power [hp] for 3-phase motors	
<ul style="list-style-type: none"> at 200/208 V at 50 °C rated value at 220/230 V at 50 °C rated value at 460/480 V at 50 °C rated value at 575/600 V at 50 °C rated value at 200/208 V at inside-delta circuit at 50 °C rated value at 220/230 V at inside-delta circuit at 50 °C rated value at 460/480 V at inside-delta circuit at 50 °C rated value at 575/600 V at inside-delta circuit at 50 °C rated value 	<p>20 hp</p> <p>25 hp</p> <p>50 hp</p> <p>60 hp</p> <p>30 hp</p> <p>40 hp</p> <p>75 hp</p> <p>100 hp</p>
contact rating of auxiliary contacts according to UL	R300-B300
Safety related data	
protection class IP on the front acc. to IEC 60529	IP00; IP20 with cover
touch protection on the front acc. to IEC 60529	finger-safe, for vertical contact from the front with cover
electromagnetic compatibility	in accordance with IEC 60947-4-2
Certificates/ approvals	
General Product Approval	EMC



Declaration of Conformity

Test Certificates

Marine / Shipping



EG-Konf.

[Miscellaneous](#)

[Type Test
Certificates/Test
Report](#)



ABS



LRS



PRS

Marine / Shipping

other



[Confirmation](#)

[Confirmation](#)

Further information

Information- and Downloadcenter (Catalogs, Brochures,...)

<https://www.siemens.com/ic10>

Industry Mall (Online ordering system)

<https://mall.industry.siemens.com/mall/en/en/Catalog/product?mlfb=3RW5226-3TC15>

Cax online generator

<http://support.automation.siemens.com/WW/CAXorder/default.aspx?lang=en&mlfb=3RW5226-3TC15>

Service&Support (Manuals, Certificates, Characteristics, FAQs,...)

<https://support.industry.siemens.com/cs/ww/en/ps/3RW5226-3TC15>

Image database (product images, 2D dimension drawings, 3D models, device circuit diagrams, EPLAN macros, ...)

http://www.automation.siemens.com/bilddb/cax_de.aspx?mlfb=3RW5226-3TC15&lang=en

Characteristic: Tripping characteristics, I^t, Let-through current

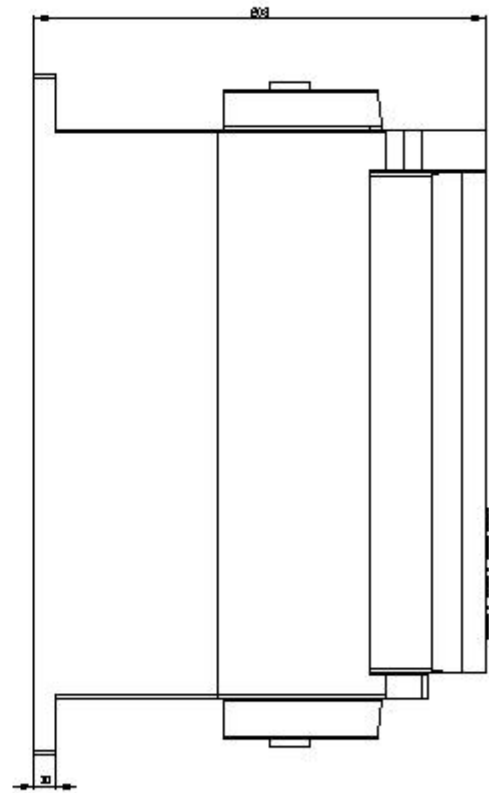
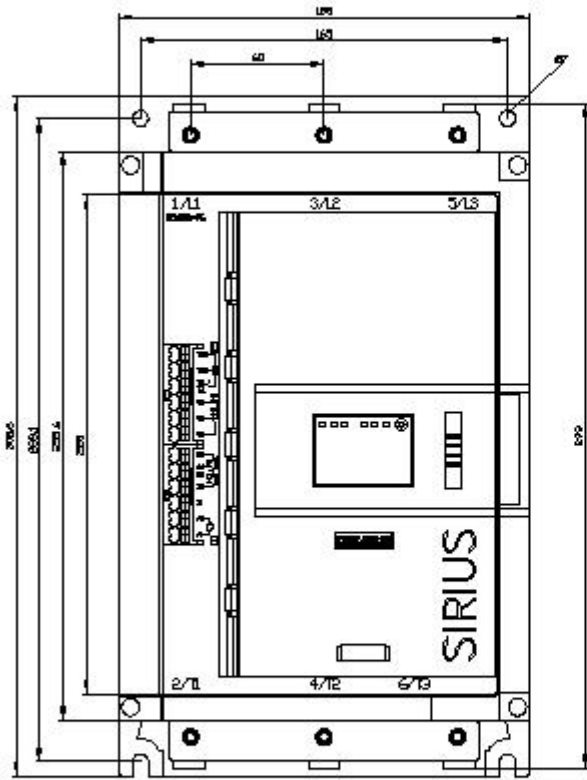
<https://support.industry.siemens.com/cs/ww/en/ps/3RW5226-3TC15/char>

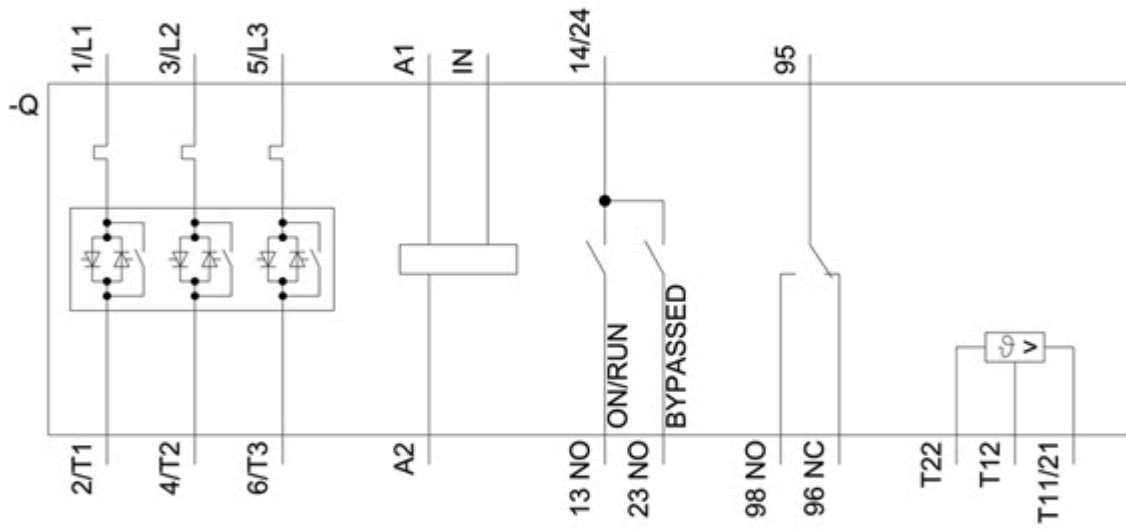
Characteristic: Installation altitude

<http://www.automation.siemens.com/bilddb/index.aspx?view=Search&mlfb=3RW5226-3TC15&objecttype=14&gridview=view1>

Simulation Tool for Soft Starters (STS)

<https://support.industry.siemens.com/cs/ww/en/view/101494917>





last modified:

12/15/2020 