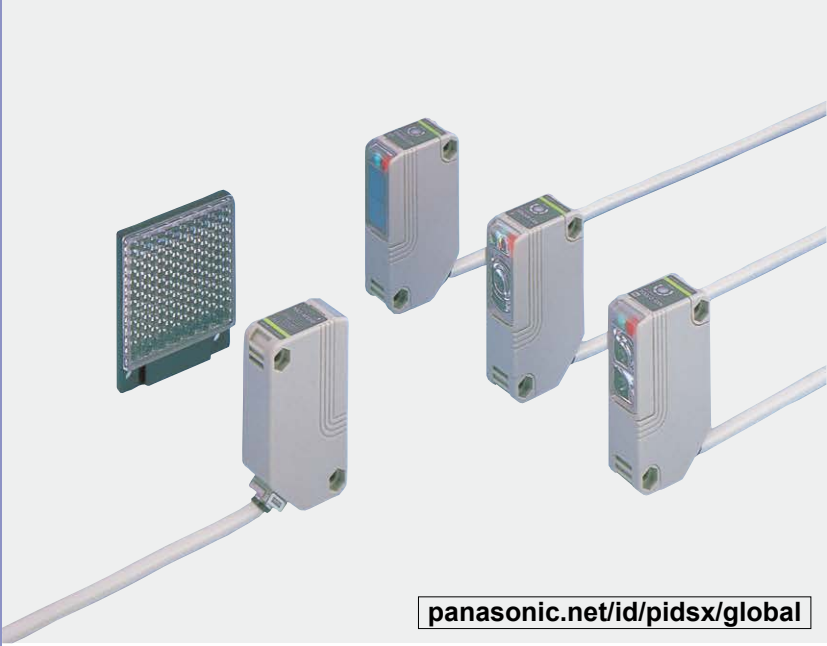


# NX5 SERIES

Related Information	■ General terms and conditions..... F-3	■ Selection guide ..... P.231~
	■ Glossary of terms / General precautions.....P.1549~ / P.1552~	■ China's CCC mark ..... P.1601

- FIBER SENSORS
- LASER SENSORS
- PHOTOELECTRIC SENSORS
- MICRO PHOTOELECTRIC SENSORS
- AREA SENSORS
- SAFETY LIGHT CURTAINS / SAFETY COMPONENTS
- PRESSURE / FLOW SENSORS
- INDUCTIVE PROXIMITY SENSORS
- PARTICULAR USE SENSORS
- SENSOR OPTIONS
- SIMPLE WIRE-SAVING UNITS
- WIRE-SAVING SYSTEMS
- MEASUREMENT SENSORS
- STATIC CONTROL DEVICES
- LASER MARKERS
- PLC
- HUMAN MACHINE INTERFACES
- ENERGY MANAGEMENT SOLUTIONS
- FA COMPONENTS
- MACHINE VISION SYSTEMS
- UV CURING SYSTEMS



[panasonic.net/id/pidsx/global](http://panasonic.net/id/pidsx/global)



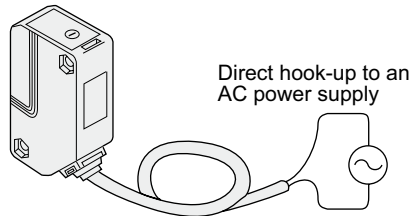
\*5 m 16.4041 ft cable length type: Certified (for sales in China only)



## Multi-voltage photoelectric sensor usable worldwide

### Multi-voltage

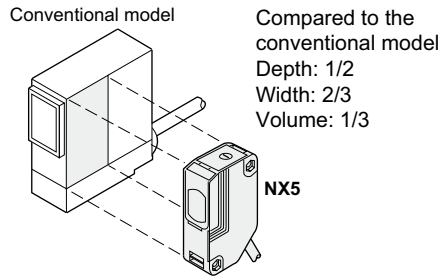
The **NX5** series can operate at 24 to 240 V AC or 12 to 240 V DC, which is suitable for supply voltages around the world.



No need to arrange a DC power supply.

### Compact size

Despite of being multi-voltage, it has a depth of just 35 mm 1.378 in. (W18 × H62 × D35 mm W0.709 × H2.441 × D1.378 in)

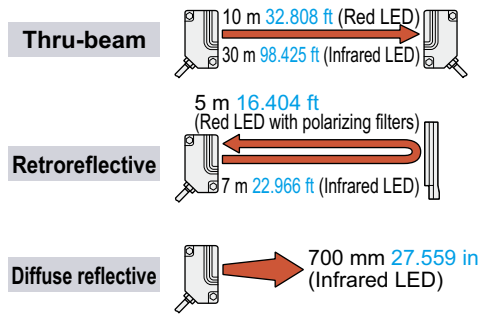


Compared to the conventional model  
 Depth: 1/2  
 Width: 2/3  
 Volume: 1/3

## BASIC PERFORMANCE

### Long sensing range

It is most suitable for conveyor lines and parking lot applications.



### High reliability

It has an IP66 protection. Moderate dust or water splashes will not affect the sensor. The hermetically sealed output relay significantly increases its reliability.



## FUNCTIONS / MOUNTING

### Easy alignment

The 10 m 32.808 ft thru-beam type sensor and the 5 m 16.404 ft retroreflective type sensor incorporate a red LED beam source. Beam alignment can be attained by checking the emitted beam visually.

### Interference prevention

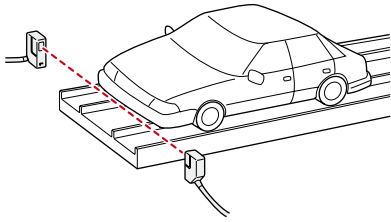
Two sensors can operate normally even if mounted close together. (Excluding the 30 m 98.425 ft thru-beam type sensor)

- Selection Guide
- Amplifier Built-in
- Power Supply Built-in
- Amplifier-separated

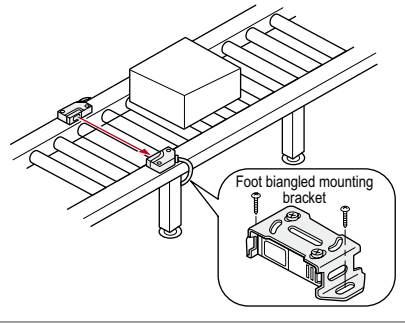
NX5

**APPLICATIONS**

**Detecting car position at parking garage**



**Detecting objects on conveyor line**

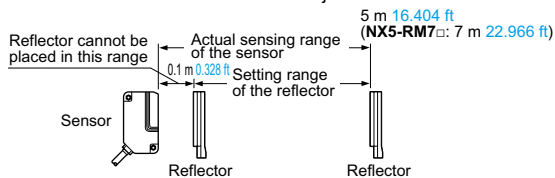


**ORDER GUIDE**

Type		Appearance	Sensing range	Model No. (Note 2, 3)	Emitting element	Output
Thru-beam	Light-ON		10 m 32.808 ft	NX5-M10RA	Red LED	Relay contact 1c
				NX5-M10RB		
	Dark-ON		30 m 98.425 ft	NX5-M30A	Infrared LED	
				NX5-M30B		
Retroreflective	With polarizing filters		0.1 to 5 m 0.328 to 16.404 ft (Note 1)	NX5-PRVM5A	Red LED	
				NX5-PRVM5B		
	Long sensing range		0.1 to 7 m 0.328 to 22.966 ft (Note 1)	NX5-RM7A	Infrared LED	
				NX5-RM7B		
Diffuse reflective	Light-ON		700 mm 27.559 in	NX5-D700A	Infrared LED	
	Dark-ON			NX5-D700B		

**NOTE:** Mounting bracket is not supplied with the sensor. Please select from the range of optional sensor mounting brackets (three types).

Notes: 1) The sensing range of the retroreflective type sensor is specified for the **RF-230** reflector. Further, the sensing range is the possible setting range for the reflector. The sensor can detect an object less than 0.1 m 0.328 ft away.



**5 m 16.404 ft cable length type**

5 m 16.404 ft cable length type (standard: 2 m 6.562 ft) is also available. When ordering this type, suffix **"-C5"** to the model No. (e.g.) 5 m 16.404 ft cable length type of **NX5-M10RA** is **"NX5-M10RA-C5"**.

- The model No. with **"P"** shown on the label affixed to the thru-beam type sensor is the emitter, **"D"** shown on the label is the receiver.
- Light-ON type sensor (model No. with suffix **"A"**) and Dark-ON type sensor (model No. with suffix **"B"**) are available in the **NX5** series. For the following models, in case of power off, the output relay condition is the same as when an object is detected. (In case of power supply line disconnection, the output operation is the same as when an object is detected.) Refer to **"I/O CIRCUIT DIAGRAM AND OUTPUT OPERATION (p.371)"** for the output operation of each model.

**Accessory**

- RF-230** (Reflector)



Thru-beam type	Retroreflective type	Diffuse reflective type
<b>NX5-M10RA</b> and <b>NX5-M30A</b> (Light-ON)	<b>NX5-PRVM5A</b> and <b>NX5-RM7A</b> (Light-ON)	<b>NX5-D700B</b> (Dark-ON)

FIBER SENSORS

LASER SENSORS

PHOTO-ELECTRIC SENSORS

MICRO PHOTO-ELECTRIC SENSORS

AREA SENSORS

SAFETY LIGHT CURTAINS / SAFETY COMPONENTS

PRESSURE / FLOW SENSORS

INDUCTIVE PROXIMITY SENSORS

PARTICULAR USE SENSORS

SENSOR OPTIONS

SIMPLE WIRE-SAVING UNITS

WIRE-SAVING SYSTEMS

MEASUREMENT SENSORS

STATIC CONTROL DEVICES

LASER MARKERS

PLC

HUMAN MACHINE INTERFACES

ENERGY MANAGEMENT SOLUTIONS

FA COMPONENTS

MACHINE VISION SYSTEMS

UV CURING SYSTEMS

Selection Guide

Amplifier Built-in

Power Supply Built-in

Amplifier-separated

**NX5**

**OPTIONS**

FIBER SENSORS

LASER SENSORS

PHOTO-ELECTRIC SENSORS

MICRO PHOTO-ELECTRIC SENSORS

AREA SENSORS

SAFETY LIGHT CURTAINS / SAFETY COMPONENTS

PRESSURE / FLOW SENSORS

INDUCTIVE PROXIMITY SENSORS

PARTICULAR USE SENSORS

SENSOR OPTIONS

SIMPLE WIRE-SAVING UNITS

WIRE-SAVING SYSTEMS

MEASUREMENT SENSORS

STATIC CONTROL DEVICES

LASER MARKERS

PLC

HUMAN MACHINE INTERFACES

ENERGY MANAGEMENT SOLUTIONS

FA COMPONENTS

MACHINE VISION SYSTEMS

UV CURING SYSTEMS

Selection Guide

Amplifier Built-in

Power Supply Built-in

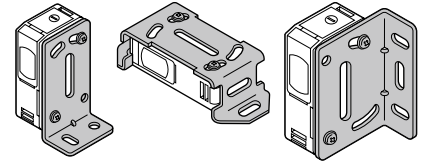
Amplifier-separated

Designation	Model No.	Description
Sensor mounting bracket	<b>MS-NX5-1</b>	Foot angled mounting bracket (The thru-beam type sensor needs two brackets.)
	<b>MS-NX5-2</b>	Foot biangled mounting bracket (sensor protection bracket) (The thru-beam type sensor needs two brackets.)
	<b>MS-NX5-3</b>	Back angled mounting bracket (The thru-beam type sensor needs two brackets.)
Slit mask (For thru-beam type sensor only)	<b>OS-NX5-3×6</b> (Slit size 3 × 6 mm 0.118 × 0.236 in)	Slit on one side <ul style="list-style-type: none"> <li>Sensing range: 3 m 9.843 ft [NX5-M10R□] 16 m 52.493 ft [NX5-M30□]</li> <li>Min. sensing object: ø10 mm ø0.394 in [NX5-M10R□] ø20 mm ø0.787 in [NX5-M30□]</li> </ul>
		Slit on both sides <ul style="list-style-type: none"> <li>Sensing range: 1 m 3.281 ft [NX5-M10R□] 6 m 19.685 ft [NX5-M30□]</li> <li>Min. sensing object: 3 × 6 mm 0.118 × 0.236 in</li> </ul>
Interference prevention filter (For NX5-M10RA or NX5-M10RB only)	<b>PF-NX5-V</b> (Vertical, Silver)	Same type of filters on both sides <ul style="list-style-type: none"> <li>Sensing range: 5 m 16.404 ft</li> <li>Min. sensing object: ø20 mm ø0.787 in</li> </ul>
	<b>PF-NX5-H</b> (Horizontal, Light brown)	(One set consists of 2 pcs. of interference prevention filters.)
Reflector (For retro-reflective type sensor only)	<b>RF-210</b>	<ul style="list-style-type: none"> <li>Sensing range: 0.1 to 1.5 m 0.328 to 4.921 ft [NX5-PRVM5□] 0.1 to 2.5 m 0.328 to 8.202 ft [NX5-RM7□]</li> <li>Min. sensing object: ø30 mm ø1.181 in</li> </ul>
	<b>RF-220</b>	<ul style="list-style-type: none"> <li>Sensing range: 0.1 to 3.5 m 0.328 to 11.483 ft [NX5-PRVM5□] 0.1 to 5 m 0.328 to 16.404 ft [NX5-RM7□]</li> <li>Min. sensing object: ø35 mm ø1.378 in</li> </ul>
Reflector mounting bracket	<b>MS-RF21-1</b>	Protective mounting bracket for <b>RF-210</b> It protects the reflector from damage and maintains alignment.
	<b>MS-RF22</b>	For <b>RF-220</b>
	<b>MS-RF23</b>	For <b>RF-230</b>
Reflective tape (For retro-reflective type sensor only)	<b>RF-11</b>	<ul style="list-style-type: none"> <li>Ambient temperature: -25 to +50 °C -13 to +122 °F</li> <li>Ambient humidity: 35 to 85 % RH</li> </ul>
	<b>RF-12</b>	<ul style="list-style-type: none"> <li>Sensing range: 0.1 to 0.8 m 0.328 to 2.625 ft [NX5-PRVM5□] 0.1 to 1 m 0.328 to 3.281 ft [NX5-RM7□]</li> <li>Sensing range: 0.1 to 1 m 0.328 to 3.281 ft [NX5-PRVM5□] 0.1 to 1.5 m 0.328 to 4.921 ft [NX5-RM7□]</li> </ul> <p><b>Notes</b></p> <ul style="list-style-type: none"> <li>Keep the tape free from stress. If it is pressed too much, its capability may deteriorate.</li> <li>Do not cut the tape. It will deteriorate the sensing performance.</li> </ul>
Sensor checker (Note)	<b>CHX-SC2</b>	It is useful for beam alignment of thru-beam type sensors. The optimum receiver position is given by indicators, as well as an audio signal.

Note: Refer to p.959~ for the sensor checker **CHX-SC2**.

**Sensor mounting bracket**

- **MS-NX5-1**
- **MS-NX5-2**
- **MS-NX5-3**



Two M4 (length 25 mm 0.984 in) screws with washers and two M4 nuts are attached.

Two M4 (length 25 mm 0.984 in) screws with washers and two M4 nuts are attached.

Two M4 (length 25 mm 0.984 in) screws with washers and two M4 nuts are attached.

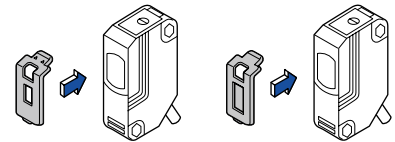
**Slit mask**

- **OS-NX5-3×6**

Fitted on the front face of the sensor with one touch.

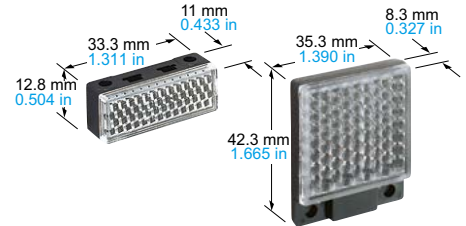
**Interference prevention filter**  
(For NX5-M10R□ only)

- **PF-NX5-V**(Vertical, Silver color)
  - **PF-NX5-H**(Horizontal, Light brown)
- Two sets of thru-beam type sensors (Red LED type) can be mounted close together.



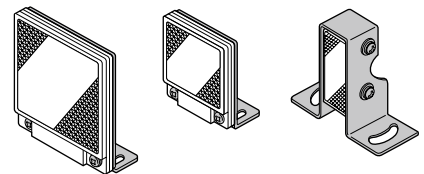
**Reflector**

- **RF-210**
- **RF-220**



**Reflector mounting bracket**

- **MS-RF23**
- **MS-RF22**
- **MS-RF21-1**



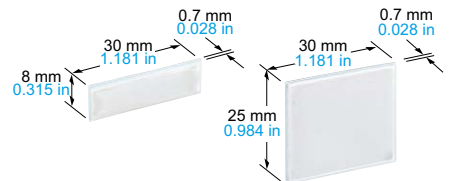
Two M4 (length 10 mm 0.394 in) screws with washers are attached.

Two M3 (length 8 mm 0.315 in) screws with washers are attached.

Two M3 (length 12 mm 0.472 in) screws with washers are attached.

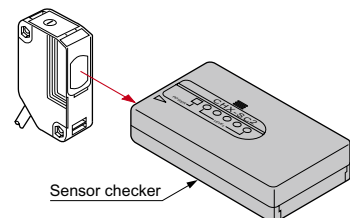
**Reflective tape**

- **RF-11**
- **RF-12**



**Sensor checker**

- **CHX-SC2**

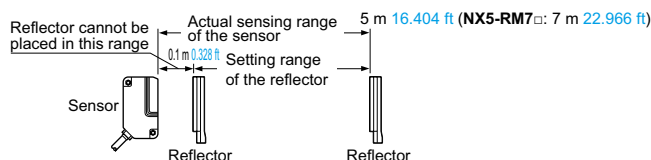


## SPECIFICATIONS

Item	Type	Thru-beam				Retroreflective				Diffuse reflective		
		Long sensing range		With polarizing filters		Long sensing range						
Model No.		NX5-M10RA	NX5-M10RB	NX5-M30A	NX5-M30B	NX5-PRVM5A	NX5-PRVM5B	NX5-RM7A	NX5-RM7B	NX5-D700A	NX5-D700B	
CE marking directive compliance	Low Voltage Directive, EMC Directive, RoHS Directive											
Sensing range		10 m <b>32.808 ft</b>		30 m <b>98.425 ft</b>		0.1 to 5 m <b>0.328 to 16.404 ft</b> (Note 2)		0.1 to 7 m <b>0.328 to 22.966 ft</b> (Note 2)		700 mm <b>27.559 in</b> (Note 3)		
Sensing object		ø20 mm <b>ø0.787 in</b> or more opaque object (Note 4)		ø20 mm <b>ø0.787 in</b> or more opaque object (Completely beam interrupted object) (Note 4)		ø50 mm <b>ø1.969 in</b> or more opaque, translucent or specular object (Note 2, 5)		ø50 mm <b>ø1.969 in</b> or more opaque or translucent object (Note 2, 5)		Opaque, translucent or transparent object (Note 5)		
Hysteresis		15 % or less of operation distance (Note 3)										
Repeatability (perpendicular to sensing axis)		0.1 mm <b>0.004 in</b> or less		0.2 mm <b>0.008 in</b> or less						0.3 mm <b>0.012 in</b> or less		
Supply voltage		24-240 V AC $^{+10}_{-15}$ % or 12 to 240 V DC $^{+10}_{-15}$ % Ripple P-P 10 % or less										
Power consumption		Emitter: 1 VA or less Receiver: 2 VA or less		Emitter: 1.5 VA or less Receiver: 2 VA or less		2 VA or less						
Output		Relay contact 1 c <ul style="list-style-type: none"> <li>Switching capacity: 250 V AC 1 A (resistive load) 30 V DC 2 A (resistive load)</li> <li>Electrical life: 500,000 or more switching operations (switching frequency 3,600 operations/hour) 100,000 or more switching operations (switching frequency 3,600 operations/hour)</li> <li>Mechanical life: 100 million or more switching operations (switching frequency 36,000 operations/hour)</li> </ul>										
Output operation		Light-ON	Dark-ON	Light-ON	Dark-ON	Light-ON	Dark-ON	Light-ON	Dark-ON	Light-ON	Dark-ON	
Response time		10 ms or less										
Operation indicator		Red LED (lights up when the output is ON)										
Stability indicator		Green LED (lights up under stable light received condition or stable dark condition)										
Power indicator		_____		Red LED (lights up when the power is ON)		_____						
Sensitivity adjuster		Continuously variable adjuster		_____		Continuously variable adjuster		_____		Continuously variable adjuster		
Automatic interference prevention function		(Use optional interference prevention filters)		_____		Incorporated (Two units of sensors can be mounted close together.)						
Environmental resistance	Pollution degree	3 (Industrial environment)										
	Protection	IP66 (IEC)										
	Ambient temperature	-20 to +55 °C -4 to +131 °F (No dew condensation or icing allowed) (Note 6), Storage: -30 to +70 °C -22 to +158 °F										
	Ambient humidity	35 to 85 % RH, Storage: 35 to 85 % RH										
	Ambient illuminance	Incandescent light: 3,500 lx or less at the light-receiving face										
	Voltage withstandability	1,500 V AC for one min. between power supply and output terminals, 1,000 V AC for one min. between relay contact terminals										
	Insulation resistance	20 MΩ, or more, with 500 V DC megger between power supply and output terminals, and between relay contact terminals										
	Vibration resistance	10 to 55 Hz frequency, 1.5 mm <b>0.059 in</b> double amplitude in X, Y and Z directions for two hours each										
Shock resistance	500 m/s <sup>2</sup> (50 G approx.) in X, Y and Z directions three times each											
Emitting element		Red LED (modulated)		Infrared LED (modulated)		Red LED (modulated)		Infrared LED (modulated)				
Peak emission wavelength		660 nm <b>0.026 mil</b>		880 nm <b>0.035 mil</b>		660 nm <b>0.026 mil</b>		880 nm <b>0.035 mil</b>				
Material		Enclosure: Polycarbonate, Lens: Polycarbonate, Cover: Polycarbonate, Front cover (retroreflective type sensor only): Acrylic										
Cable		0.3 mm <sup>2</sup> 5-core (thru-beam type emitter: 2-core) cabtyre cable, 2 m <b>6.562 ft</b> long										
Cable extension		Extension up to total 100 m <b>328.084 ft</b> is possible with 0.3 mm <sup>2</sup> , or more, cable (thru-beam type: both emitter and receiver).										
Net weight		Emitter: 100 g approx. Receiver: 140 g approx.		Emitter: 125 g approx. Receiver: 140 g approx.		140 g approx.						
Accessories		Adjusting screwdriver: 1 pc.		_____		RF-230 (Reflector): 1 pc. Adjusting screwdriver: 1 pc.		RF-230 (Reflector): 1 pc.		Adjusting screwdriver: 1 pc.		

Notes: 1) Where measurement conditions have not been specified precisely, the conditions used were an ambient temperature of +23 °C +73.4 °F.

- 2) The sensing range and the sensing object of the retroreflective type sensor is specified for the **RF-230** reflector. Further, the sensing range is the possible setting range for the reflector.  
The sensor can detect an object less than 0.1 m **0.328 ft** away.



- 3) The sensing range and the hysteresis of the diffuse reflective type sensor are specified for white non-glossy paper (200 × 200 mm **7.874 × 7.874 in**) as the object.  
4) If slit masks (optional) are fitted, an object as small as 3 × 6 mm **0.118 × 0.236 in** can be detected.  
5) Make sure to confirm detection with an actual sensor before use.  
6) In case the sensor is to be used at an ambient temperature of -15 °C +5 °F, or less, please contact our office.

FIBER SENSORS

LASER SENSORS

PHOTO-ELECTRIC SENSORS

MICRO PHOTO-ELECTRIC SENSORS

AREA SENSORS

SAFETY LIGHT CURTAINS / SAFETY COMPONENTS

PRESSURE / FLOW SENSORS

INDUCTIVE PROXIMITY SENSORS

PARTICULAR USE SENSORS

SENSOR OPTIONS

SIMPLE WIRE-SAVING UNITS

WIRE-SAVING SYSTEMS

MEASUREMENT SENSORS

STATIC CONTROL DEVICES

LASER MARKERS

PLC

HUMAN MACHINE INTERFACES

ENERGY MANAGEMENT SOLUTIONS

FA COMPONENTS

MACHINE VISION SYSTEMS

UV CURING SYSTEMS

Selection Guide

Amplifier Built-in

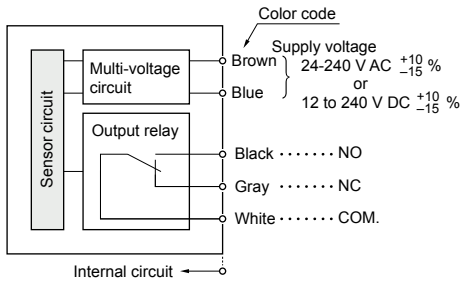
Power Supply Built-in

Amplifier-separated

NX5

## I/O CIRCUIT DIAGRAM AND OUTPUT OPERATION

### I/O circuit diagram



Note: The emitter of the thru-beam type sensor has two wires for power (+V and 0 V) only.

### Output operation

: Object detected state.

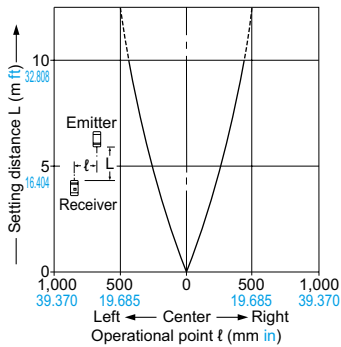
Sensing mode	Thru-beam & Retroreflective type				Diffuse reflective type			
	Light-ON (A) type		Dark-ON (B) type		Light-ON (A) type		Dark-ON (B) type	
Output	NO (Black cable)	NC (Gray cable)	NO (Black cable)	NC (Gray cable)	NO (Black cable)	NC (Gray cable)	NO (Black cable)	NC (Gray cable)
Power OFF	Open	Close	Open	Close	Open	Close	Open	Close
Beam-received	Close	Open	Open	Close	Close	Open	Open	Close
Beam-interrupted	Open	Close	Close	Open	Open	Close	Close	Open

## SENSING CHARACTERISTICS (TYPICAL)

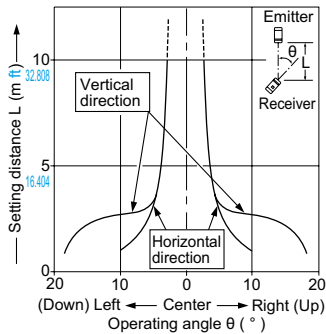
### NX5-M10RA NX5-M10RB

Thru-beam type

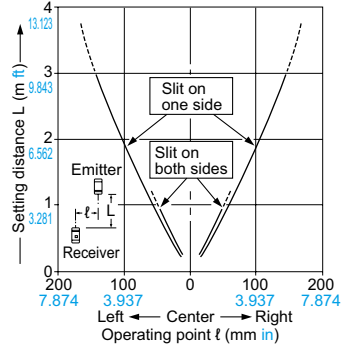
#### Parallel deviation



#### Angular deviation



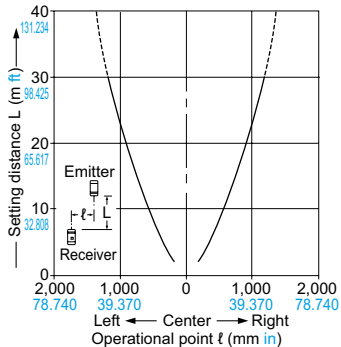
#### Parallel deviation with slit masks (3 x 6 mm 0.118 x 0.236 in)



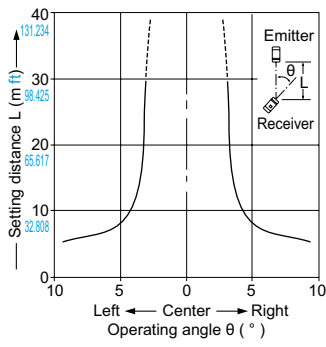
### NX5-M30A NX5-M30B

Thru-beam type

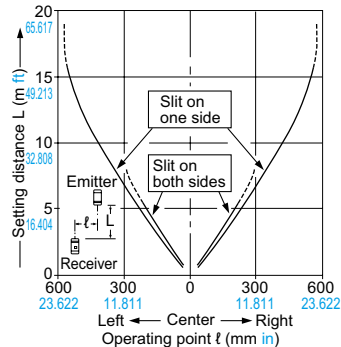
#### Parallel deviation



#### Angular deviation



#### Parallel deviation with slit masks (3 x 6 mm 0.118 x 0.236 in)

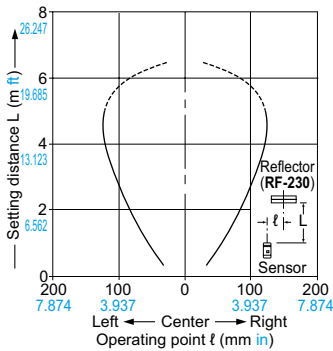




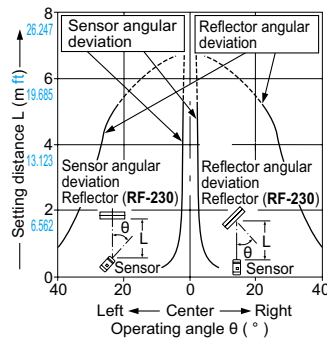
## SENSING CHARACTERISTICS (TYPICAL)

### NX5-PRVM5A NX5-PRVM5B Retroreflective type

#### Parallel deviation

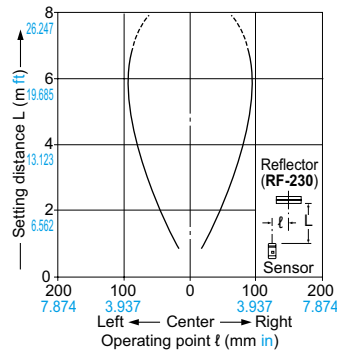


#### Angular deviation

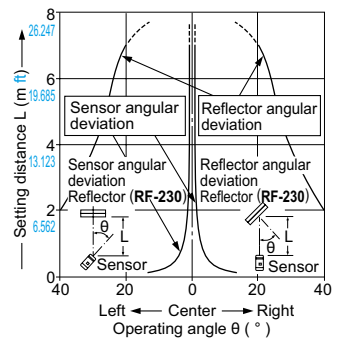


### NX5-RM7A NX5-RM7B Retroreflective type

#### Parallel deviation

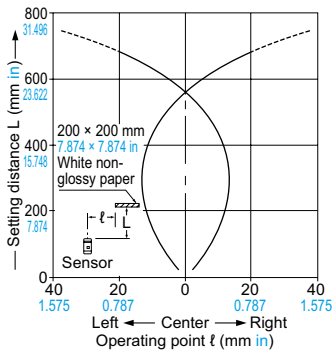


#### Angular deviation

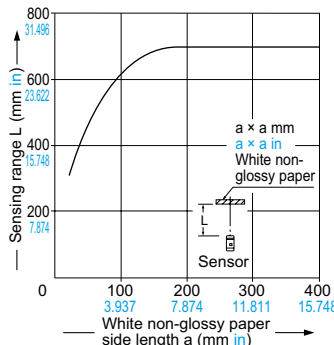


### NX5-D700A NX5-D700B Diffuse reflective type

#### Sensing field



#### Correlation between sensing object size and sensing range



As the sensing object size becomes smaller than the standard size (white non-glossy paper 200 × 200 mm 7.874 × 7.874 in), the sensing range shortens, as shown in the left graph.

(For plotting the left graph, the sensitivity has been set such that a 200 × 200 mm 7.874 × 7.874 in white non-glossy paper is just detectable at a distance of 700 mm 27.559 in.)

## PRECAUTIONS FOR PROPER USE

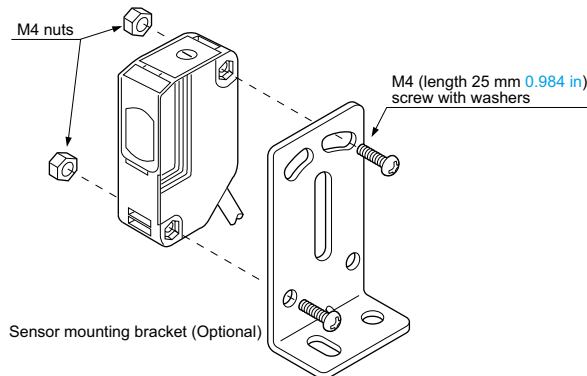
Refer to p.1552~ for general precautions.



- Never use this product as a sensing device for personnel protection.
- In case of using sensing devices for personnel protection, use products which meet laws and standards, such as OSHA, ANSI or IEC etc., for personnel protection applicable in each region or country.

### Mounting

- The tightening torque should be 0.8 N·m or less.

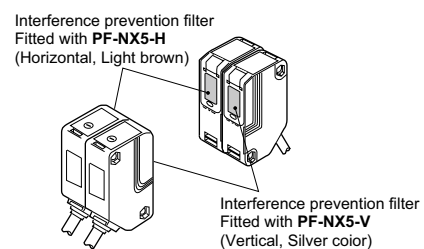


### Others

- Do not use during the initial transient time (50 ms) after the power supply is switched on.
- Although the protection degree is specified for the sensor including the cable, the cable end is not waterproof, and is not covered by the protection specified. Hence, make sure that water does not seep in from the cable end.

### Interference prevention filter (Exclusively for NX5-M10R□)

- Use the interference prevention filters (optional) when two units of thru-beam type sensors are mounted close together. However, take note that the sensing range will become short.
- There are 2 types of interference prevention filters. Install **PF-NX5-H** (Horizontal, Light brown) for 1 set, and install **PF-NX5-V** (Vertical, Silver color) for the other set.



Note: The filters cannot be used for **NX5-M30A** or **NX5-M30B**.

FIBER SENSORS

LASER SENSORS

PHOTO-ELECTRIC SENSORS

MICRO PHOTO-ELECTRIC SENSORS

AREA SENSORS

SAFETY LIGHT CURTAINS / SAFETY COMPONENTS

PRESSURE / FLOW SENSORS

INDUCTIVE PROXIMITY SENSORS

PARTICULAR USE SENSORS

SENSOR OPTIONS

SIMPLE WIRE-SAVING UNITS

WIRE-SAVING SYSTEMS

MEASUREMENT SENSORS

STATIC CONTROL DEVICES

LASER MARKERS

PLC

HUMAN MACHINE INTERFACES

ENERGY MANAGEMENT SOLUTIONS

FA COMPONENTS

MACHINE VISION SYSTEMS

UV CURING SYSTEMS

Selection Guide

Amplifier Built-in

Power Supply Built-in

Amplifier-separated

NX5

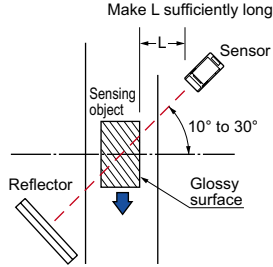
**PRECAUTIONS FOR PROPER USE**

Refer to p.1552~ for general precautions.

**Retroreflective type sensor (NX5-RM7□)**

• Please take care of the following points when detecting materials having a gloss.

- ① Make L, shown in the diagram, sufficiently long.
- ② Install at an angle of 10 to 30 degrees to the sensing object.



\* **NX5-PRVM5□** does not need the above adjustment.

**Retroreflective type sensor with polarizing filters (NX5-PRVM5□)**

• If a shiny object is covered or wrapped with a transparent film, such as those described below, the retroreflective type sensor with polarizing filters may not be able to detect it.

In that case, follow the steps given below.

**Example of sensing objects**

- Can wrapped by clear film
- Aluminum sheet covered by plastic film
- Gold or silver color (specular) label or wrapping paper

**Steps**

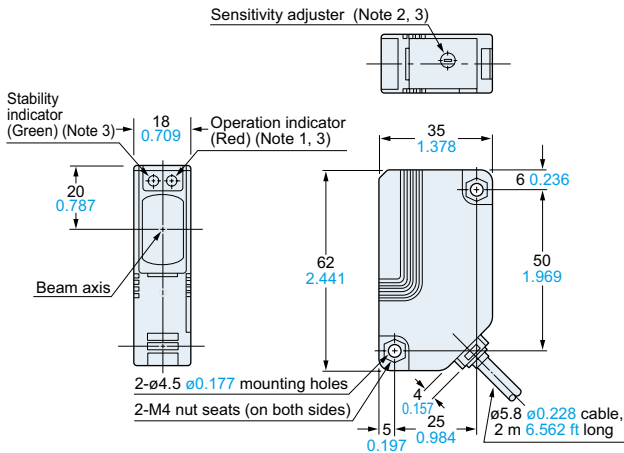
- Tilt the sensor with respect to the sensing object while fitting.
- Reduce the sensitivity.
- Increase the distance between the sensor and the sensing object.

**DIMENSIONS (Unit: mm in)**

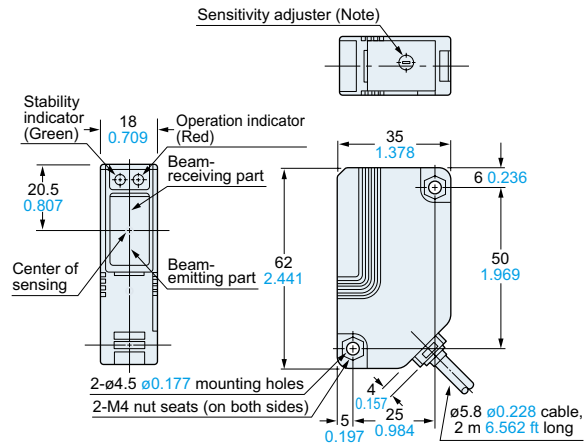
The CAD data can be downloaded from our website.

**NX5-M10RA NX5-M10RB NX5-M30A NX5-M30B Sensor**

**NX5-PRVM5A NX5-PRVM5B NX5-RM7A NX5-RM7B Sensor**

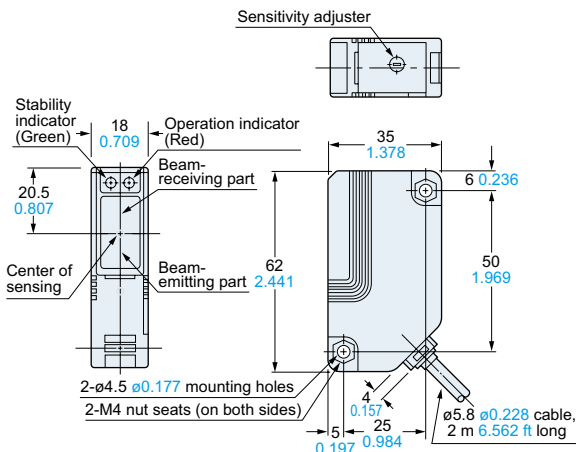


Notes: 1) It is the power indicator (red) on the emitter of **NX5-M30□**.  
 2) Not incorporated on **NX5-M30□**.  
 3) Not incorporated on the emitter.



Note: Not incorporated on **NX5-RM7□**.

**NX5-D700A NX5-D700B Sensor**

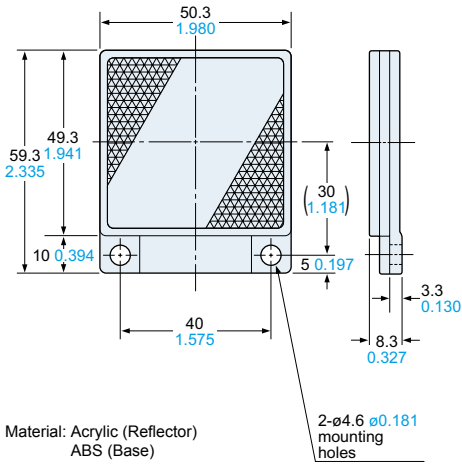


- FIBER SENSORS
- LASER SENSORS
- PHOTO-ELECTRIC SENSORS
- MICRO PHOTO-ELECTRIC SENSORS
- AREA SENSORS
- SAFETY LIGHT CURTAINS / SAFETY COMPONENTS
- PRESSURE / FLOW SENSORS
- INDUCTIVE PROXIMITY SENSORS
- PARTICULAR USE SENSORS
- SENSOR OPTIONS
- SIMPLE WIRE-SAVING UNITS
- WIRE-SAVING SYSTEMS
- MEASURE-MENT SENSORS
- STATIC CONTROL DEVICES
- LASER MARKERS
- PLC
- HUMAN MACHINE INTERFACES
- ENERGY MANAGEMENT SOLUTIONS
- FA COMPONENTS
- MACHINE VISION SYSTEMS
- UV CURING SYSTEMS
- Selection Guide
- Amplifier Built-in
- Power Supply Built-in
- Amplifier-separated
- NX5**

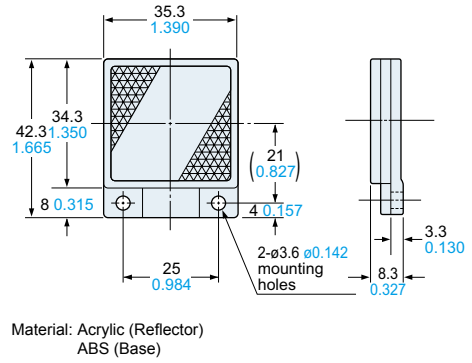
**DIMENSIONS (Unit: mm in)**

The CAD data can be downloaded from our website.

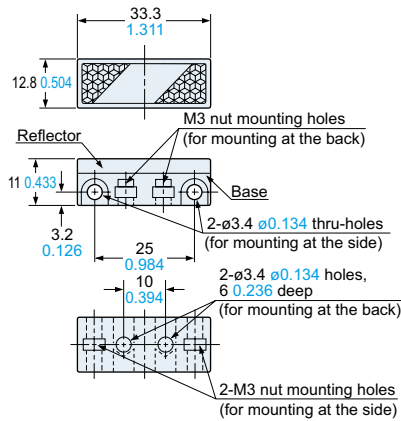
**RF-230** Reflector (Accessory for the retroreflective type sensor)



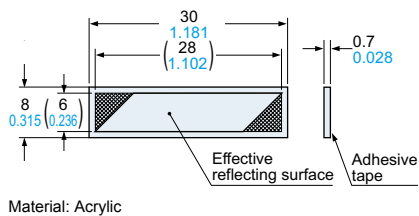
**RF-220** Reflector (Optional)



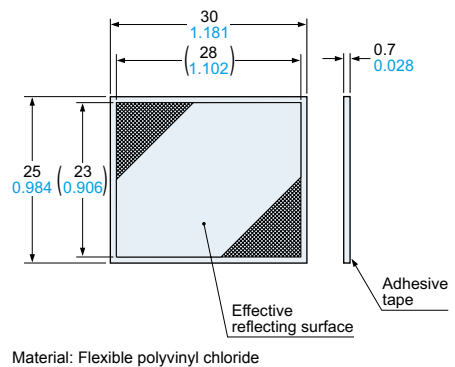
**RF-210** Reflector (Optional)



**RF-11** Reflective tape (Optional)



**RF-12** Reflective tape (Optional)



FIBER SENSORS
LASER SENSORS
PHOTO-ELECTRIC SENSORS
MICRO PHOTO-ELECTRIC SENSORS
AREA SENSORS
SAFETY LIGHT CURTAINS / SAFETY COMPONENTS
PRESSURE / FLOW SENSORS
INDUCTIVE PROXIMITY SENSORS
PARTICULAR USE SENSORS
SENSOR OPTIONS
SIMPLE WIRE-SAVING UNITS
WIRE-SAVING SYSTEMS
MEASUREMENT SENSORS
STATIC CONTROL DEVICES
LASER MARKERS
PLC
HUMAN MACHINE INTERFACES
ENERGY MANAGEMENT SOLUTIONS
FA COMPONENTS
MACHINE VISION SYSTEMS
UV CURING SYSTEMS

Selection Guide
Amplifier Built-in
Power Supply Built-in
Amplifier-separated

**NX5**



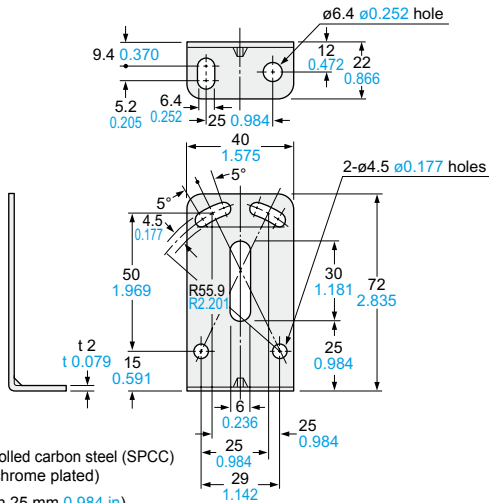
- FIBER SENSORS
- LASER SENSORS
- PHOTO-ELECTRIC SENSORS
- MICRO PHOTO-ELECTRIC SENSORS
- AREA SENSORS
- SAFETY LIGHT CURTAINS / SAFETY COMPONENTS
- PRESSURE / FLOW SENSORS
- INDUCTIVE PROXIMITY SENSORS
- PARTICULAR USE SENSORS
- SENSOR OPTIONS
- SIMPLE WIRE SAVING UNITS
- WIRE SAVING SYSTEMS
- MEASUREMENT SENSORS
- STATIC CONTROL DEVICES
- LASER MARKERS
- PLC
- HUMAN MACHINE INTERFACES
- ENERGY MANAGEMENT SOLUTIONS
- FA COMPONENTS
- MACHINE VISION SYSTEMS
- UV CURING SYSTEMS
- Selection Guide
- Amplifier Built-in
- Power Supply Built-in
- Amplifier-separated

**DIMENSIONS (Unit: mm in)**

The CAD data can be downloaded from our website.

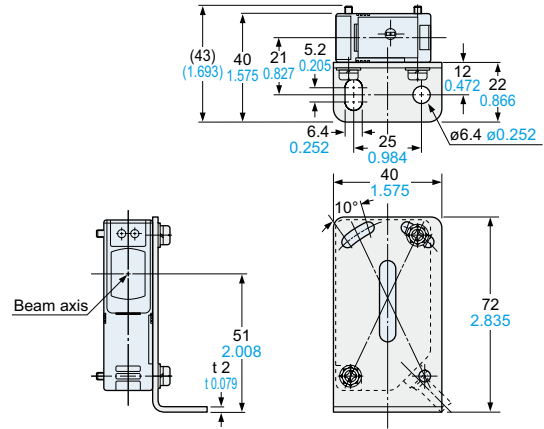
**MS-NX5-1**

Sensor mounting bracket (Optional)



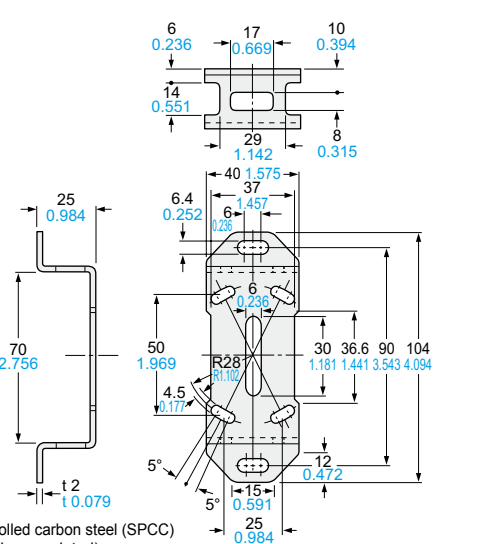
**Assembly dimensions**

Mounting drawing with the receiver of **NX5-M10R**



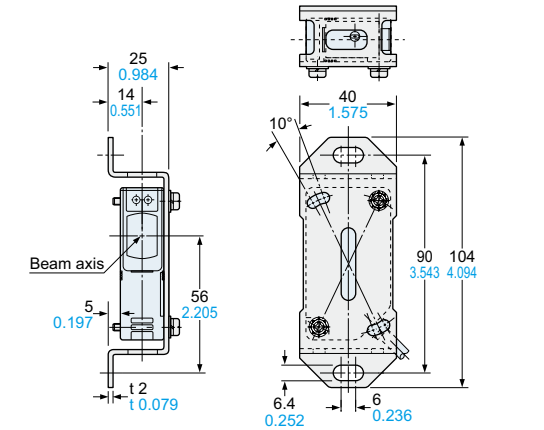
**MS-NX5-2**

Sensor mounting bracket (Optional)



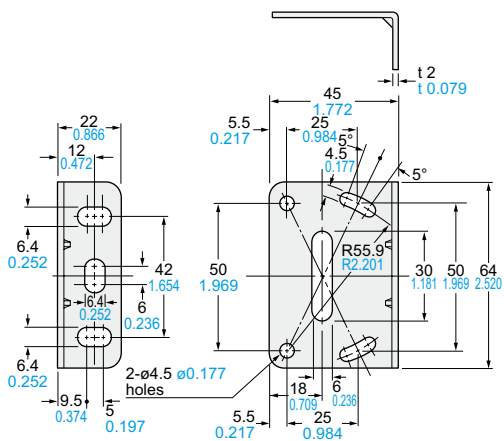
**Assembly dimensions**

Mounting drawing with the receiver of **NX5-M10R**



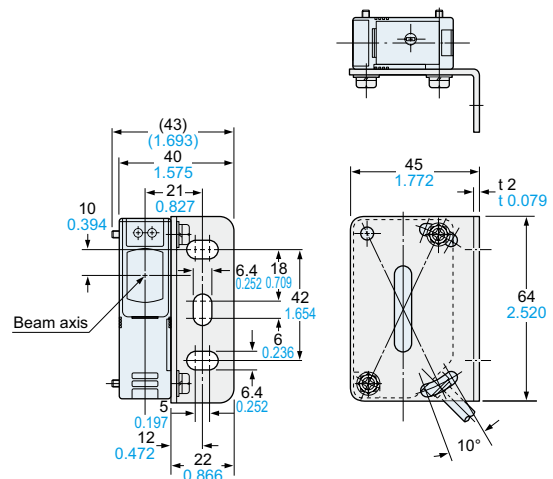
**MS-NX5-3**

Sensor mounting bracket (Optional)



**Assembly dimensions**

Mounting drawing with the receiver of **NX5-M10R**



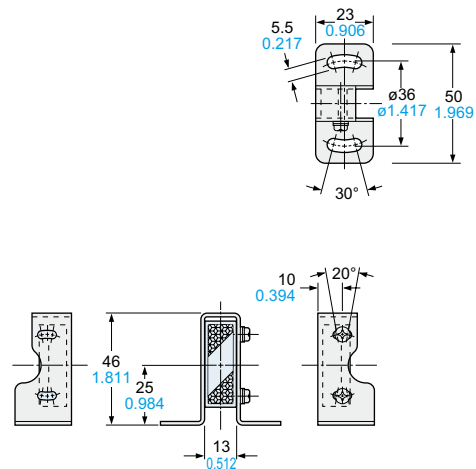
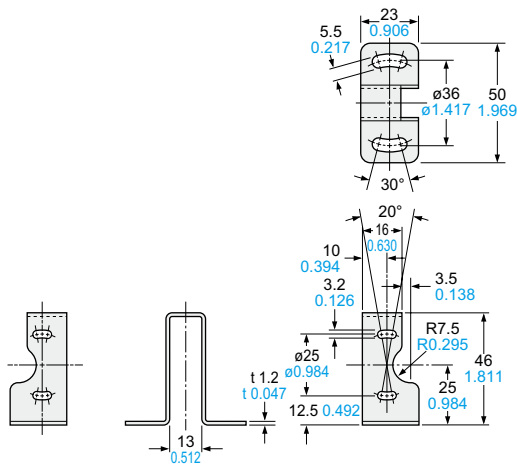
**DIMENSIONS (Unit: mm in)**

The CAD data can be downloaded from our website.

**MS-RF21-1**

Reflector mounting bracket for RF-210 (Optional)

**Assembly dimensions**



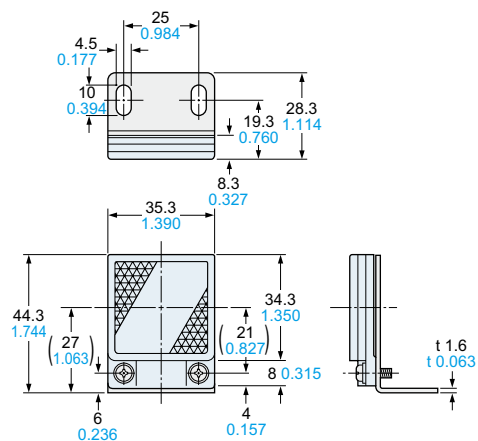
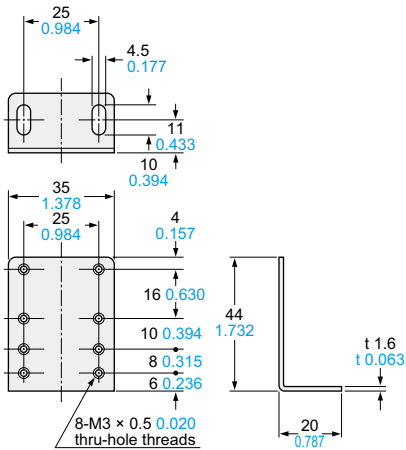
Material: Stainless steel (SUS304)

Two M3 (length 12 mm 0.472 in) screws with washers are attached.

**MS-RF22**

Reflector mounting bracket for RF-220 (Optional)

**Assembly dimensions**



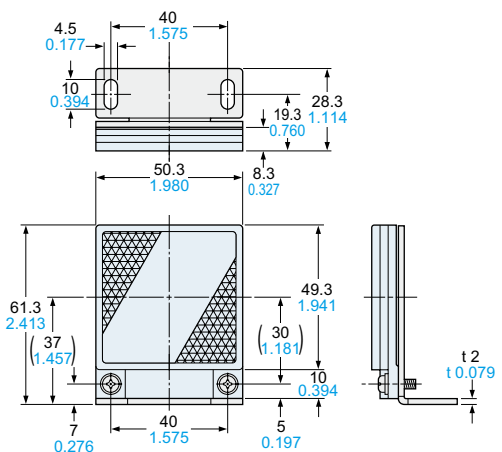
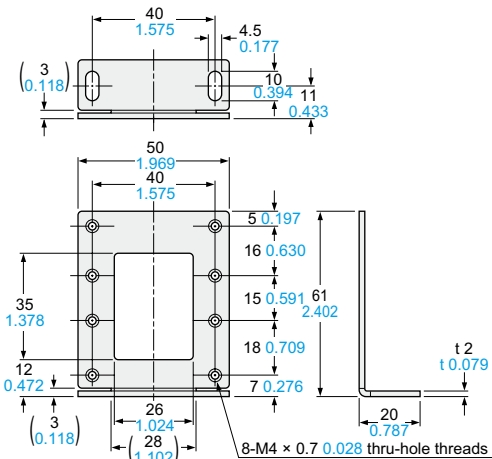
Material: Cold rolled carbon steel (SPCC)  
(Uni-chrome plated)

Two M3 (length 8 mm 0.315 in) screws with washers are attached.

**MS-RF23**

Reflector mounting bracket for RF-230 (Optional)

**Assembly dimensions**



Material: Cold rolled carbon steel (SPCC)  
(Uni-chrome plated)

Two M4 (length 10 mm 0.394 in) screws with washers are attached.

FIBER SENSORS

LASER SENSORS

PHOTO-ELECTRIC SENSORS

MICRO PHOTO-ELECTRIC SENSORS

AREA SENSORS

SAFETY LIGHT CURTAINS / SAFETY COMPONENTS

PRESSURE / FLOW SENSORS

INDUCTIVE PROXIMITY SENSORS

PARTICULAR USE SENSORS

SENSOR OPTIONS

SIMPLE WIRE-SAVING UNITS

WIRE-SAVING SYSTEMS

MEASUREMENT SENSORS

STATIC CONTROL DEVICES

LASER MARKERS

PLC

HUMAN MACHINE INTERFACES

ENERGY MANAGEMENT SOLUTIONS

FA COMPONENTS

MACHINE VISION SYSTEMS

UV CURING SYSTEMS

Selection Guide

Amplifier Built-in

Power Supply Built-in

Amplifier-separated

**NX5**