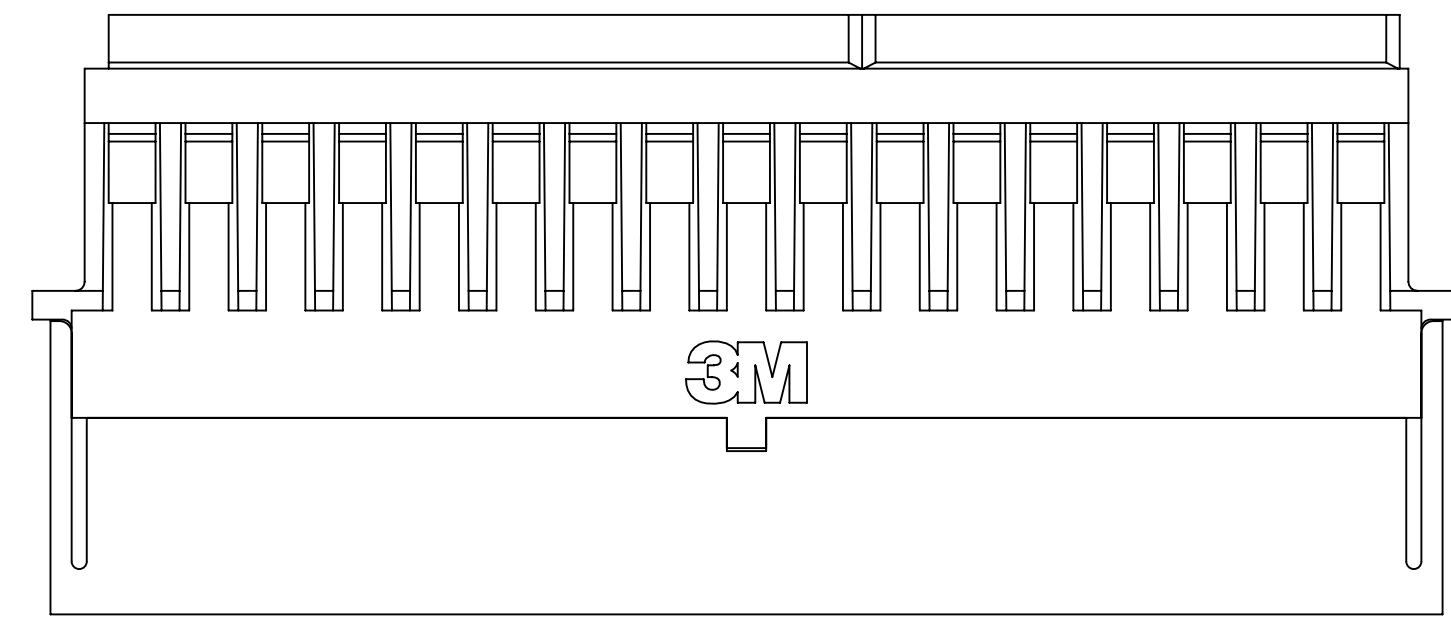
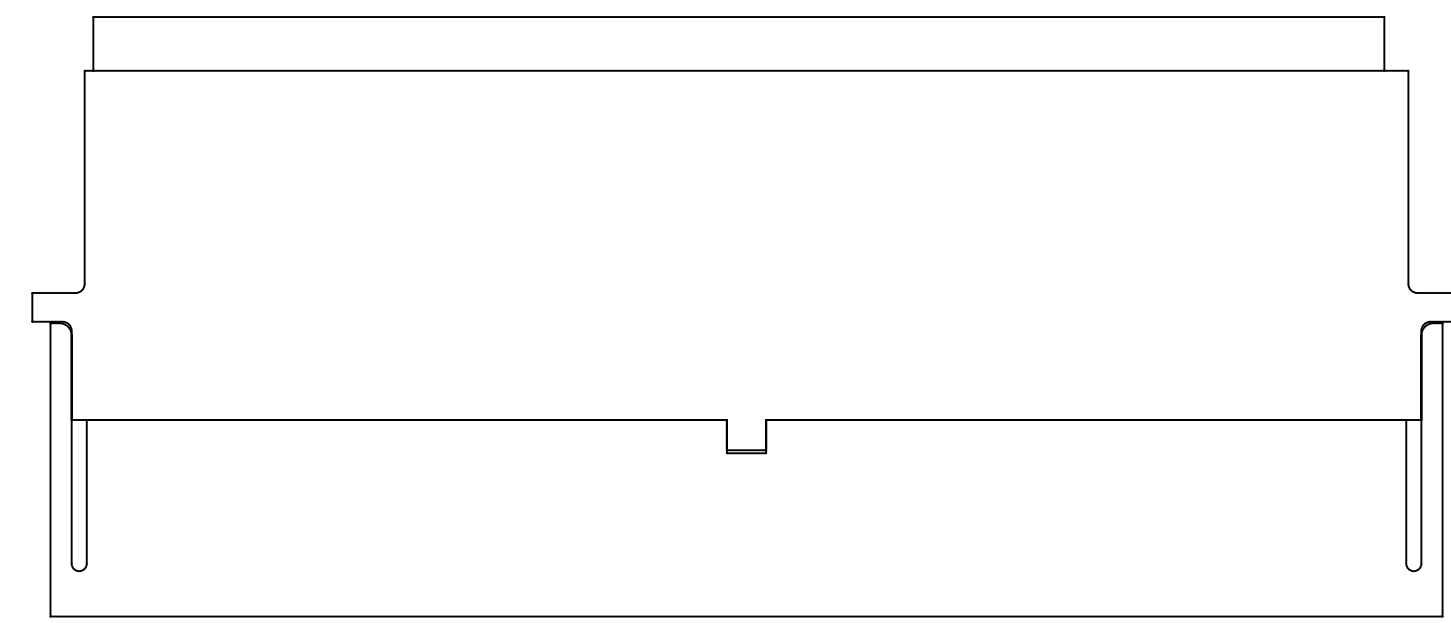


# 3M™ SHIELDED CONTROLLED IMPEDANCE (SCI)

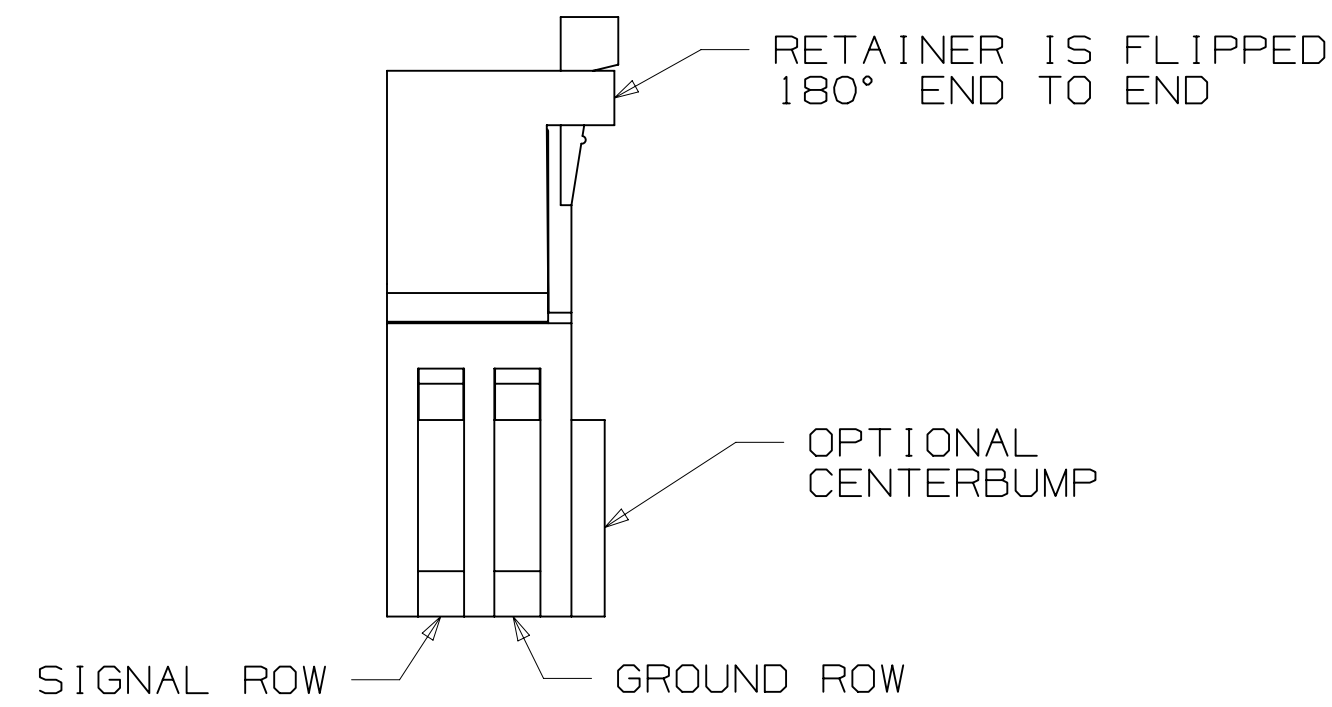
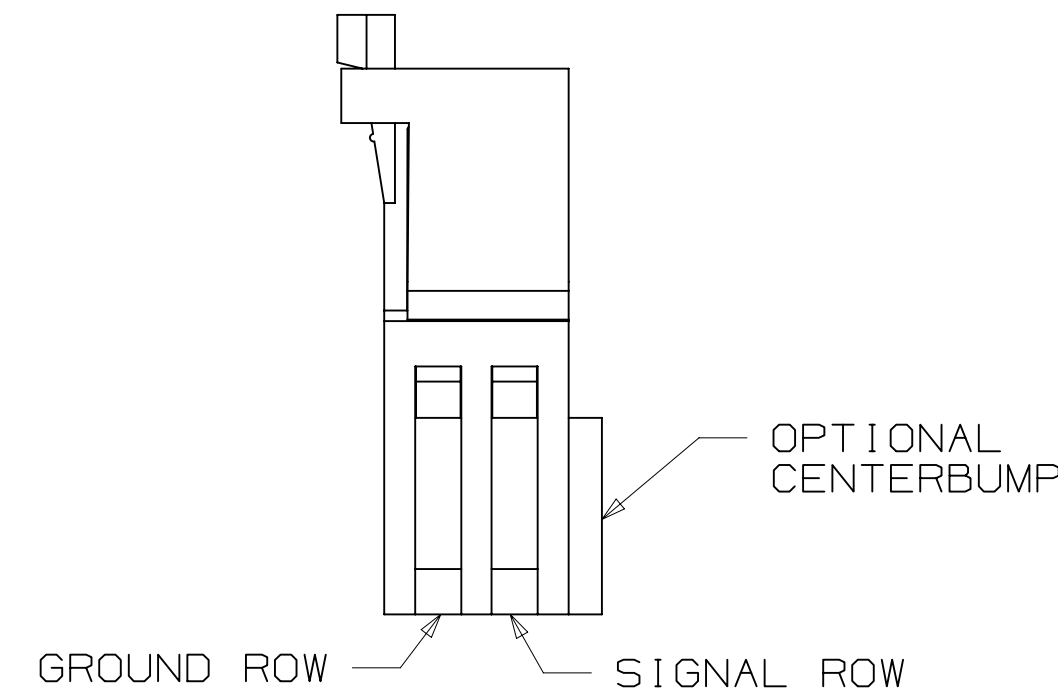
.100" ASSEMBLY HARDWARE



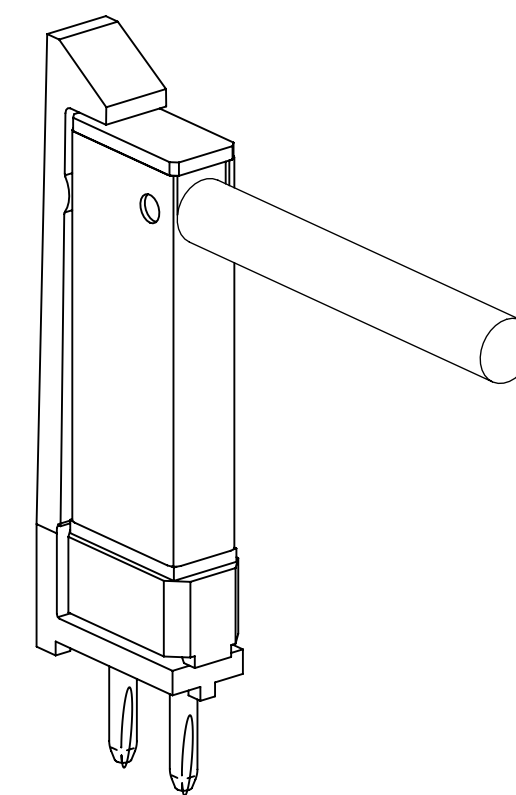
98XX-PSMO  
NORMAL "MO" RETENTION STYLE



98XX-PSMR  
REVERSE "MR" RETENTION STYLE



NOTE:  
1) PIN STRIP LATCH IS FOR USE WITH  
.100 SCI, RIGHT ANGLE CONNECTOR  
TYPE 22 ONLY.  
(SEE TECH SHEET TS-0803)



## 2 ROW CARRIER HOUSING

- \* CARRIERS AVAILABLE IN 3M .100" X .100" (2.54MM X 2.54MM) SOCKET.
- \* COMPATIBLE WITH ALL 3M .100" X .100" (2.54MM X 2.54MM) HEADERS.
- \* AVAILABLE IN SHORT OR LONG LATCH STYLES. CHECK STYLE FOR MATCH.

## 3 X 7 CARRIER HOUSING

- \* INTEGRAL LOCKING FEATURE.
- \* INCLUDES TWO RETENTION CLIPS.

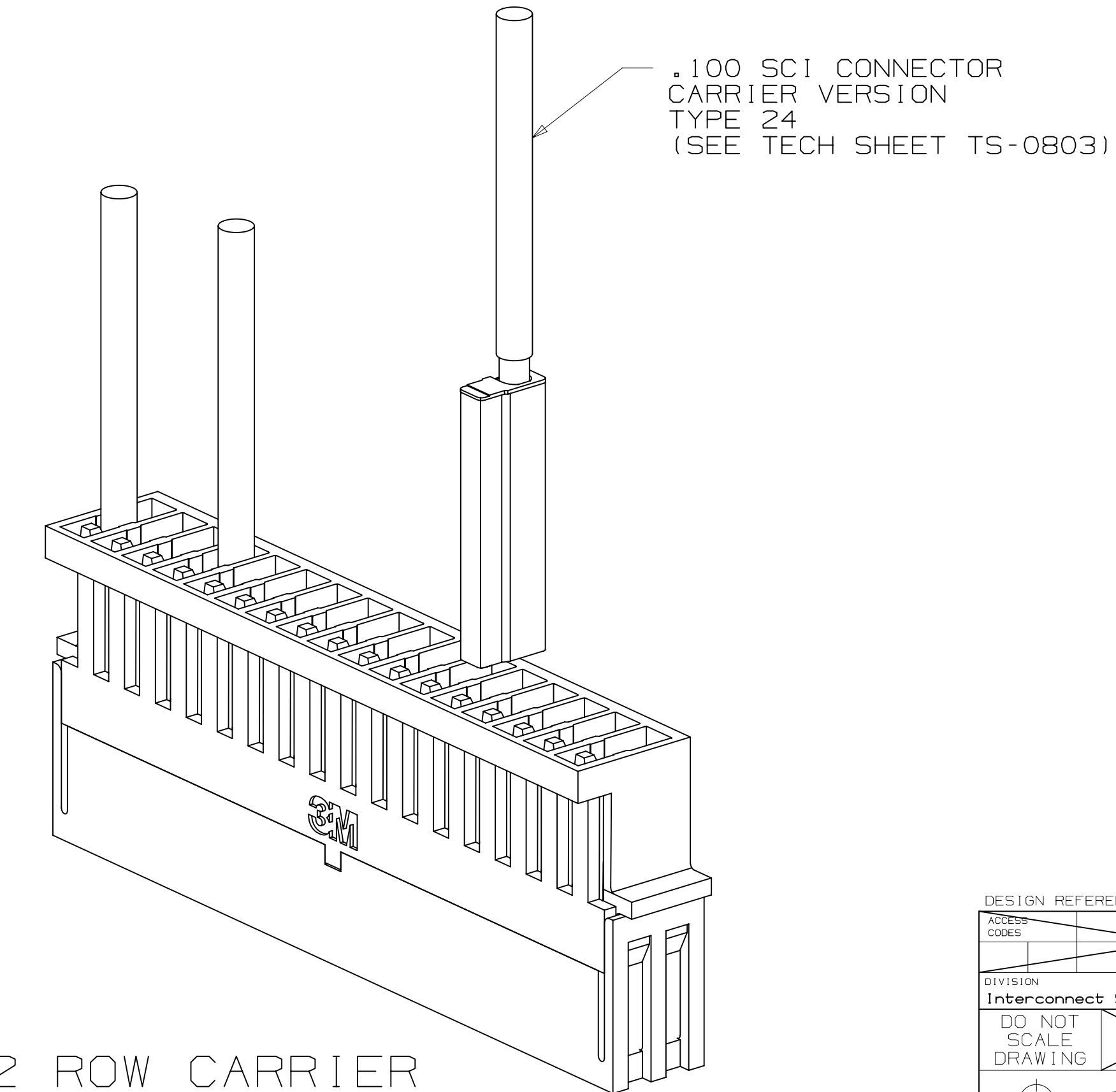
## PIN STRIP LATCH

- \* AVAILABLE FOR THE RIGHT ANGLE SCI CONNECTOR.
- \* RoHS COMPLIANT

## 2 PHYSICAL :

INSULATION MATERIAL:

- 2 ROW CARRIER: POLYCARBONATE
- 3 X 7 CARRIER: GLASS REINFORCED POLYESTER
- COLOR: BLACK
- FLAMMABILITY: UL 94V-0
- MARKINGS: 3M LOGO
- CONTACTS: COPPER ALLOY



- NOTES
- REGULATORY INFORMATION:  
VISIT 3M.com/regs
  - IN THE EVENT OF CONFLICT BETWEEN THIS DATA AND THAT CONTAINED IN THE PRODUCT SPECIFICATION, THE PRODUCT SPECIFICATION TAKES PRECEDENT.

3M ELECTRONICS MATERIALS SOLUTIONS DIVISION  
INTERCONNECT SOLUTIONS  
<http://www.3M.com/interconnect>

3M IS A TRADEMARK OF 3M COMPANY.  
FOR TECHNICAL, SALES OR ORDERING  
INFORMATION CALL 800-225-5373

DESIGN REFERENCE	NEXT ASSEMBLY	REV	ECO	ISSUE DATE AND DESCRIPTION	DRFT	CHKD
		C	92908	SEP 24, 2020 REVISE ORDERING INFO SHT 2	JNC	FJR
		B	44714	JAN 03, 2013 REVISED AND REDRAWN	JNC	RS
		DRFT	CASTIGLIONE	DATE JAN 03, 2013	MFG	DATE
		CHKD	R. SCHERER	DATE JAN 03, 2013		

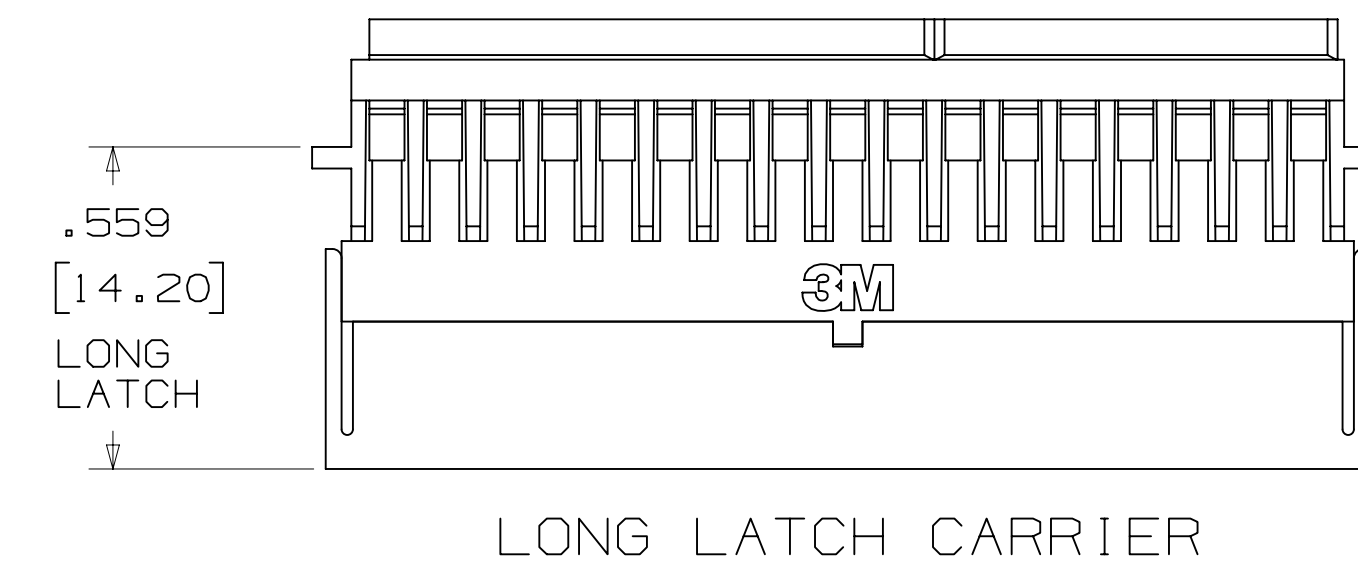
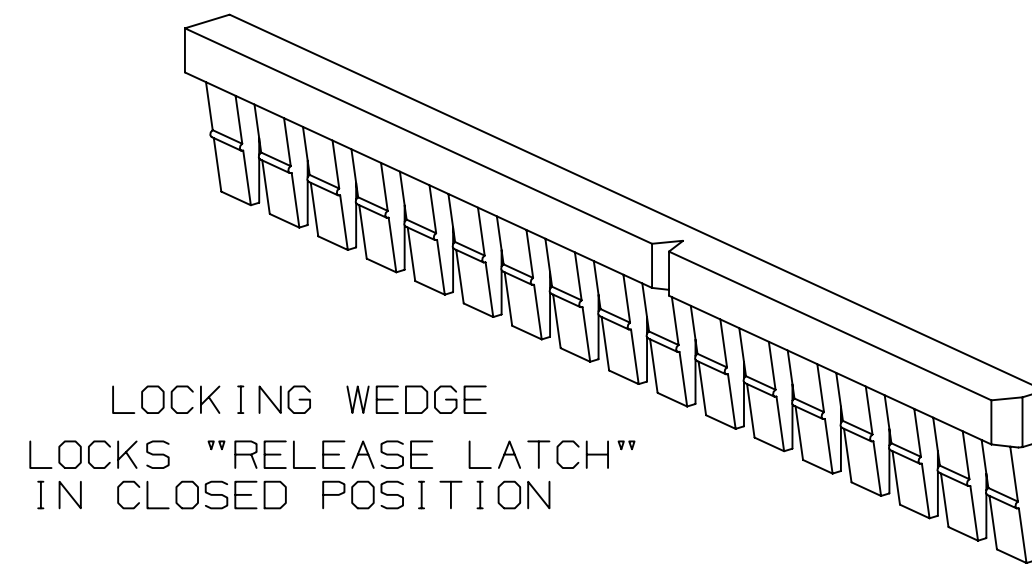
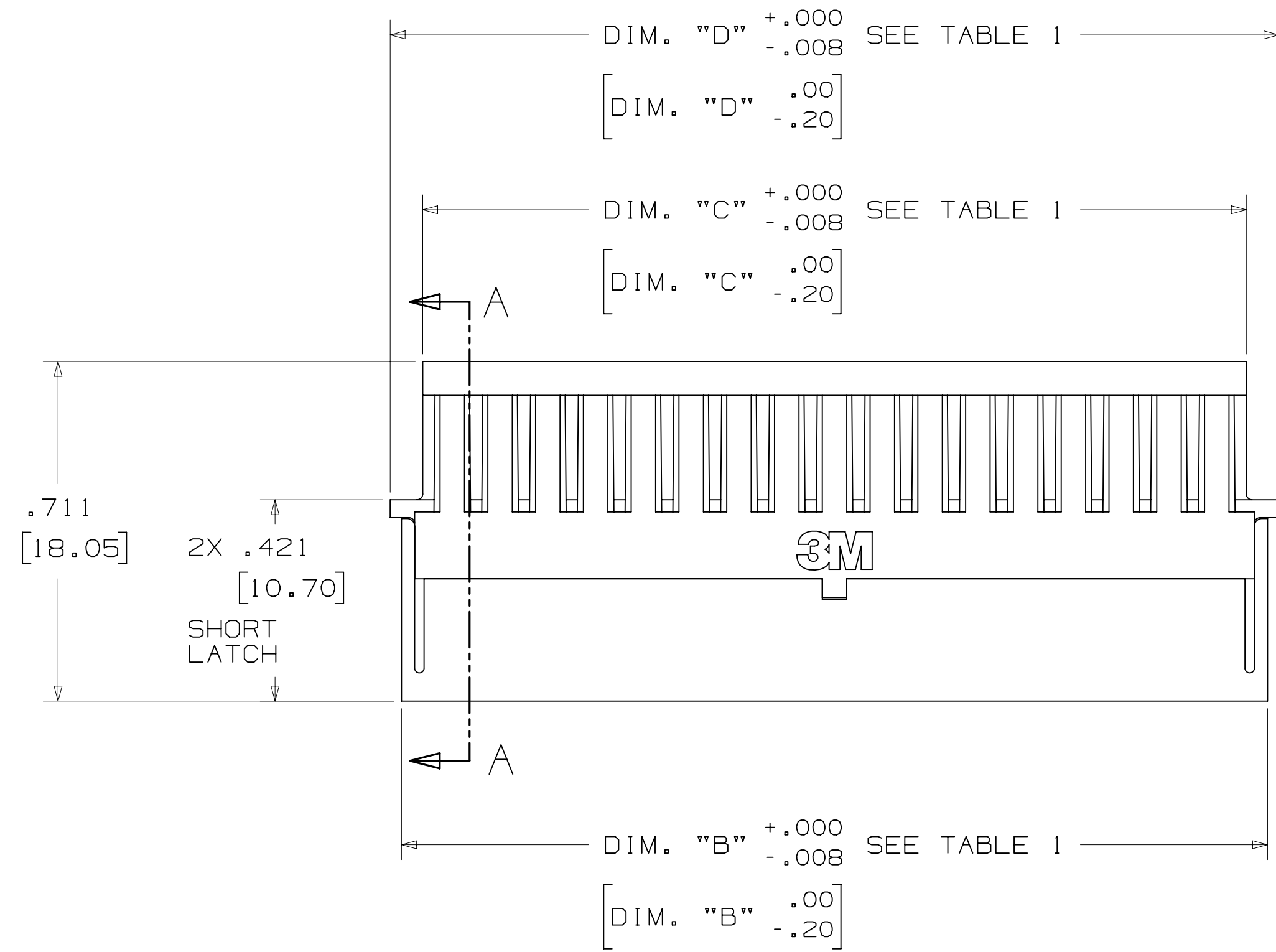
  

DIVISION Interconnect Solutions DO NOT SCALE DRAWING THIRD ANGLE PROJECTION MAX SURFACE ROUGHNESS MARKED ONLY	SCALE TOLERANCES EXCEPT AS NOTED INCHES: .0 ± .1 .00 ± .01 .000 ± .005 .0000 ± .0002 MILLIMETERS 0 ± .2 .0 ± .3 .00 ± .13 .000 ± .005	DIVISION CODE ISD 3M Center St. Paul, MN 55144 © 3M COPYRIGHT 2020 This document and the information it contains are 3M property and may not be reproduced or further distributed without 3M permission, or used or disclosed other than for 3M authorized purposes. All rights reserved. TITLE 3M™ SHIELDED CONTROLLED IMPEDANCE (SCI) .100" ASSEMBLY HARDWARE CAGE NUMBER D78-5100-0802-8 MODEL DET. [ ] YES [X] NO SHT 1 OF 4
--	--	--

78-5100-0802-8  
 DRAWING NUMBER  
 6  
 Drf-set (hrs)  
 6  
 UTC  
 9/24/2020  
 Time  
 Standard  
 Central  
 Image:

# 3M™ SHIELDED CONTROLLED IMPEDANCE (SCI)

.100" ASSEMBLY HARDWARE



LONG LATCH CARRIER

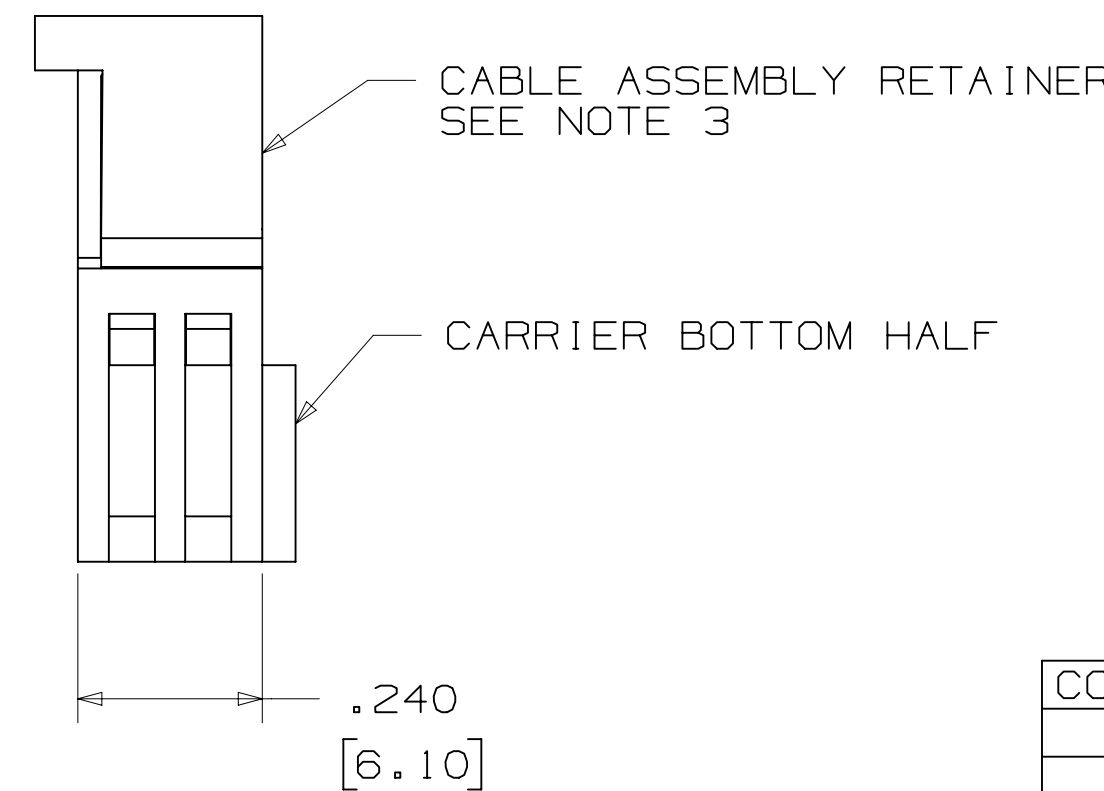
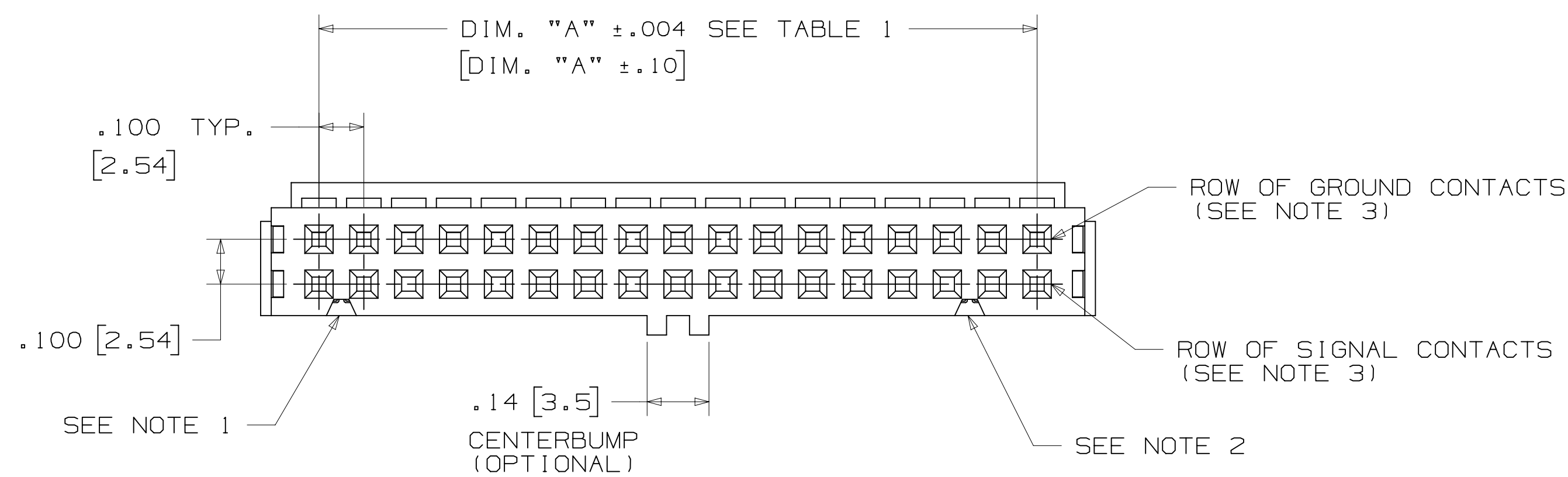


TABLE 1: CARRIER POSITIONS

CONTACT QTY.	DIM. "A"	DIM. "B"	DIM. "C"	DIM. "D"
06	.20 [5.08]	.41 [10.48]	.32 [8.22]	.46 [11.68]
08	.30 [7.62]	.51 [13.02]	.42 [10.76]	.56 [14.22]
* 10	.40 [10.16]	.61 [15.56]	.52 [13.30]	.66 [16.76]
12	.50 [12.70]	.71 [18.10]	.62 [15.84]	.76 [19.30]
* 14	.60 [15.24]	.81 [20.64]	.72 [18.38]	.86 [21.84]
* 16	.70 [17.78]	.91 [23.18]	.82 [20.92]	.96 [24.38]
* 20	.90 [22.86]	1.11 [28.26]	1.02 [26.00]	1.16 [29.46]
* 26	1.20 [30.48]	1.41 [35.88]	1.32 [33.62]	1.46 [37.08]
30	1.40 [35.56]	1.61 [40.96]	1.52 [38.70]	1.66 [42.16]
* 34	1.60 [40.64]	1.81 [46.04]	1.72 [43.78]	1.86 [47.24]
* 40	1.90 [48.26]	2.11 [53.66]	2.02 [51.40]	2.16 [54.86]
* 50	2.40 [60.96]	2.61 [66.36]	2.52 [64.10]	2.66 [67.56]
60	2.90 [73.66]	3.11 [79.06]	3.02 [76.80]	3.16 [80.26]
* 64	3.10 [78.74]	3.31 [84.14]	3.22 [81.88]	3.36 [85.34]

\* TOOLED POSITIONS: CONTACT 3M SALES FOR ADDITIONAL POSITIONS

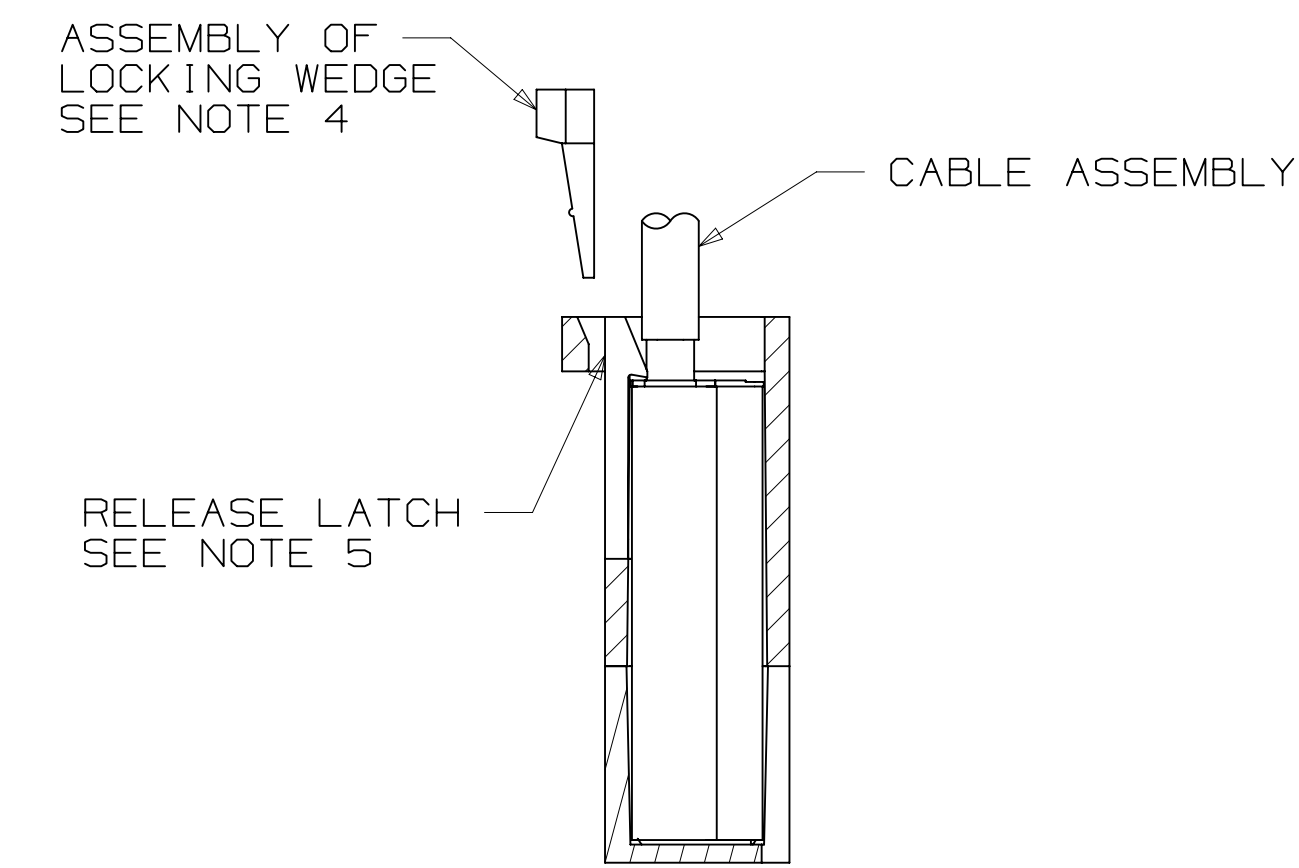


## ORDERING INFORMATION 2 ROW CARRIER HOUSING

98XX - XXXX

CONTACT QTY. SEE TABLE 1  
MOLDED RETENTION FEATURE:  
MO = NORMAL  
MR = REVERSE

CARRIER STYLE:  
PS = CENTERBUMP, SHORT LATCHES  
NS = NO CENTERBUMP, SHORT LATCHES  
PL = CENTERBUMP, LONG LATCHES  
NL = NO CENTERBUMP, LONG LATCHES



SECTION A - A

- NOTES
- 1 POLARIZING GROOVE OMITTED FOR POSITIONS 6 AND 8.
  - 2 POLARIZING GROOVE OMITTED FOR POSITIONS 6, 8, 10, 12 AND 14.
  - 3 THE NORMAL "MO" RETENTION STYLE IS ILLUSTRATED. FOR THE REVERSE "MR" RETENTION STYLE THE CABLE ASSEMBLY RETAINER IS FLIPPED 180° END TO END AND THE "SIGNAL" AND "GROUND" ROWS OF CONTACTS ARE ALSO REVERSED.
  - 4 OPTIONAL LOCKING WEDGE PREVENTS SCI REMOVAL. 25 POSITION (CUT TO LENGTH)
  - 5 RELEASE LATCH CAN BE MOVED WITH FINGERNAIL TO ALLOW REPLACEMENT OF SCI CABLE LINE.

DESIGN REFERENCE	NEXT ASSEMBLY	REV	ECO	ISSUE DATE AND DESCRIPTION	DRFT	CHKD
DIVISION CODES		DIVISION CODE		DATE		
Interconnect Solutions		ISD		DATE		
DO NOT SCALE DRAWING		TOLERANCES EXCEPT AS NOTED		DATE		
THIRD ANGLE PROJECTION		INCHES		DATE		
INTERPRET PER ASME Y14.5 - 2018		MILLIMETERS		DATE		
MAX SURFACE ROUGHNESS		ANGLES		DATE		
SURFACES				DATE		
MARKED ONLY				DATE		

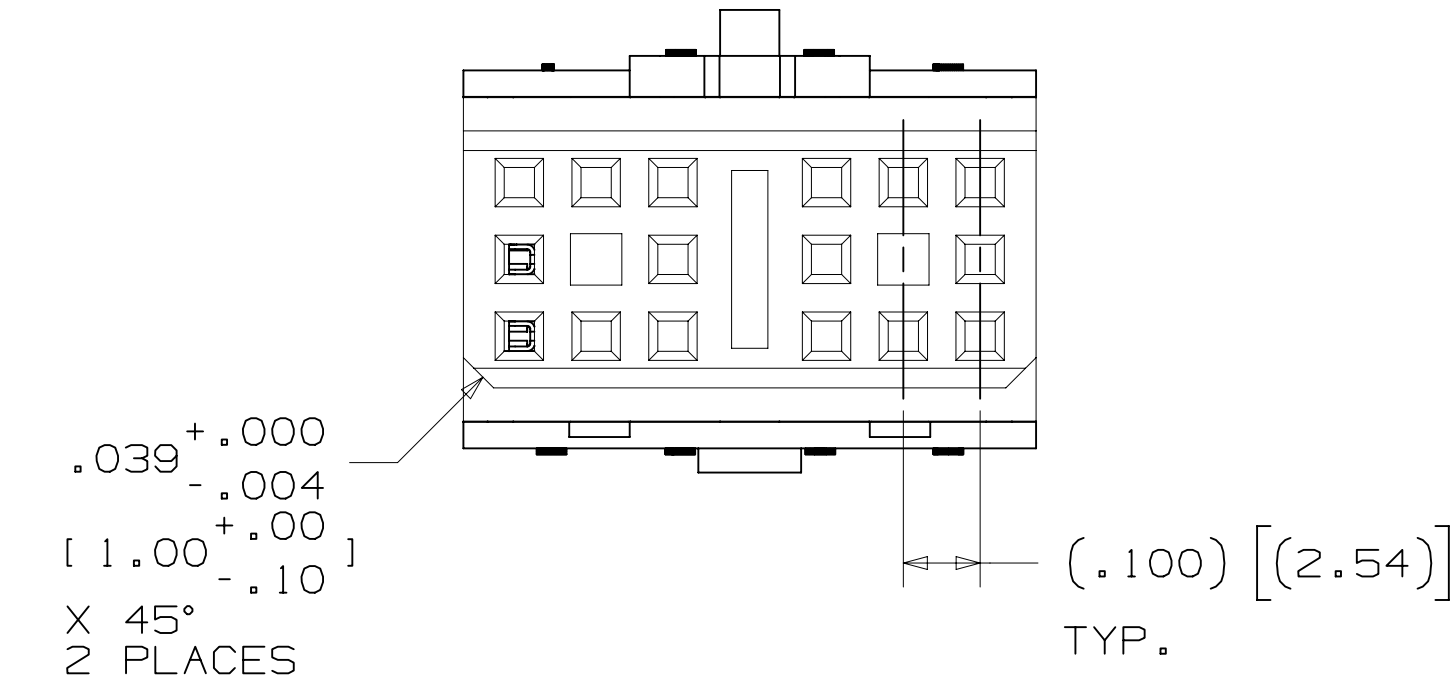
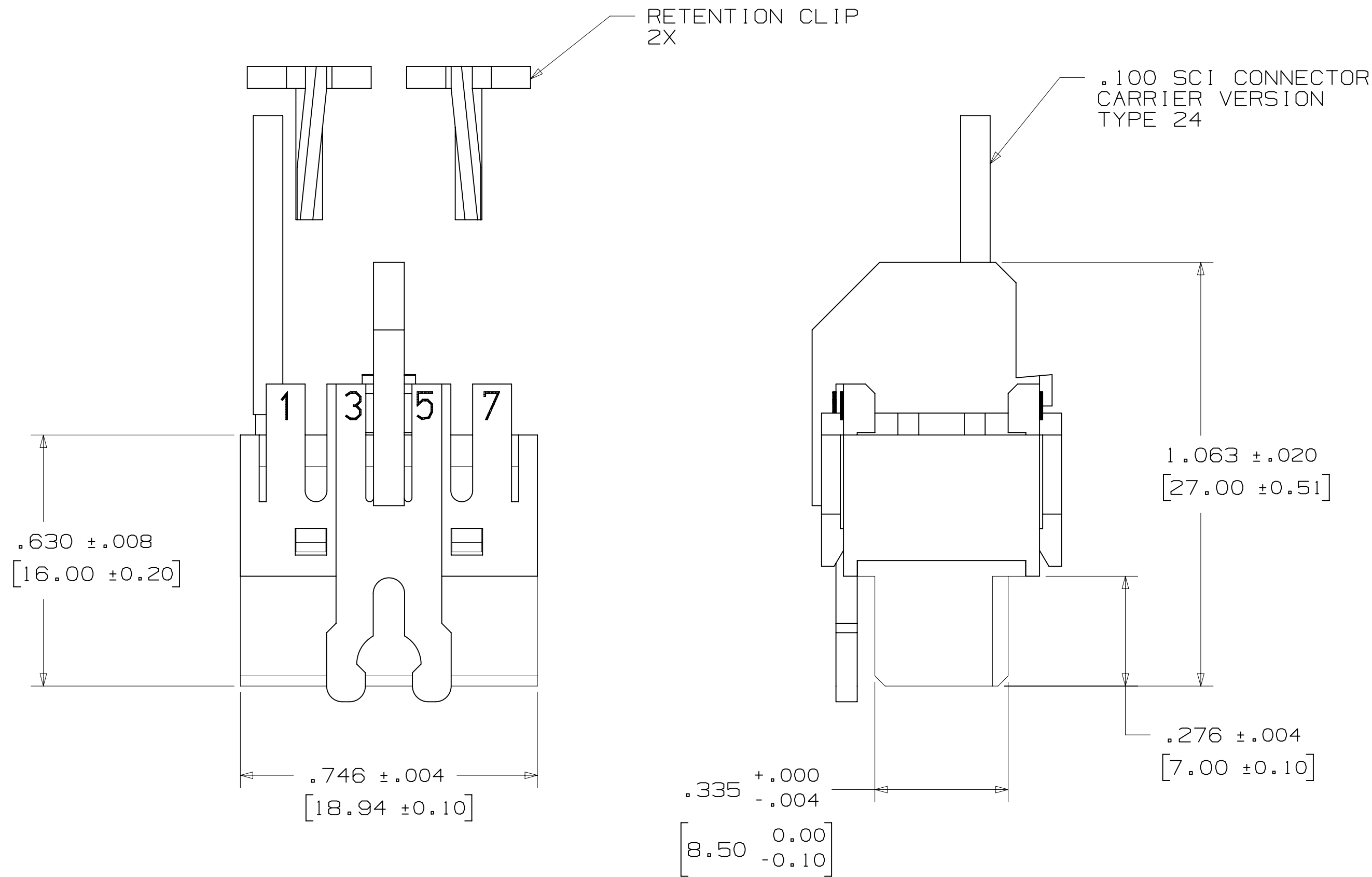
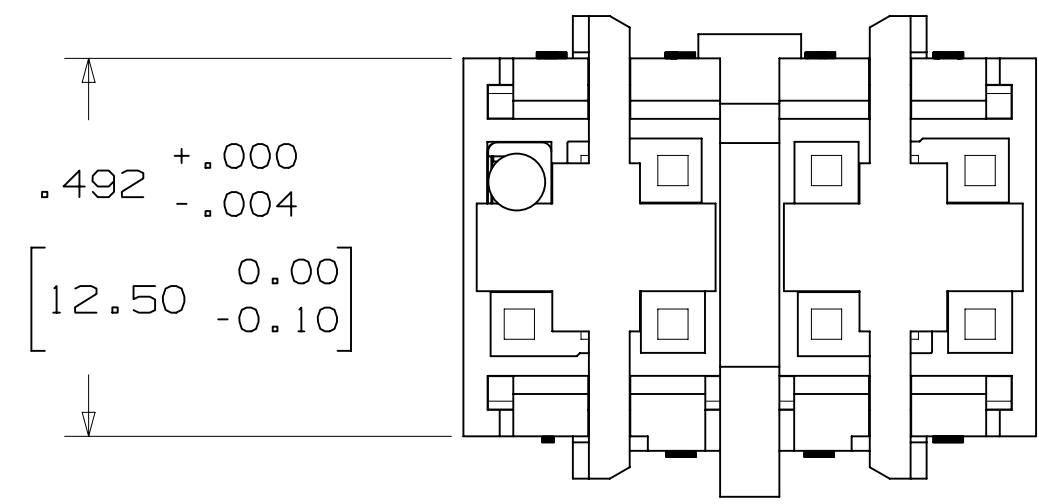
C	92908	SEP 24, 2020	JNC	FJR
B	44714	JAN 03, 2013	JNC	RS

3M  
© 3M COPYRIGT 2020  
This document and the information it contains are 3M property and may not be reproduced or further distributed without 3M permission, or used or disclosed other than for 3M authorized purposes. All rights reserved.

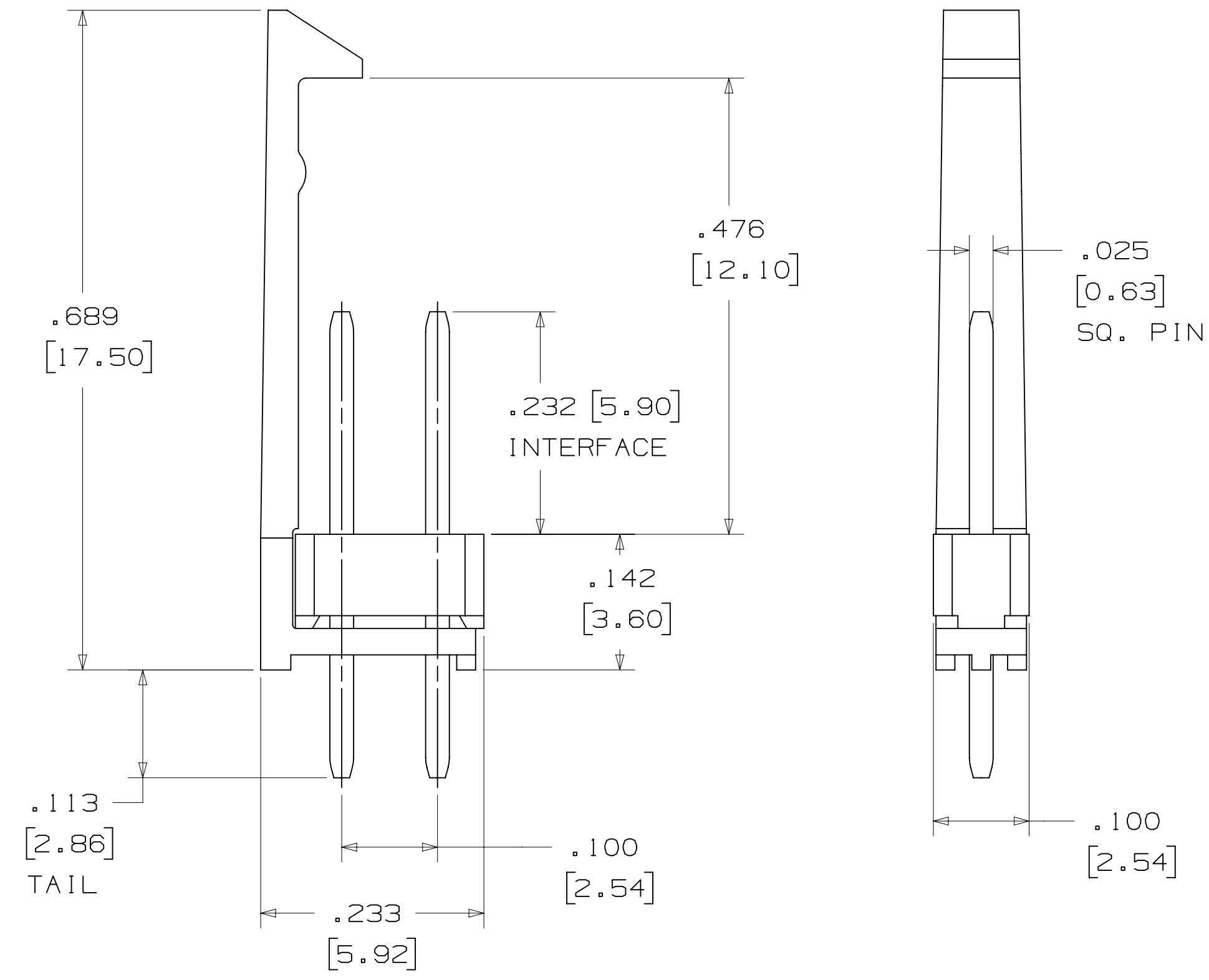
3M™ SHIELDED CONTROLLED IMPEDANCE (SCI)  
.100" ASSEMBLY HARDWARE

CAGE NUMBER: D 78-5100-0802-8  
REV. C  
SHT 2 OF 4

3M™ SHIELDED CONTROLLED IMPEDANCE (SCI)  
 .100" ASSEMBLY HARDWARE



ORDERING INFORMATION  
 3 X 7 CARRIER HOUSING  
 9821-5000



ORDERING INFORMATION  
 PIN STRIP WITH LATCH  
 2402-3505 RC

DESIGN REFERENCE	NEXT ASSEMBLY	REV	ECO	ISSUE DATE AND DESCRIPTION	DRFT	CHKD
				SEP 24, 2020 REVISE ORDERING INFO SHT 2	JNC	FJR
				JAN 03, 2013 REVISED AND REDRAWN	JNC	RS
DATE	DATE	DATE	DATE	DATE	DATE	DATE
C	92908					
B	44714					
DRW	COSTIGLIONE	DATE	MFG	DATE		
CHKD		DATE	APPV	DATE		
			R. SCHERER	JAN 03, 2013		
DIVISION	INTERCONNECT SOLUTIONS	DIVISION CODE	ISD	© 3M COPYRIGHT 2020		
DO NOT SCALE DRAWING	SCALE	TOLERANCES EXCEPT AS NOTED		This document and the information it contains are 3M property and may not be reproduced or further distributed without 3M permission, or used or disclosed other than for 3M authorized purposes. All rights reserved.		
THIRD ANGLE PROJECTION		TOLERANCES EXCEPT AS NOTED		3M™ SHIELDED CONTROLLED IMPEDANCE (SCI) .100" ASSEMBLY HARDWARE		
INTERPRET PER ASME Y14.5 - 2018		TOLERANCES EXCEPT AS NOTED		CAGE NUMBER D78-5100-0802-8		
MAX SURFACE ROUGHNESS		TOLERANCES EXCEPT AS NOTED		DRAWING NO. 78-5100-0802-8		
MARKED ONLY		TOLERANCES EXCEPT AS NOTED		REV. C		
		TOLERANCES EXCEPT AS NOTED		SHT 3 OF 4		

78-5100-0802-8  
 DRAWING NUMBER  
 6  
 Drr-set (hrs)  
 6  
 UTC  
 9/24/2020  
 Time  
 Standard  
 Central  
 Imaged:

# 3M™ SHIELDED CONTROLLED IMPEDANCE (SCI)

.100" ASSEMBLY HARDWARE

**Regulatory:** For regulatory information about this product, visit [3M.com/regs](http://3M.com/regs) or contact your 3M representative.


**Technical Information:** The technical information, recommendations and other statements contained in this document are based upon tests or experience that 3M believes are reliable, but the accuracy or completeness of such information is not guaranteed.

**Product Use:** Many factors beyond 3M's control and uniquely within user's control can affect the use and performance of a 3M product in a particular application. Given the variety of factors that can affect the use and performance of a 3M product, user is solely responsible for evaluating the 3M product and determining whether it is fit for a particular purpose and suitable for user's method of application.

**Warranty, Limited Remedy, and Disclaimer:** Unless an additional warranty is specifically stated on the applicable 3M product packaging or product literature, 3M warrants that each 3M product meets the applicable 3M product specification at the time 3M ships the product. 3M MAKES NO OTHER WARRANTIES OR CONDITIONS, EXPRESS OR IMPLIED, INCLUDING, BUT NOT LIMITED TO, ANY IMPLIED WARRANTY OR CONDITION OF MERCHANTABILITY OR FITNESS FOR A PARTICULAR PURPOSE OR ANY IMPLIED WARRANTY OR CONDITION ARISING OUT OF A COURSE OF DEALING, CUSTOM OR USAGE OR TRADE. If the 3M product does not conform to this warranty, then the sole and exclusive remedy is, at 3M's option, replacement of the 3M product or refund of the purchase price.

**Limitation of Liability:** Except where prohibited by law, 3M will not be liable for any loss or damage arising from the 3M product, whether direct, indirect, special, incidental or consequential, regardless of the legal theory asserted, including warranty, contract, negligence or strict liability.

3M Company  
 Electronics Materials Solutions Division  
 13011 McCallen Pass, Bldg. C  
 Austin, TX 78753-5380  
 1-800-225-5373  
[www.3M.com/interconnect](http://www.3M.com/interconnect)

DESIGN REFERENCE	NEXT ASSEMBLY	REV	ECO	ISSUE DATE AND DESCRIPTION	DRFT	CHKD
OFF	DATE	MFG	DATE			
C	92908	SEP 24, 2020	JNC	FJR		
B	44714	JAN 03, 2013	JNC	RS		
OFF		DATE	DATE			
CASTIGLIONE		JAN 03, 2013				
CHKD	DATE	APPRV	DATE			
		R. SCHERER	JAN 03, 2013			
DIVISION	DIVISION CODE	 © 3M COPYRIGHT 2020 This document and the information it contains are 3M property and may not be reproduced or further distributed without 3M permission, or used or disclosed other than for 3M authorized purposes. All rights reserved.				
Interconnect Solutions	ISD	TITLE <b>3M™ SHIELDED CONTROLLED IMPEDANCE (SCI)</b> .100" ASSEMBLY HARDWARE				
DO NOT SCALE DRAWING	TOLERANCES EXCEPT AS NOTED	CAGE NUMBER <b>D 78-5100-0802-8</b>				
THIRD ANGLE PROJECTION	INCHES	DRAWING NO. <b>78-5100-0802-8</b>				
INTERPRET PER ASME Y14.5 - 2018	MILLIMETERS	REV. SHT 4 OF 4				
MAX SURFACE ROUGHNESS	0 ± 2					
DTX SURFACES	.00 ± .13					
MARKED ONLY	.000 ± .0005					
	ANGLES					

78-5100-0802-8 DRAWING NUMBER  
 9/24/2020 9:24:00 AM  
 Central Standard Time  
 UTC  
 6 hrs  
 6  
 6