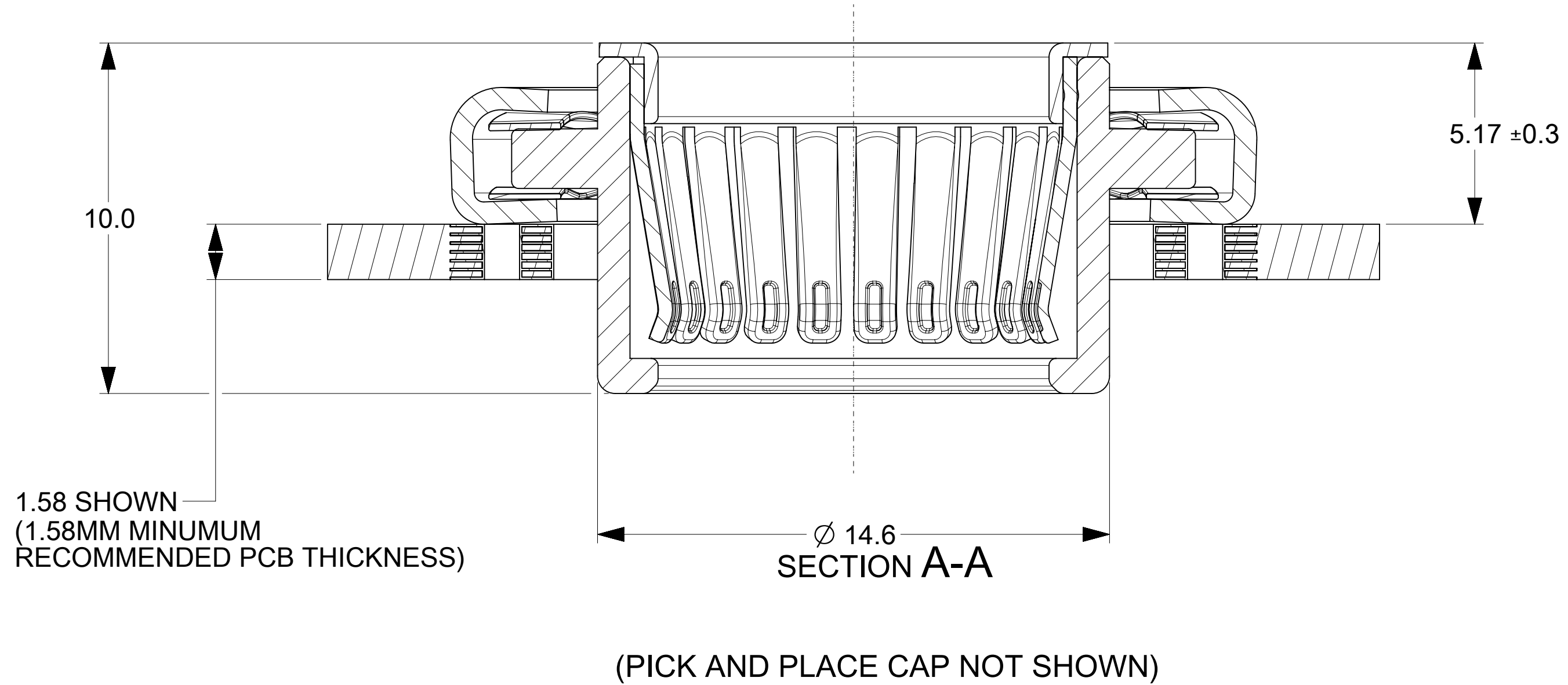
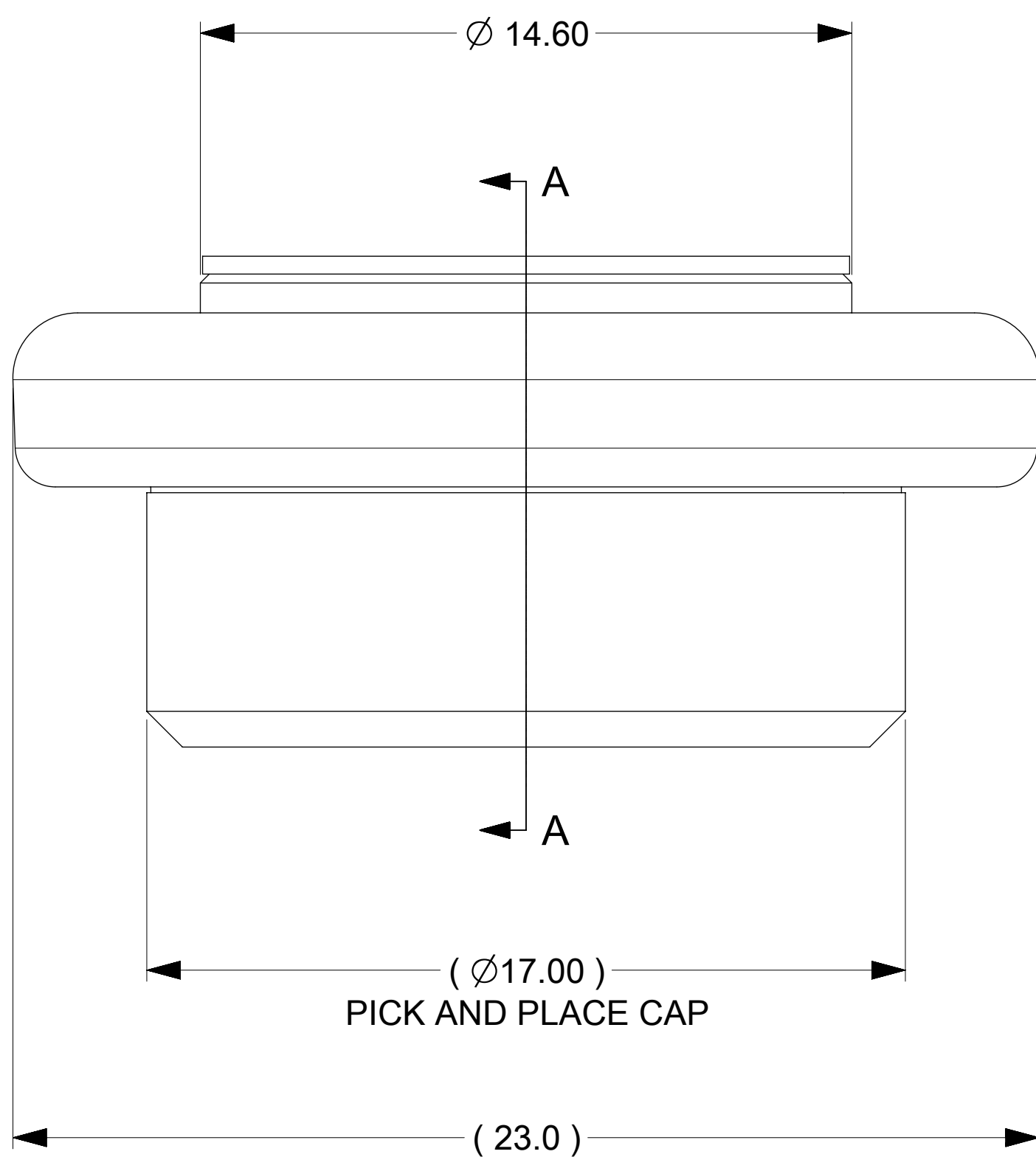


- NOTES:
- MATERIALS:
RETENTION CAP: STAINLESS STEEL
PICK AND PLACE CAP: LCP UL94, V-0 COLOR BLACK
BASE METAL: HIGH CONDUCTIVE COPPER ALLOY
PLATING ON CONTACTS: 0.75 MICRON MIN GOLD OVER 1.27 MICRON MIN NICKEL
PLATING ON BODY: 3.18 MICRON MIN SILVER OVER 1.27 MICRON MIN NICKEL
 - MATES WITH MOLEX 11MM MALE PIN (MATING DISTANCE BASED ON 1.58MM BOARD THICKNESS):
 - 11.0MM SMT MALE PIN DRAWING 213901-0000-SD, MIN. MATING DISTANCE 10.33MM
 - 11.0MM PRESS FIT MALE PIN DRAWING 213900-0000-SD, MIN. MATING DISTANCE 7.33MM
 - 11.0MM SCREW MOUNT MALE PIN DRAWING 213902-0000-SD, MIN. MATING DISTANCE 10.33MM
 - PRODUCT SPECIFICATION: 2138800001-PS
 - APPLICATION SPECIFICATION: 2138800001-AS
SEE APPLICATION SPEC FOR SOLDERING INFORMATION.
 - PACKAGING SPECIFICATION: 2138800001-PK(TAPE AND REEL)
 - SILVER COMPONENTS WILL BE SUPPLIED TARNISH FREE BUT MAY TARNISH OVER TIME.
 - PICK AND PLACE CAP TO BE REMOVED AFTER SOLDERING. CAP TO BE PUSHED OUT OF BOTTOM FROM THE TOP.



THIS DRAWING CONTAINS INFORMATION THAT IS PROPRIETARY TO MOLEX ELECTRONIC TECHNOLOGIES, LLC AND SHOULD NOT BE USED WITHOUT WRITTEN PERMISSION										
DIMENSION UNITS	SCALE	CURRENT REV DESC: UPDATED THE TOLERANCE VALUE AND THE TITILE BLOCK								
mm	NTS									
GENERAL TOLERANCES (UNLESS SPECIFIED)		EC NO: 747243				11.0MM SENTRALITY BOTTOM ENTRY SMT SOCKET WITH FLOAT IN T&R				
ANGULAR TOL	$\pm 0.5^\circ$	DRWN: SOURAJ		2023/02/16		PRODUCT CUSTOMER DRAWING				
4 PLACES	\pm	CHK'D: SCS02		2023/04/25		DOCUMENT NUMBER				
3 PLACES	\pm	APPR: HTHYAGARAJ		2023/04/26		2138800003-SD		DOC TYPE	DOC PART	REVISION
2 PLACES	± 0.15	INITIAL REVISION:				PSD 000 A3				
1 PLACE	± 0.25	DRWN: RALVAREZ02		2021/02/19						
0 PLACES	\pm	APPR: BPISZCZOR		2021/10/04						
DRAFT WHERE APPLICABLE MUST REMAIN WITHIN DIMENSIONS		THIRD ANGLE PROJECTION	DRAWING	SERIES	MATERIAL NUMBER	CUSTOMER	SHEET NUMBER			
			D-SIZE	213880	2138800003	GENERAL MARKET	1 OF 1			