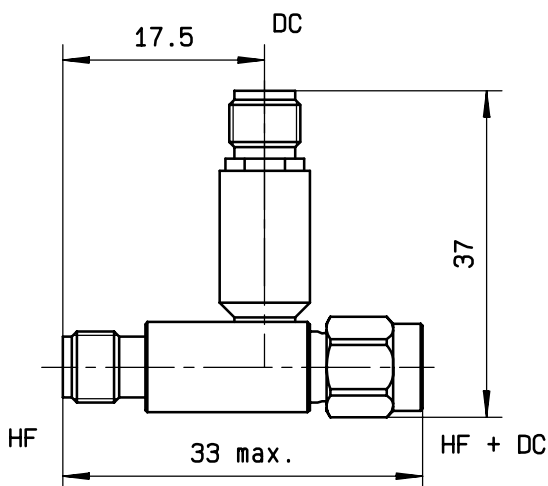


1.5- 6 GHz SMA MONITOR TEE

issue
24. apr. 95

Page
1 / 1

DRAWING



General tolerances: +/- 0.5 mm

R F CHARACTERISTICS

FREQUENCY RANGE : 1.5 - 6 GHz
 IMPEDANCE : 50 Ohms

FREQUENCY	1.5 - 4 GHz	4 - 6 GHz
V.S.W.R	<= 1.20	<= 1.20
INSERTION LOSS	<= 0.20 dB	<= 0.40 dB
REJECTION ATT	>= 35 dB	>= 45 dB

DC RESISTANCE OF INDUCTANCE : 0.15 Ohms
 MAXIMUM DC CURRENT : 250 mA
 MAXIMUM DC VOLTAGE : 100 V
 TYPICAL CAPACITANCE : 10 pF
 AVERAGE POWER at 25°C : 10 W

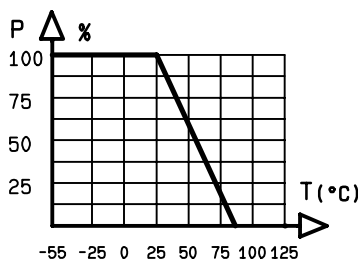
MECHANICAL CHARACTERISTICS

CONNECTORS : SMA male/female per MIL-C 39012
 WEIGHT : < 15 g

ENVIRONMENTAL CHARACTERISTICS

OPERATING TEMPERATURE RANGE (°C) : -40 , +85
 STORAGE TEMPERATURE RANGE (°C) : -40 , +85

Power derating
Versus temperature



This information is given as an indication. In the continual goal to improve our products, we reserve the right to make any modifications judged necessary

QUALITY
Dpt app. _____

CREATION
 PEN : CAT
 EP : -----
 Nom : AB
 Date : 24. apr. 95

ISSUE

REVISIONS

NAME

RADIALL®

101. Philibert Hoffmann | Phone: 33.1.49353535
 - Z.I Ouest - | Fax : 33.1.48546363
 93116 ROSNY/BOIS Cedex-FRANCE | Tlx RADIA 235220F