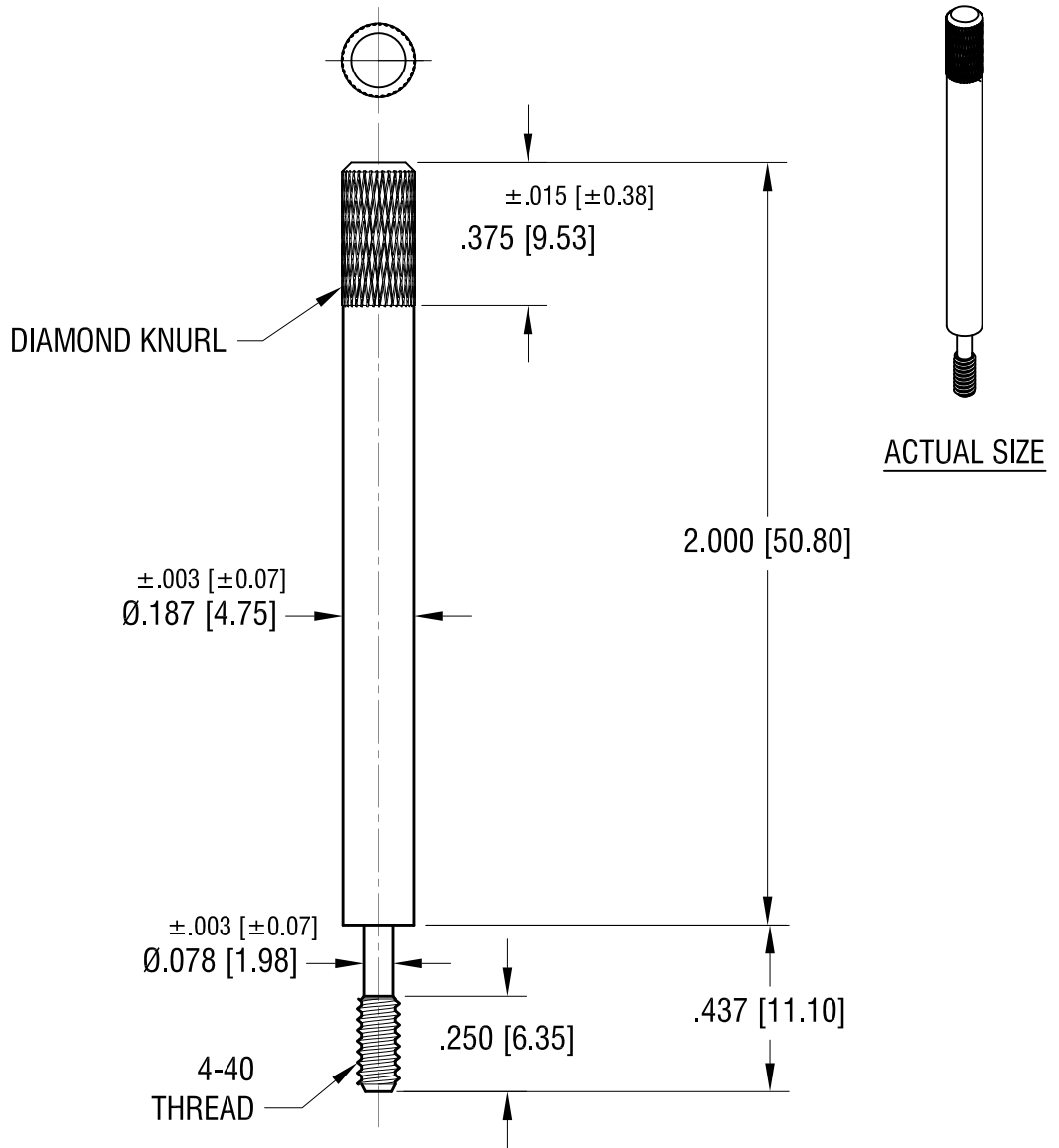


THIS DOCUMENT IS THE PROPERTY OF
KEYSTONE ELECTRONICS CORP. AND
SHALL NOT BE REPRODUCED, DISTRIBUTED
OR USED AS A BASIS FOR MANUFACTURE
WITHOUT PRIOR WRITTEN PERMISSION
FROM KEYSTONE ELECTRONICS CORP.



KEYSTONE ELECTRONICS CORP.

www.keyelco.com • NEW HYDE PARK NY 11040 • Tel (516)328-7500

PART NAME
JACK SCREW, TURNABLE

MATERIAL
STEEL

FINISH BLACK OXIDE	DRN BY BOONE	DATE 2.06.91
	APP'D RH	SCALE 2X

TOLERANCES DECIMAL ANGULAR UNLESS OTHERWISE SPECIFIED	INCH [MM] $\pm .010$ [± 0.25] $\pm 1^\circ$	CODE C	DWG NO. 2066
--	---	------------------	------------------------

12.18.23	CHANGE AS PER ECN 23-316	C
1.3.00	CHANGED AS PER ECN 00-001	B
12.30.98	ECR 98-096 FIN. WAS BLK ZINC	A
DATE	DESCRIPTION	REV.