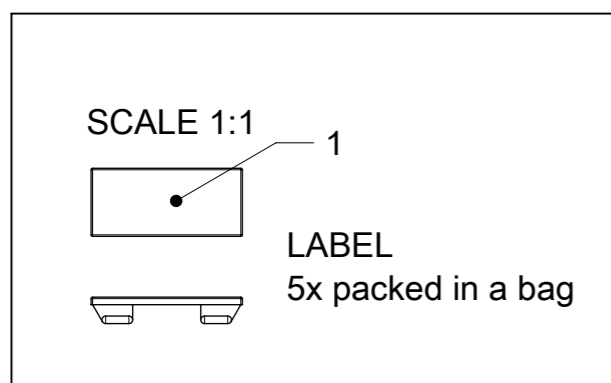
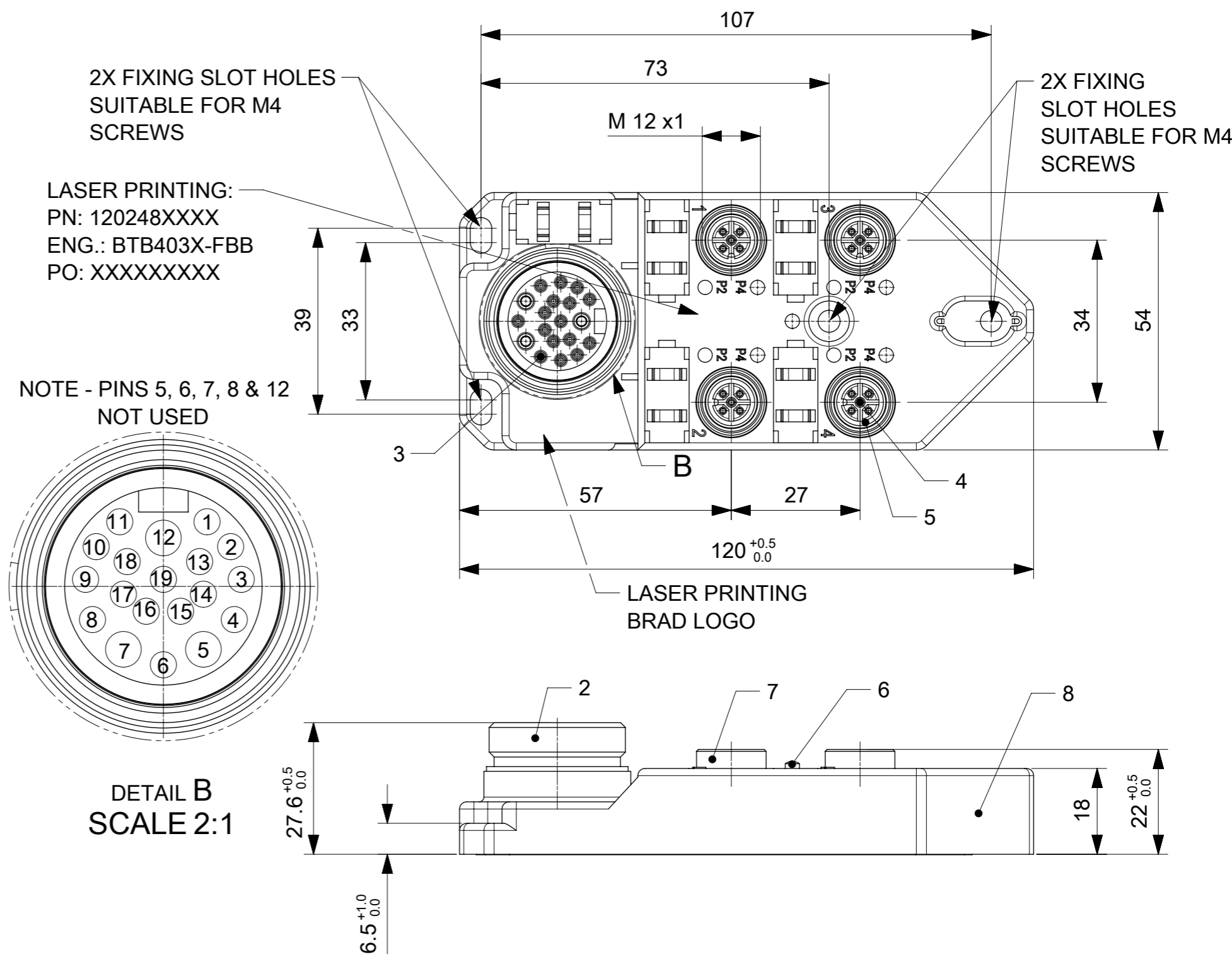


TABLE 1

MOLEX P/N	ENG. NO.	LED
1202480076	BTB4030-FBB	NO
1202480077	BTB403P-FBB	YES
1202480078	BTB403N-FBB	YES

TABLE 2 BILL OF MATERIAL

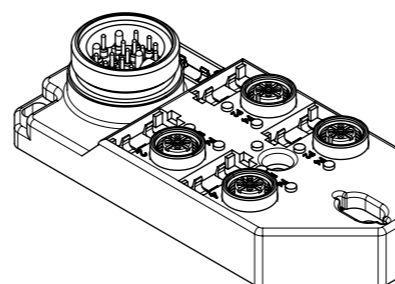
ITEM	DESCRIPTION	MATERIAL	FINISH
1	LABEL	ABS	WHITE
2	SHELL	BRASS	NICKEL PLATED
3	CONTACT	BRASS	GOLD OVER NICKEL
4	CONTACT	BRONZE	GOLD OVER NICKEL
5	O-RING	FPM	RED
6	LED	NO LED = PA	BLACK
		WITH LED = PA	TRANSPARENT
7	SHELL	BRASS	NICKEL PLATED
8	HOUSING	PBT	BLACK



GENERAL CHARACTERISTICS:

ELECTRICAL AND MECHANICAL DATA ACC. TO IEC 61076-2-101

NOMINAL VOLTAGE: 10-30 V DC
 AMPERE RATING: 4 A PER PORT / 12 A MAX
 AMPERE RATING WITH UL REGISTRATION: 3 A PER PORT / 9 A MAX
 IP DEGREE OF PROTECTION: IP 67
 TEMPERATURE RANGE: -25°C to + 85°C



SCALE 1:2

SYMBOLS		THIS DRAWING CONTAINS INFORMATION THAT IS PROPRIETARY TO MOLEX ELECTRONIC TECHNOLOGIES, LLC AND SHOULD NOT BE USED WITHOUT WRITTEN PERMISSION	
DIMENSION UNITS	SCALE	CURRENT REV DESC:	ADDED
mm		EC NO:	606042
GENERAL TOLERANCES (UNLESS SPECIFIED)		DRWN:	MDHARMANTI 2018/08/31
ANGULAR TOL	± °	CHK'D:	RSILLER 2018/10/18
4 PLACES	±	APPR:	RSILLER 2018/10/18
3 PLACES	±	INITIAL REVISION:	
2 PLACES	±	DRWN:	ULETTENMEIER 2016/04/18
1 PLACE	±	APPR:	RSILLER 2017/01/18
0 PLACES	± 0.25	DRAFT WHERE APPLICABLE MUST REMAIN WITHIN DIMENSIONS	
THIRD ANGLE PROJECTION		DRAWING	A3-SIZE
SERIES	120248	MATERIAL NUMBER	SEE TABLE 1
CUSTOMER	GENERAL MARKET	DOC TYPE	PSD
SHEET NUMBER	1 OF 2	DOC PART	000
		REVISION	B

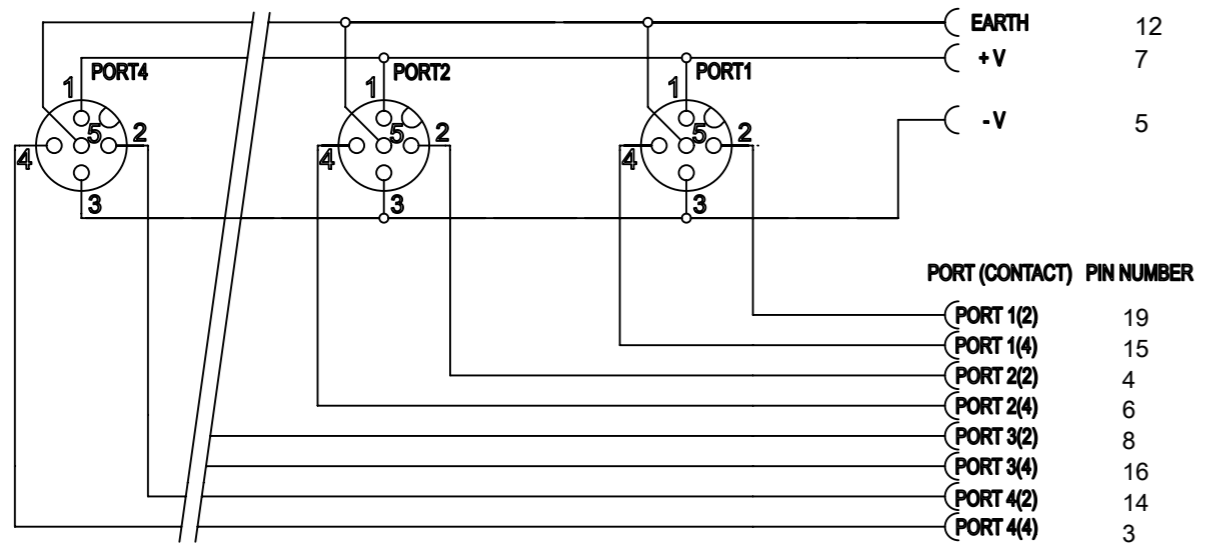


MPIS M12 PNP NPN NOS 5P 4PT 19P MC BK STA DUAL

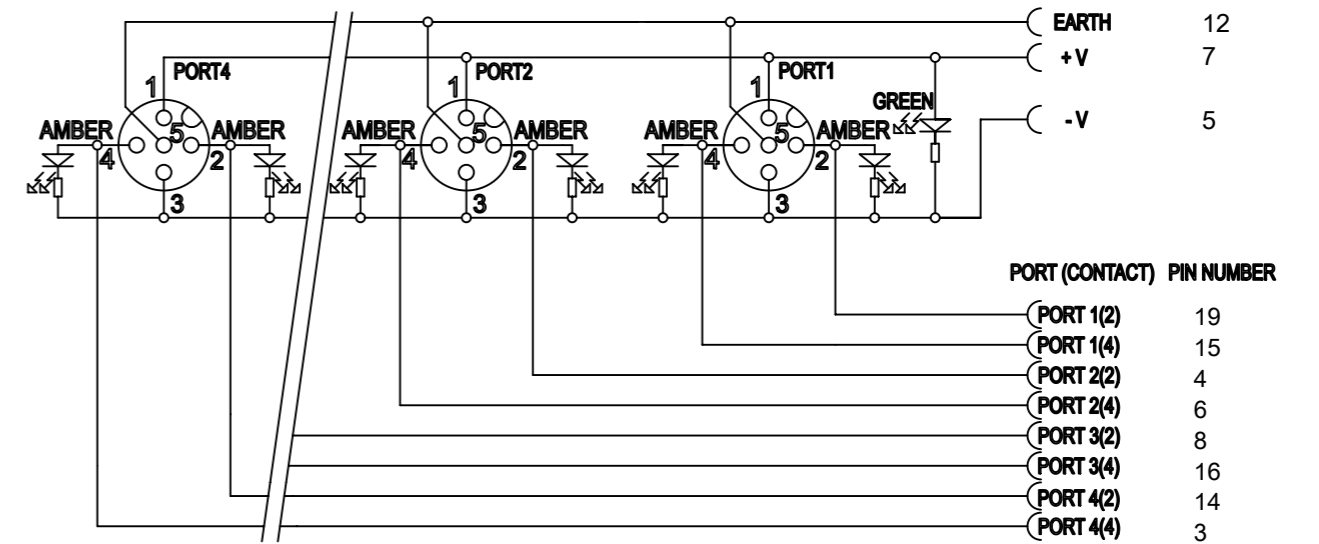
PRODUCT CUSTOMER DRAWING

DOCUMENT NUMBER 1202480076

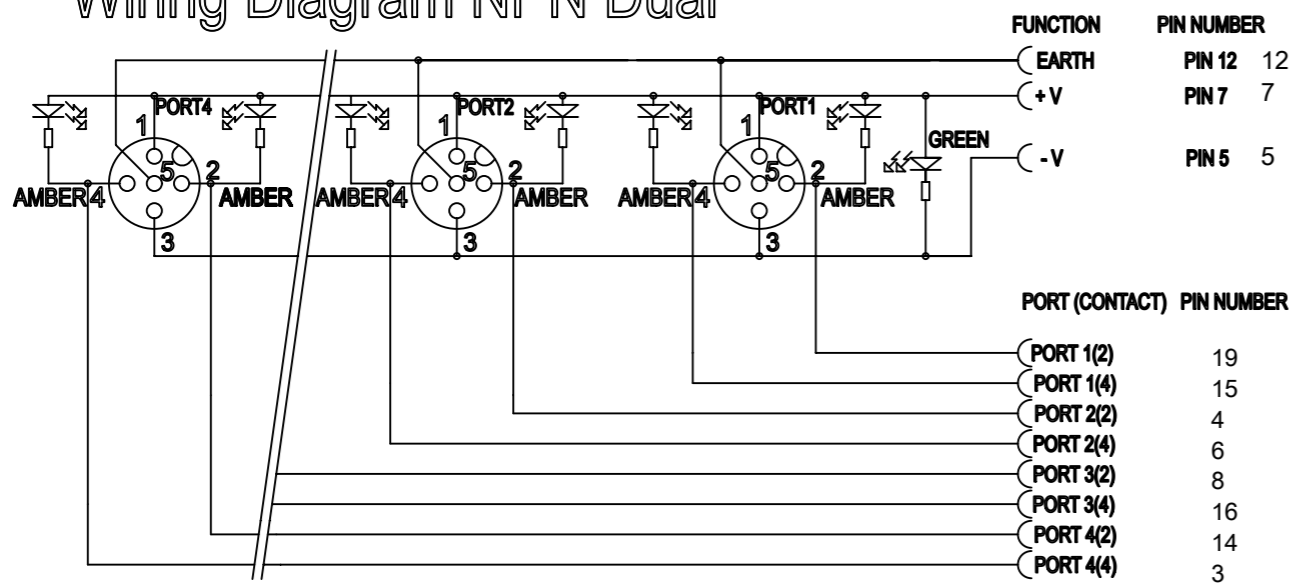
Wiring Diagram NON LED



Wiring Diagram PNP



Wiring Diagram NPN Dual



SYMBOLS DIMENSION UNITS: mm SCALE: 1:1 GENERAL TOLERANCES (UNLESS SPECIFIED): ANGULAR TOL: ± 0.5° 4 PLACES: ± 0.025 3 PLACES: ± 0.015 2 PLACES: ± 0.010 1 PLACE: ± 0.005 0 PLACES: ± 0.25 DRAFT WHERE APPLICABLE MUST REMAIN WITHIN DIMENSIONS	THIS DRAWING CONTAINS INFORMATION THAT IS PROPRIETARY TO MOLEX ELECTRONIC TECHNOLOGIES, LLC AND SHOULD NOT BE USED WITHOUT WRITTEN PERMISSION	CURRENT REV DESC: LASER PRINTING ADDED	
	EC NO: 606042 DRWN: MDHARMANTI 2018/08/31 CHK'D: RSILLER 2018/10/18 APPR: RSILLER 2018/10/18	MPIS M12 PNP NPN NOS 5P 4PT 19P MC BK STA DUAL	
	INITIAL REVISION: DRWN: ULETENMEIER 2016/04/18 APPR: RSILLER 2017/01/18	PRODUCT CUSTOMER DRAWING	DOCUMENT NUMBER: 1202480076 DOC TYPE: PSD DOC PART: 000 REVISION: B
	THIRD ANGLE PROJECTION:	DRAWING: A3-SIZE SERIES: 120248 MATERIAL NUMBER: SEE TABLE 1 CUSTOMER: GENERAL MARKET SHEET NUMBER: 2 OF 2	