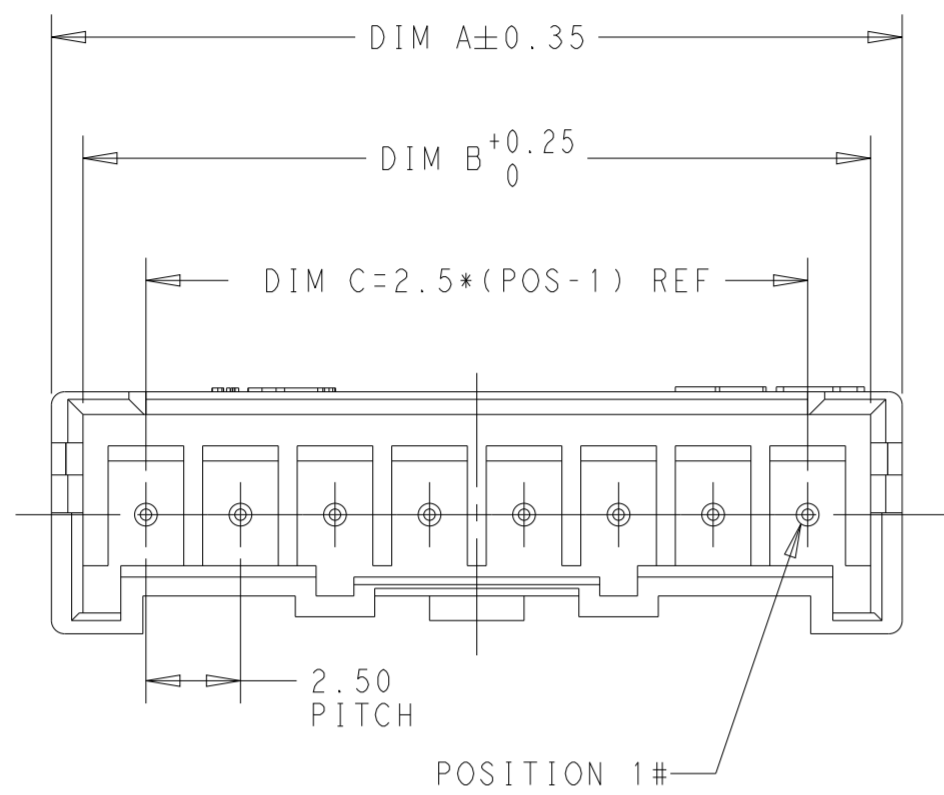
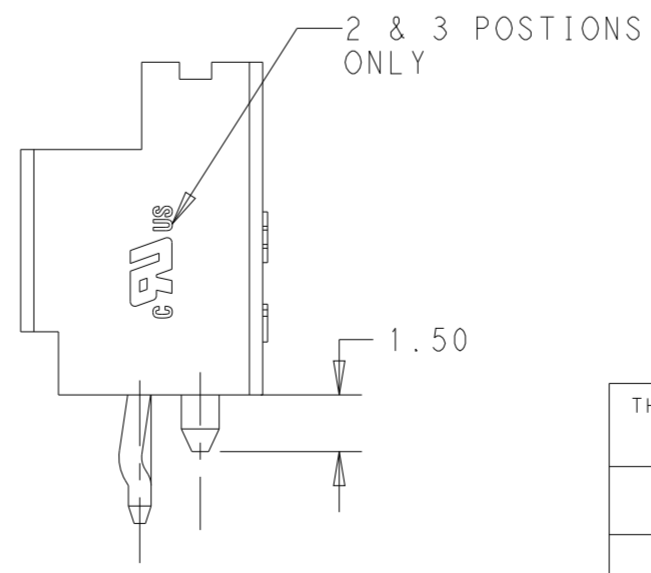
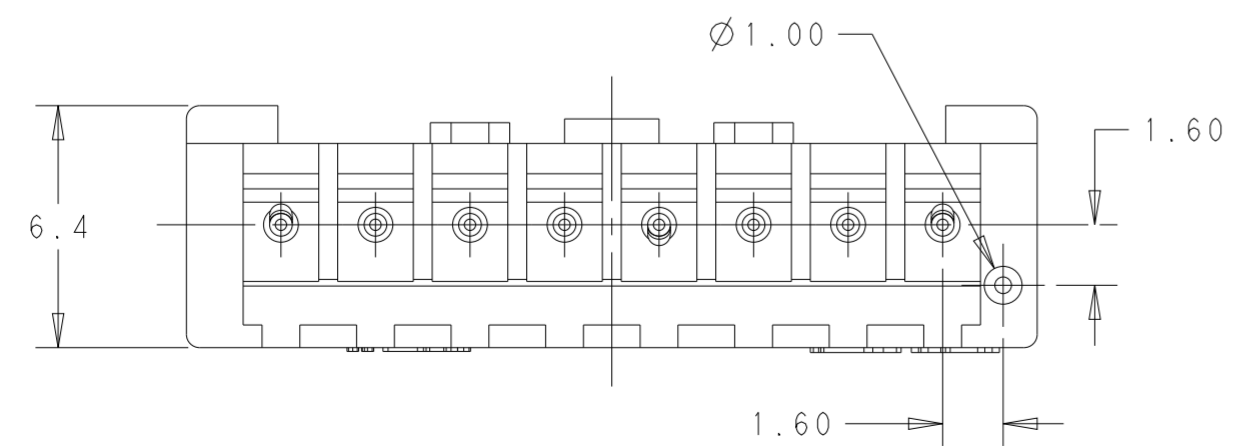
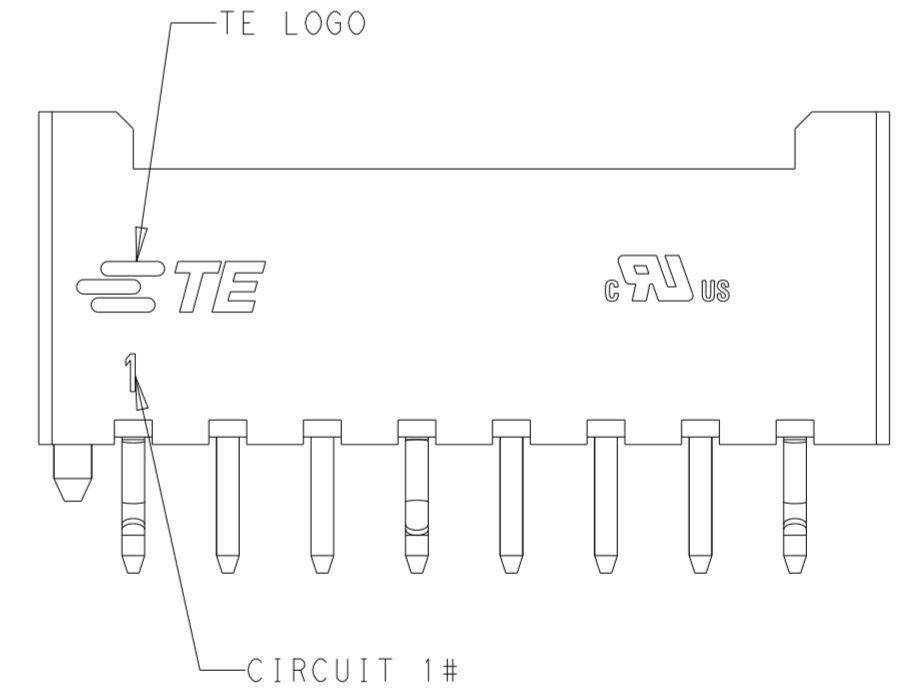
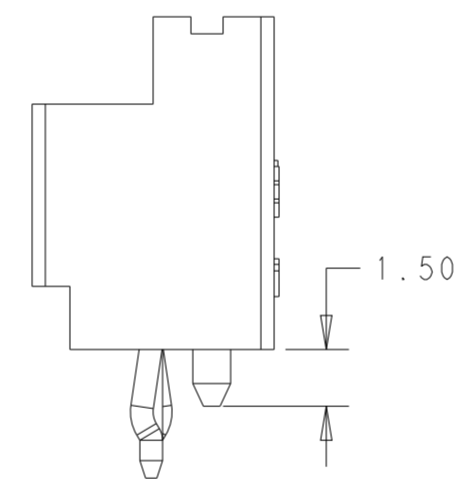
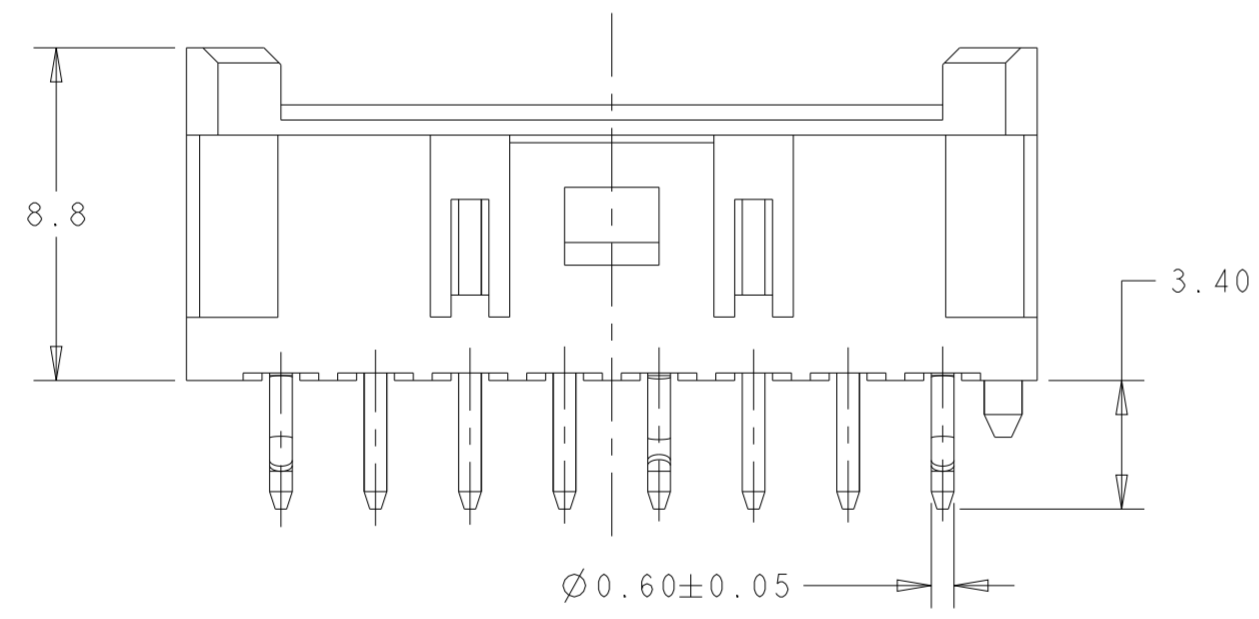


THIS DRAWING IS UNPUBLISHED. RELEASED FOR PUBLICATION  
 © COPYRIGHT copyright dbte- ALL RIGHTS RESERVED.

REVISIONS				
P	LTR	DESCRIPTION	DATE	APVD
A		REVISED PER ECN-22-148334	08APR2022	W.H L.C
A1		REVISED PER ECR-22-136510	25MAY2022	N.H L.C



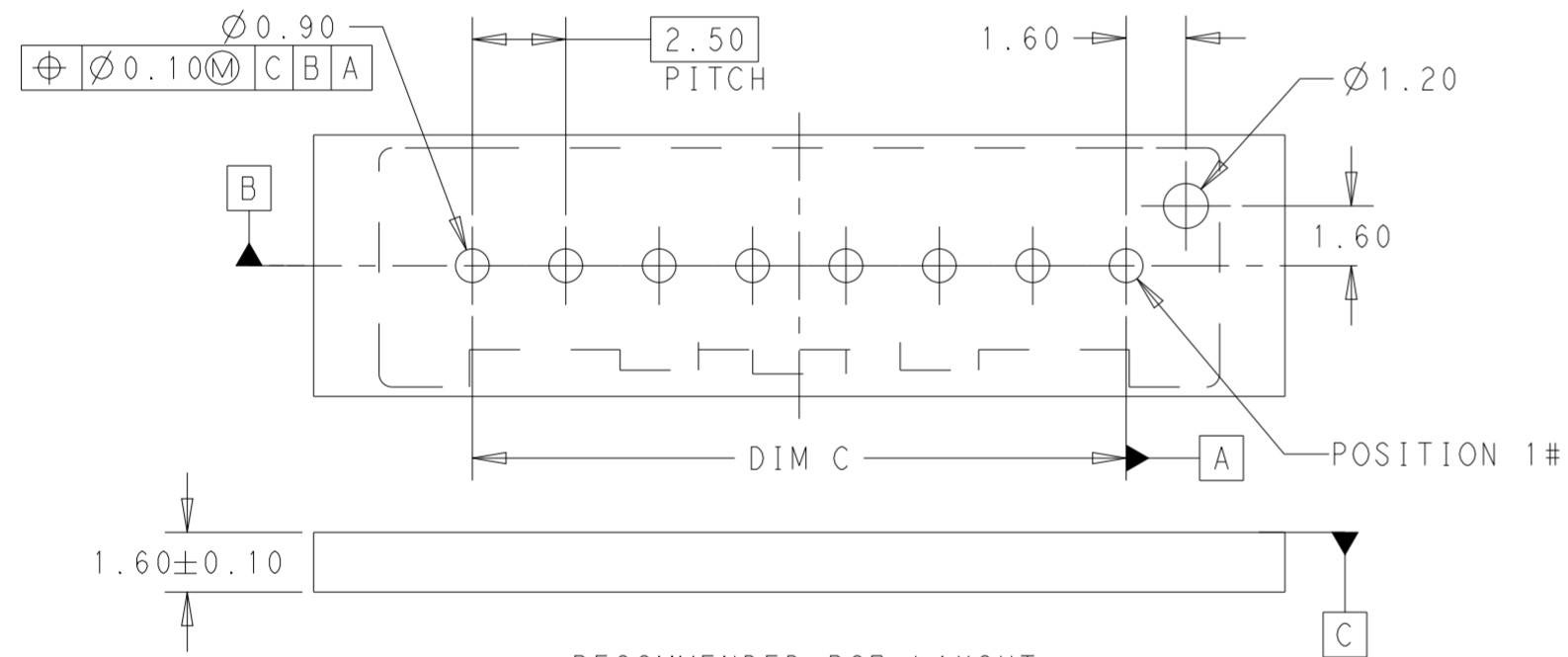
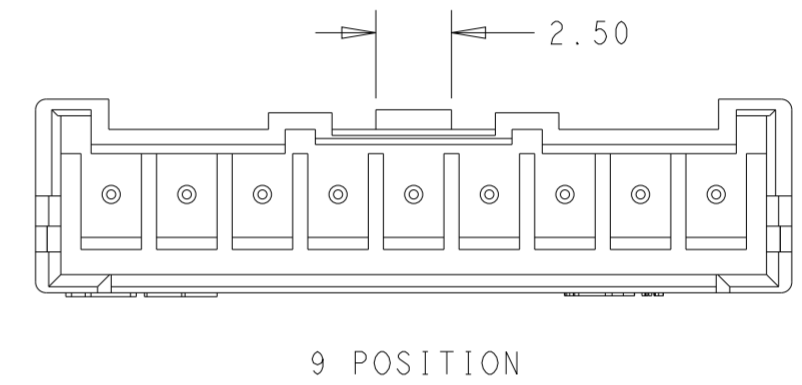
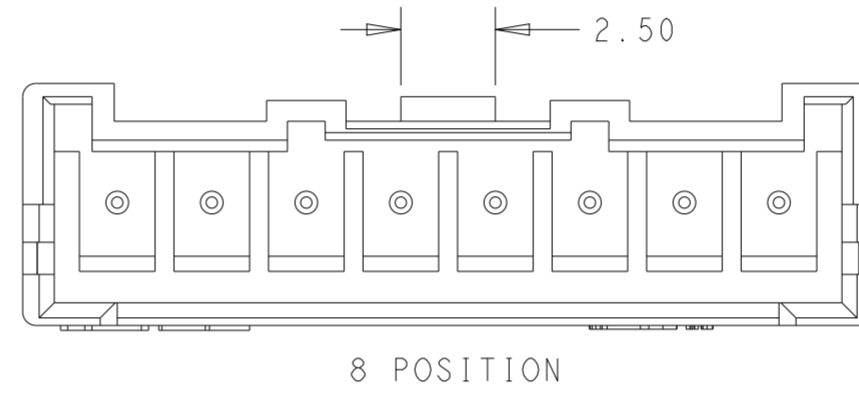
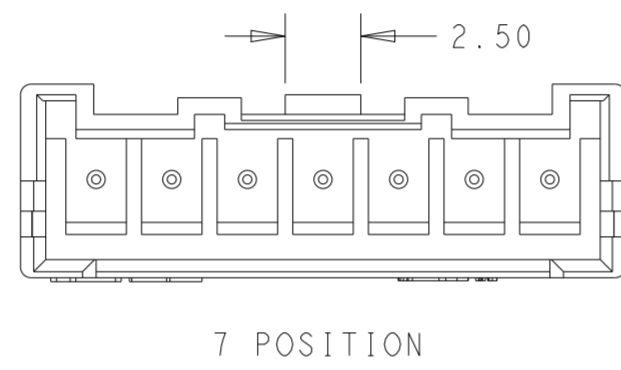
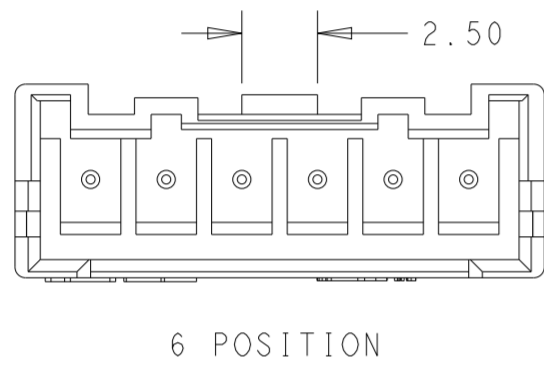
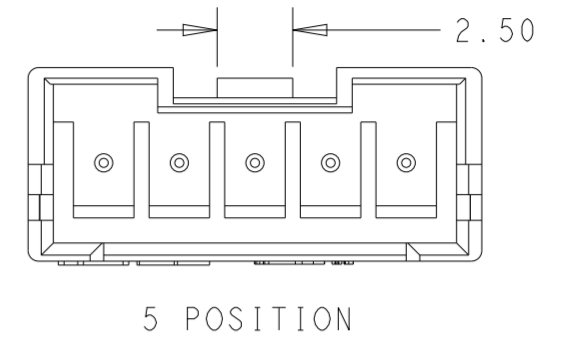
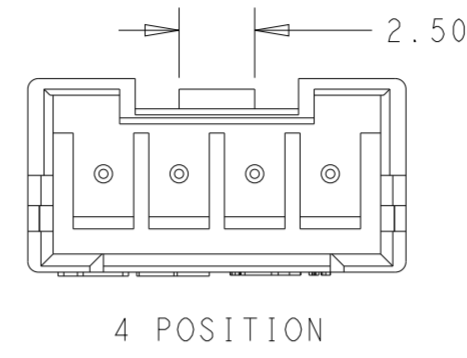
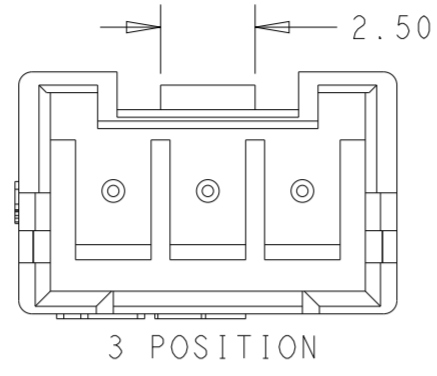
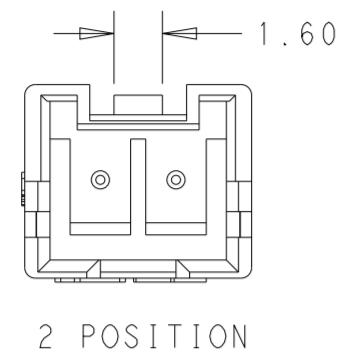
- 1 MATERIAL:  
HOUSING: PBT, UL94-V0 COLOR: NATURAL  
PIN CONTACT: COPPER ALLOY, 2.0µm MIN TIN OVER 1.25µm MIN NICKEL OVERALL.
- 2. DIMENSIONS SHOWN REPRESENT PRODUCT IN DRY, AS MOLDED, CONDITION. ADDITIONAL 2% GROWTH DUE TO SUBSEQUENT MOISTURE ABSORPTION MAY OCCUR AND SHOULD BE ACCOUNTED FOR.
- 3 CONTACT SOLDER TAIL KINK DIRECTION (BOARD LOCK) SEE PAGE 2.
- 4. RECOMMENDED MATING PART: 1744417-[ ]
- 5. PACKAGING: LOOSE PIECE.
- 6. PER IEC 60335-1 SECT. 30, GWEPT 750C, NO FLAME or Te-Ti ≤ 2S.
- 7. HIGH TEMPERATURE VERSION, MEET HEAT RESISTANCE FOR SOLDERING TEMPERATURE 260~265°C, DURATION 5 +2/-0 Sec.



THIS DRAWING IS A CONTROLLED DOCUMENT.		DWN W. HUO	06DEC2021	TE Connectivity	
DIMENSIONS: mm		CHK L. CHEN	07DEC2021		
TOLERANCES UNLESS OTHERWISE SPECIFIED:		APVD D. ZHANG	08DEC2021	NAME HEADER ASSEMBLY, VERTICAL GLOW WIRE, WITH BOSS, EP2.5	
0 PLC ±		PRODUCT SPEC		SIZE	
1 PLC ±0.30		108-2418		CAGE CODE	
2 PLC ±0.20		APPLICATION SPEC		DRAWING NO	
3 PLC ±		114-13315		RESTRICTED TO	
4 PLC ±		WEIGHT		A200779	
ANGLES ±3°		CUSTOMER DRAWING		SCALE 5:1	
FINISH		SHEET 1 OF 2		REV A1	

THIS DRAWING IS UNPUBLISHED. RELEASED FOR PUBLICATION  
 © COPYRIGHT copyright.d8te ALL RIGHTS RESERVED.

REVISIONS				
P	LTR	DESCRIPTION	DATE	APVD
-		SEE SHEET 1	-	-



● : KINKED PIN ○ : NO KINK							●	●	2P	
							●	○	●	3P
					●	○	○	○	●	4P
				●	○	○	○	○	●	5P
			●	○	○	○	○	○	●	6P
		●	○	○	○	○	○	○	●	7P
	●	○	○	○	○	○	○	○	●	8P
	●	○	○	○	○	○	○	○	●	9P
		9	8	7	6	5	4	3	2	1

20.0	23.33	25.0	9	2404280-9
17.5	20.83	22.5	8	2404280-8
15.0	18.33	20.0	7	2404280-7
12.5	15.83	17.5	6	2404280-6
10.0	13.33	15.0	5	2404280-5
7.5	10.83	12.5	4	2404280-4
5.0	8.33	10.0	3	2404280-3
2.5	5.83	7.5	2	2404280-2
DIM C	DIM B	DIM A	POS	PART NO

THIS DRAWING IS A CONTROLLED DOCUMENT.

DIMENSIONS: mm	TOLERANCES UNLESS OTHERWISE SPECIFIED:	DWN: W. HUO 06DEC2021	TE Connectivity NAME: HEADER ASSEMBLY, VERTICAL GLOW WIRE, WITH BOSS, EP2.5
	0 PLC ±-	CHK: L. CHEN 07DEC2021	
	1 PLC ±0.30	APVD: D. ZHANG 08DEC2021	
	2 PLC ±0.20	PRODUCT SPEC: 108-2418	
MATERIAL:	3 PLC ±-	APPLICATION SPEC: 114-13315	SIZE: A2
	4 PLC ±-	WEIGHT: -	CAGE CODE: 00779
	ANGLES: ±3°	CUSTOMER DRAWING	DRAWING NO: C-2404280
	FINISH: -	SCALE: N/A	SHEET: 2 OF 2
			REV: A1