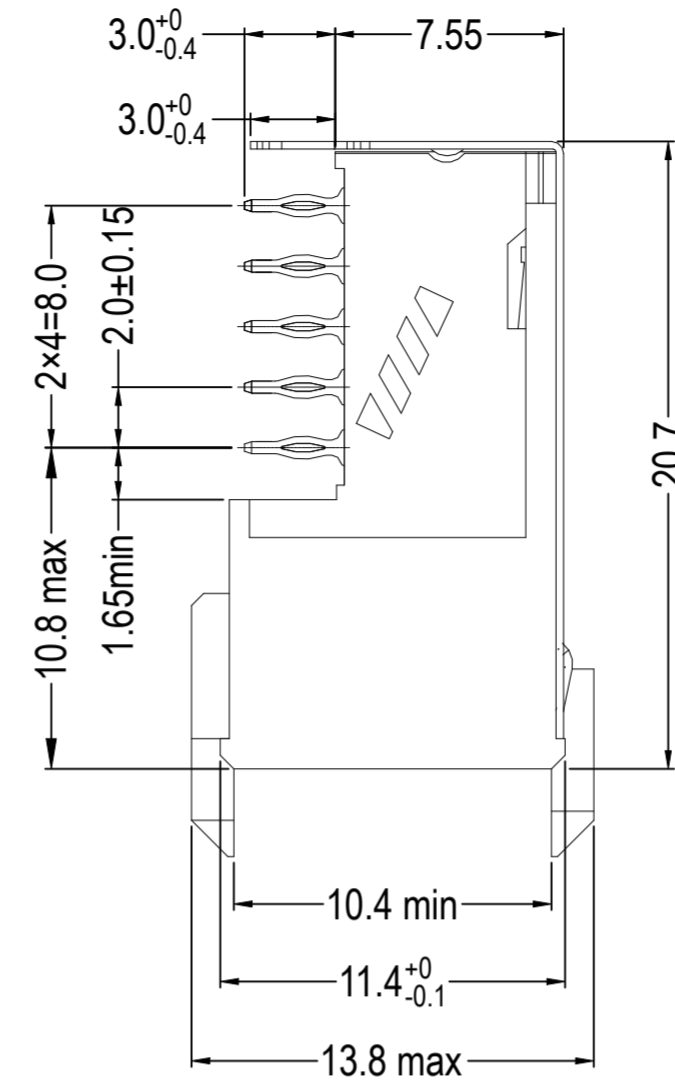
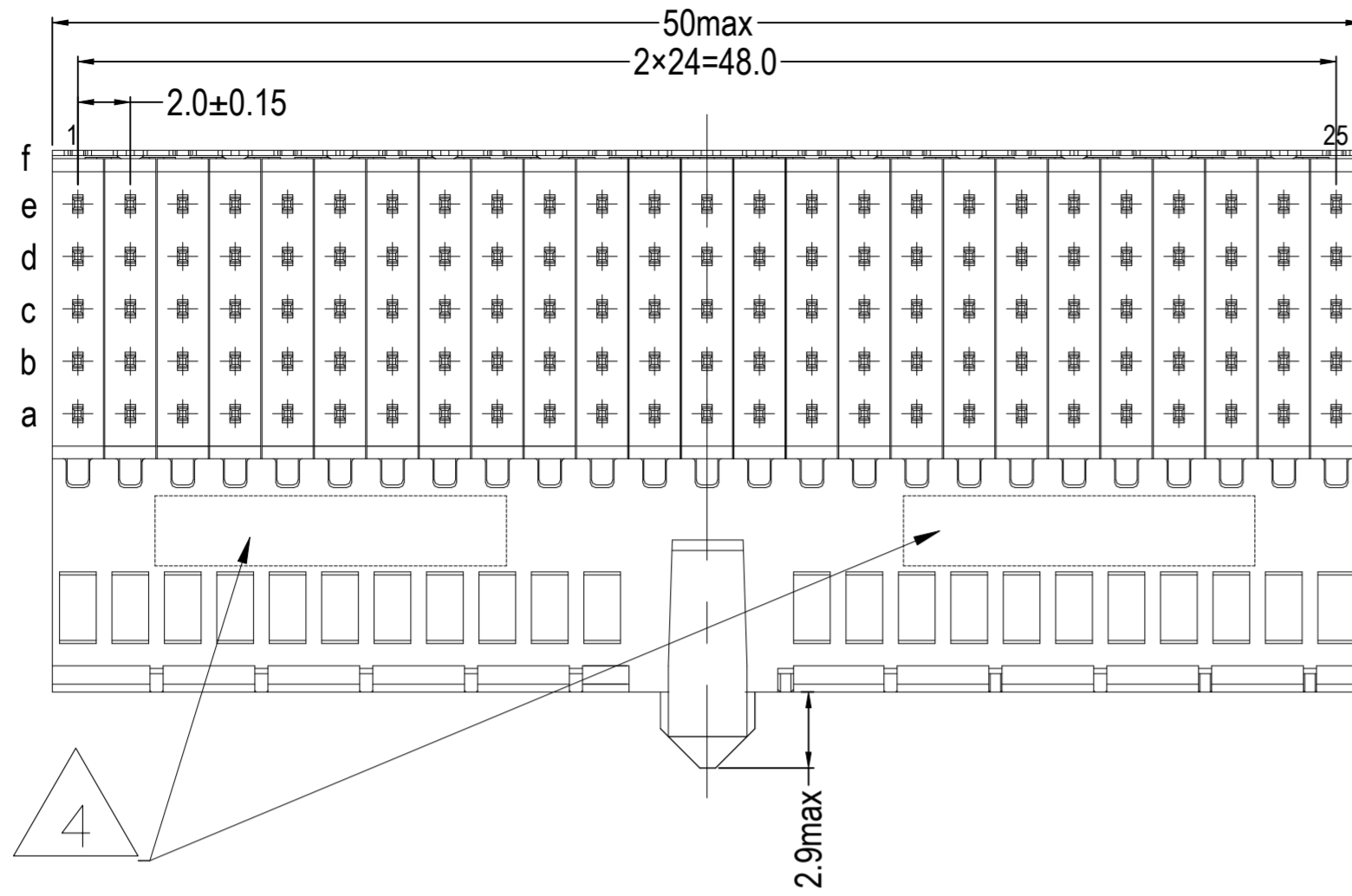
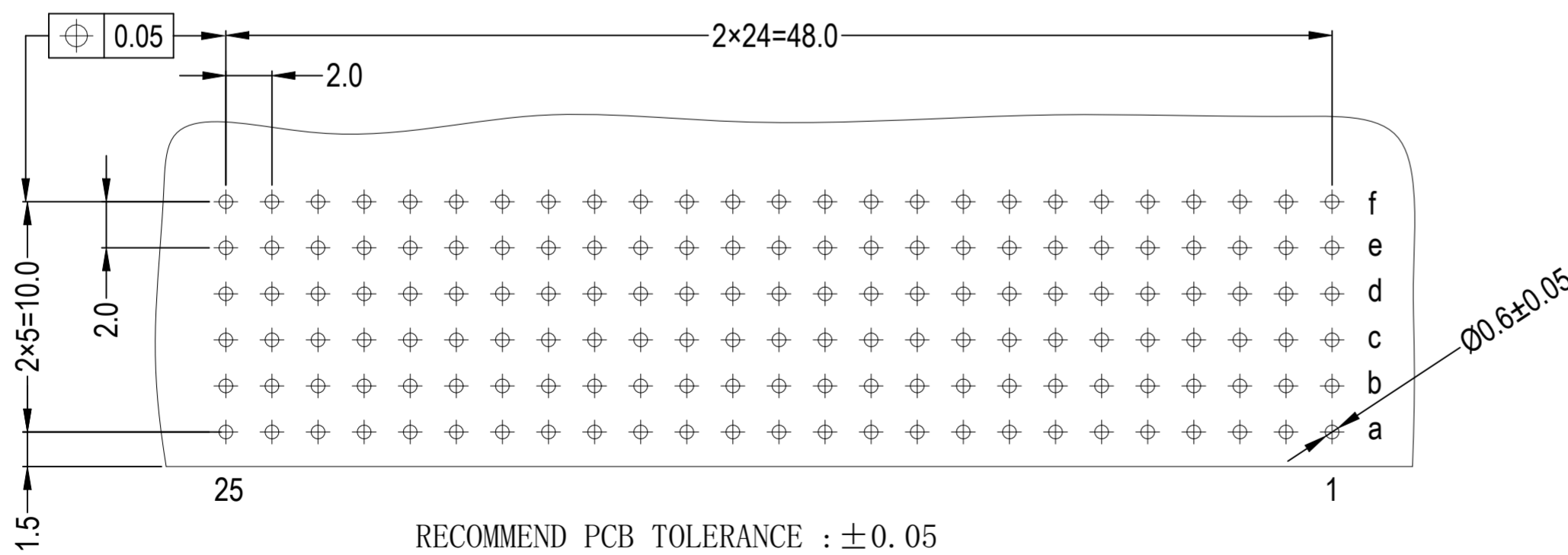
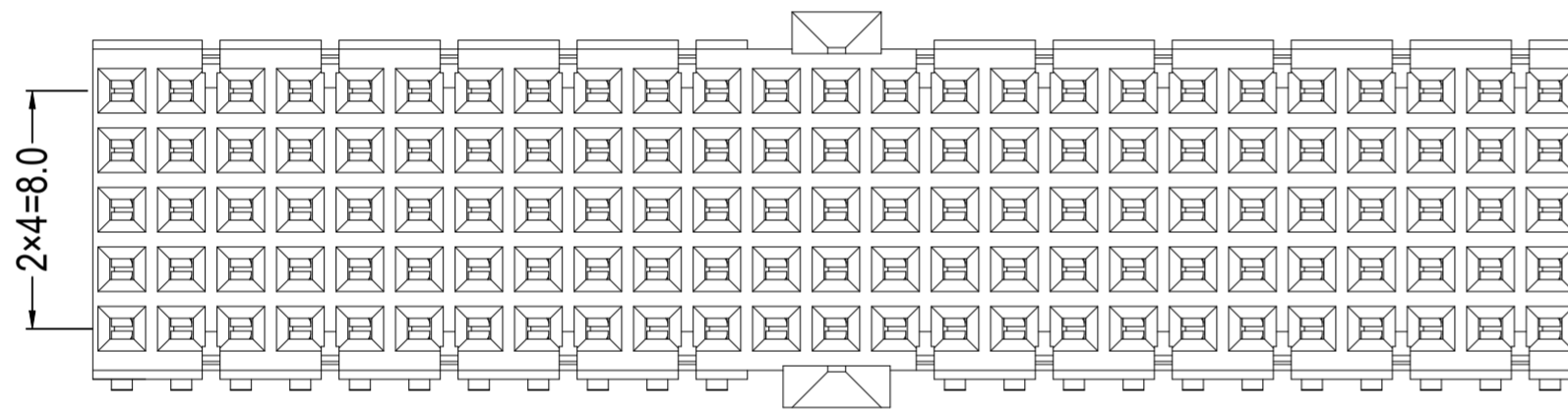


REVISIONS					
P	LTR	DESCRIPTION	DATE	DWN	APVD
A		INITIAL DRAWING	18OCT2021	TL	HL



NOTES:

- ⚠ MATERIAL CONTACTS; COPPER ALLOY
MATERIAL HOUSING; GLASSFILLED POLYESTER
- ⚠ GENERAL PLATING SPECIFICATION: UNDERPLATING (ENTIRE CONTACT):
1,27µm NICKEL MIN. AND EON PIN: 0,5µm TIN MIN.
FOR PLATING OF MATING SURFACES SEE APPLICABLE SPECIFICATION
REFERENCE FOR EACH DASH NUMBER.
- ⚠ CONFORMS TO ALL TESTING ACCORDING IEC 61076-4-101
PERFORMANCE LEVEL 2.
- ⚠ ASSEMBLY PRINTED WITH P/N AND DATECODE



FINISH		MATERIAL		PART NUMBER	
23		↑		2392865-1	
THIS DRAWING IS A CONTROLLED DOCUMENT.		DWN TONY LI 28MAY2021		TE Connectivity Ltd.	
DIMENSIONS: mm		CHK ALEX XU 28MAY2021		NAME	
TOLERANCES UNLESS OTHERWISE SPECIFIED:		APVD HOPE LU 28MAY2021		Z-PACK 2mm HM WITH UPPER SHIELD	
0-PLC ±		PRODUCT SPEC		TYPE A/B - 25 COLUMNS	
1-PLC ±		APPLICATION SPEC		RECEPTACLE ,EON	
2-PLC ± ±0.2		108-19082		SIZE CAGE CODE DRAWING NO	
3-PLC ±		114-160149		A2 00779 C=2392865	
4-PLC ±		WEIGHT 0		RESTRICTED TO	
ANGLES ±		CUSTOMER DRAWING		-	
FINISH		SCALE 5:1		SHEET 1 of 1	
		REV A			