

# SUBCON-PLUS-CAN/90/PG/M12 - D-SUB bus connector



2902322

<https://www.phoenixcontact.com/us/products/2902322>

Please be informed that the data shown in this PDF document is generated from our online catalog. Please find the complete data in the user documentation. Our general terms of use for downloads are valid.

D-SUB connector, 9-pos., socket, with Pg-D-SUB pin, assignment: 2, 3, 5, 7; 9; two M12 cable entries (A-coded) under 90°. Bus system: CAN, CANopen®. Termination resistor via separate M12 terminator.



## Product description

The SUBCON-PLUS fast connectors with M12 connection ensure error-free installation of bus systems, thanks to the use of fully-tested components such as cables and connectors. The innovative housing concept is lightweight yet offers optimum mechanical protection against environmental influences. This means that the fast connection plugs are ideal, even in applications subject to vibration. The unique SPEEDCON fast locking system on the M12 connections offers reliable connection with just half a turn.

## Your advantages

- Easy startup, plug and play
- Error-free installation, particularly in standard machine production
- Quick connection thanks to M12-SPEEDCON fast locking system
- Low weight
- CANopen®
- Termination using M12 termination resistor
- Version with programming connection
- Adapter between IP20 and IP67 environments
- Through-contacted shielding from M12 to D-SUB

## Commercial data

Item number	2902322
Packing unit	1 pc
Minimum order quantity	1 pc
Product key	DNC541
Catalog page	Page 445 (C-6-2019)
GTIN	4046356655040
Weight per piece (including packing)	72.3 g
Weight per piece (excluding packing)	71.8 g
Country of origin	CN

# SUBCON-PLUS-CAN/90/PG/M12 - D-SUB bus connector



2902322

<https://www.phoenixcontact.com/us/products/2902322>

## Technical data

### Product properties

Product type	Data plug
MTTF	6706 Years (SN 29500 standard, temperature 25°C, operating cycle 21%)
	1817 Years (SN 29500 standard, temperature 40°C, operating cycle 34.25%)
	155 Years (SN 29500 standard, temperature 40°C, operating cycle 100%)
Pin assignment	2, 3, 5, 7, 9

### Electrical properties

Nominal voltage $U_N$	5 V
Nominal current $I_N$	100 mA

### Connection data

Tightening torque	... 0.4 Nm
-------------------	------------

#### D-SUB connection

Connection method	D-SUB socket
-------------------	--------------

#### Programming connection

Connection method	D-SUB connector
-------------------	-----------------

#### M12 connector

Connection method	M12 male, A-coded
-------------------	-------------------

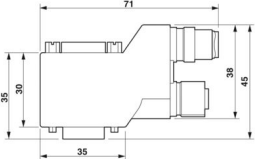
#### M12 connector

Connection method	M12 female, A-coded
-------------------	---------------------

### Interfaces

Bus system	CAN, CANopen, SafetyBus-P
Signal	CAN
	CANopen®

### Dimensions

Dimensional drawing	
Width	16 mm
Height	40 mm
Length	71 mm

# SUBCON-PLUS-CAN/90/PG/M12 - D-SUB bus connector



2902322

<https://www.phoenixcontact.com/us/products/2902322>

## Material specifications

Material (Housing)	Polyamide
--------------------	-----------

## Environmental and real-life conditions

### Ambient conditions

Degree of protection	IP40
Ambient temperature (operation)	-30 °C ... 80 °C
Ambient temperature (storage/transport)	-40 °C ... 85 °C
Ambient temperature (assembly)	-20 °C ... 80 °C
Altitude	≤ 5000 m (For restrictions, see the manufacturer's declaration for altitude operation)
Permissible humidity (operation)	10 % ... 95 % (non-condensing)
Permissible humidity (storage/transport)	5 % ... 95 % (non-condensing)

## Standards and regulations

Free from substances that could impair the application of coating	in accordance with VW-AUDI-Seat central standard P-VW 3.10.7 57 65 0
---	--

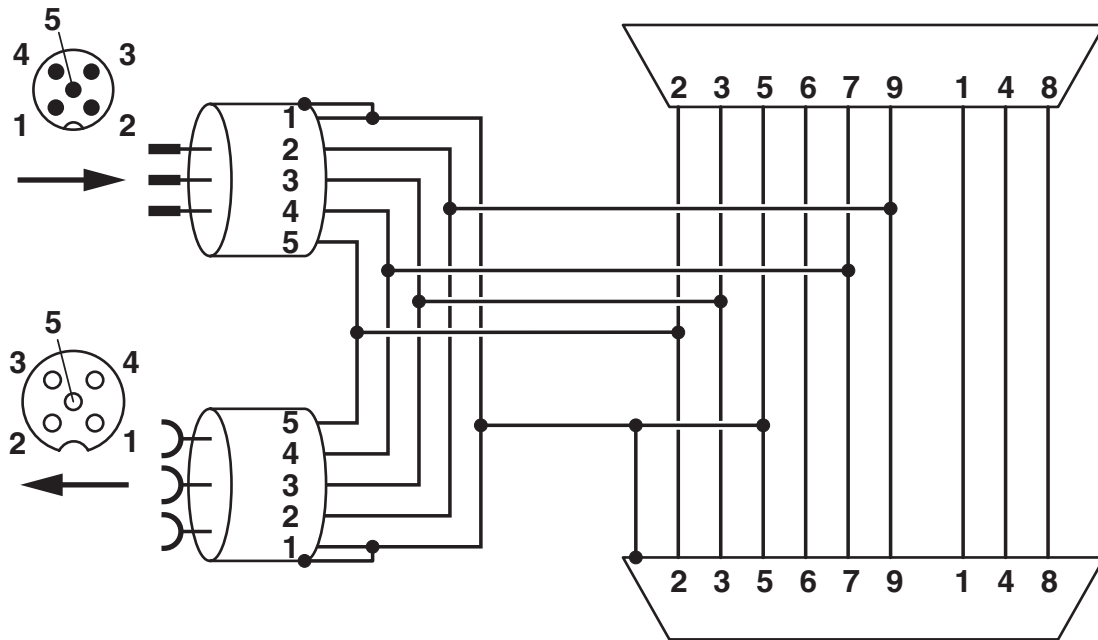
# SUBCON-PLUS-CAN/90/PG/M12 - D-SUB bus connector

2902322

<https://www.phoenixcontact.com/us/products/2902322>

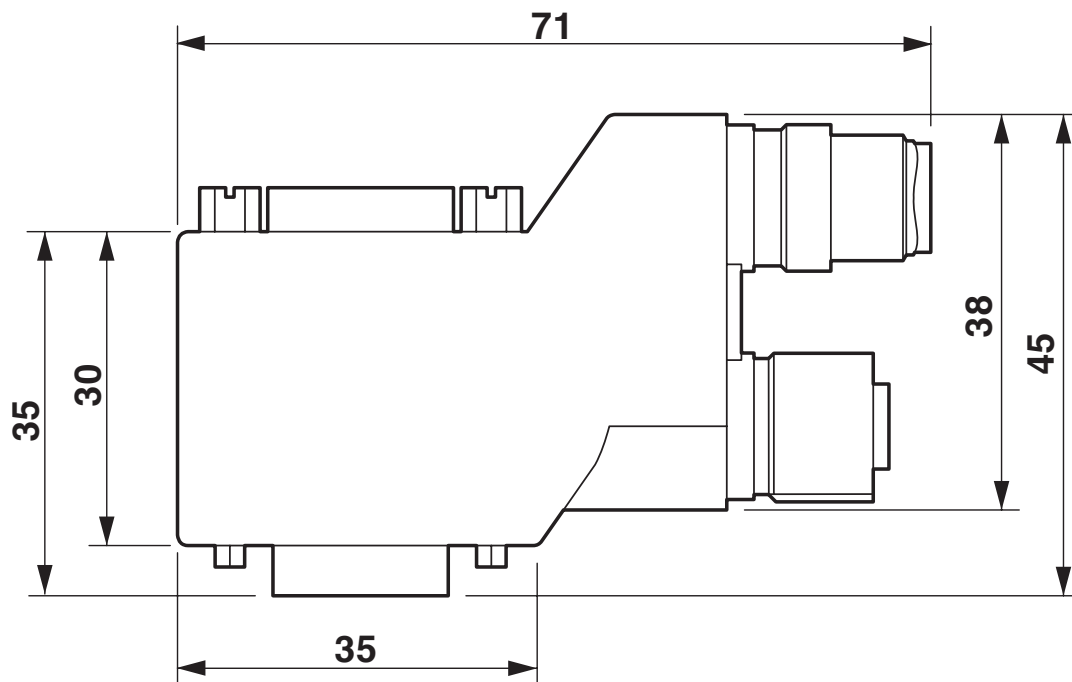
## Drawings

Block diagram



SUBCON-PLUS-CAN/...M12 function block diagram

Dimensional drawing



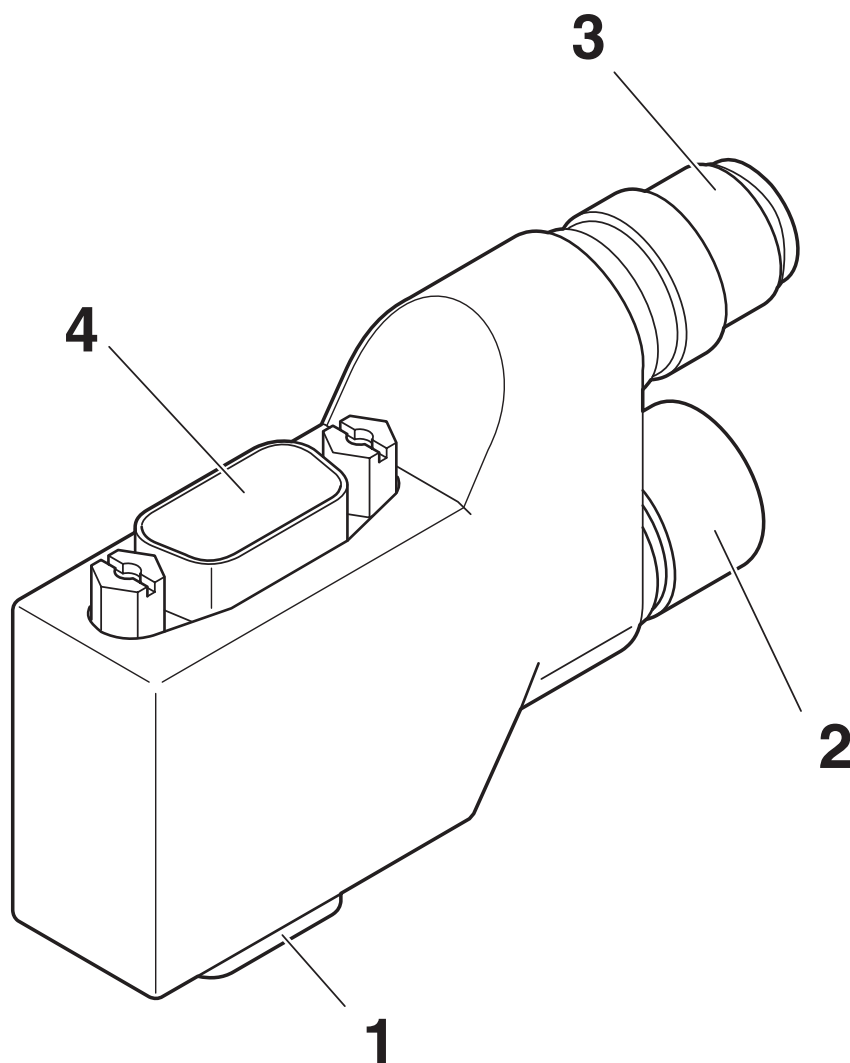
SUBCON-PLUS...90...M12 dimensional drawing, short 90° version

# SUBCON-PLUS-CAN/90/PG/M12 - D-SUB bus connector

2902322

<https://www.phoenixcontact.com/us/products/2902322>

Schematic diagram



## Function elements

1 = D-SUB 9

2 = Outgoing M12 connection

3 = Incoming M12 connection

4 = D-SUB PG connection (depending on the version)

# SUBCON-PLUS-CAN/90/PG/M12 - D-SUB bus connector



2902322

<https://www.phoenixcontact.com/us/products/2902322>

## Approvals

To download certificates, visit the product detail page: <https://www.phoenixcontact.com/us/products/2902322>



**cUL Recognized**

Approval ID: FILE E 238705



**UL Recognized**

Approval ID: FILE E 238705

**cULus Recognized**

# SUBCON-PLUS-CAN/90/PG/M12 - D-SUB bus connector



2902322

<https://www.phoenixcontact.com/us/products/2902322>

## Classifications

### ECLASS

ECLASS-11.0	27440302
ECLASS-13.0	27440302
ECLASS-12.0	27440302

### ETIM

ETIM 9.0	EC001132
----------	----------

### UNSPSC

UNSPSC 21.0	39121400
-------------	----------

# SUBCON-PLUS-CAN/90/PG/M12 - D-SUB bus connector



2902322

<https://www.phoenixcontact.com/us/products/2902322>

## Environmental product compliance

### EU RoHS

Fulfills EU RoHS substance requirements	Yes
Exemption	6(c)

### China RoHS

Environment friendly use period (EFUP)	EFUP-50
	An article-related China RoHS declaration table can be found in the download area for the respective article under "Manufacturer declaration". For all articles with EFUP-E, no China RoHS declaration table issued and required.

### EU REACH SVHC

REACH candidate substance (CAS No.)	Lead(CAS: 7439-92-1)
SCIP	5414d34d-d8e5-4573-b4e3-3ab8bbcc9d52



# SUBCON-PLUS-CAN/90/PG/M12 - D-SUB bus connector



2902322

<https://www.phoenixcontact.com/us/products/2902322>

## Accessories

SAC-5P-M12MS CAN TR - Termination resistor

1507816

<https://www.phoenixcontact.com/us/products/1507816>



Terminating resistor CANopen®/DeviceNet™ M12

---

SAC-5P-M12FS CAN TR - Termination resistor

1529344

<https://www.phoenixcontact.com/us/products/1529344>



Terminating resistor CANopen®/DeviceNet™ M12

# SUBCON-PLUS-CAN/90/PG/M12 - D-SUB bus connector



2902322

<https://www.phoenixcontact.com/us/products/2902322>

## SUBCON-PLUS-CAN/90/M12 - D-SUB bus connector

2902323

<https://www.phoenixcontact.com/us/products/2902323>

D-SUB connector, 9-pos., socket, assignment: 2, 3, 5, 7, 9; two M12 cable entries (A-coded) under 90°. Bus system: CAN, CANopen®. Termination resistor via separate M12 terminator.



---

## SAC-5P-MS/ 0,3-920/FS SCO - Bus system cable

1518258

<https://www.phoenixcontact.com/us/products/1518258>

Bus system cable, CANopen®, DeviceNet™, 5-position, PUR halogen-free, red lilac RAL 4001, shielded, Plug straight M12 SPEEDCON, coding: A, on Socket straight M12 SPEEDCON, coding: A, cable length: 0.3 m



# SUBCON-PLUS-CAN/90/PG/M12 - D-SUB bus connector



2902322

<https://www.phoenixcontact.com/us/products/2902322>

## SAC-5P-MS/ 1,0-920/FS SCO - Bus system cable

1518274

<https://www.phoenixcontact.com/us/products/1518274>



Bus system cable, CANopen®, DeviceNet™, 5-position, PUR halogen-free, red lilac RAL 4001, shielded, Plug straight M12 SPEEDCON, coding: A, on Socket straight M12 SPEEDCON, coding: A, cable length: 1 m

---

## SAC-5P-MS/ 5,0-920/FS SCO - Bus system cable

1518290

<https://www.phoenixcontact.com/us/products/1518290>



Bus system cable, CANopen®, DeviceNet™, 5-position, PUR halogen-free, red lilac RAL 4001, shielded, Plug straight M12 SPEEDCON, coding: A, on Socket straight M12 SPEEDCON, coding: A, cable length: 5 m

# SUBCON-PLUS-CAN/90/PG/M12 - D-SUB bus connector



2902322

<https://www.phoenixcontact.com/us/products/2902322>

## SAC-5P-MS-FS SCO/920/... - Bus system cable

1538157

<https://www.phoenixcontact.com/us/products/1538157>



Bus system cable, CANopen®, DeviceNet™, 5-position, PUR halogen-free, red lilac RAL 4001, shielded, Plug straight M12 SPEEDCON, coding: A, on Socket straight M12 SPEEDCON, coding: A, cable length: Free input (0.2 ... 40.0 m)

---

## SAC-5P-MS/ 2,0-920 SCO - Bus system cable

1518177

<https://www.phoenixcontact.com/us/products/1518177>



Bus system cable, CANopen®, DeviceNet™, 5-position, PUR halogen-free, red lilac RAL 4001, shielded, Plug straight M12 SPEEDCON, coding: A, on free cable end, cable length: 2 m

# SUBCON-PLUS-CAN/90/PG/M12 - D-SUB bus connector



2902322

<https://www.phoenixcontact.com/us/products/2902322>

## SAC-5P-MS-FR SCO/920/... - Bus system cable

1433304

<https://www.phoenixcontact.com/us/products/1433304>



Bus system cable, CANopen®, DeviceNet™, 5-position, PUR halogen-free, red lilac RAL 4001, shielded, Plug straight M12 SPEEDCON, coding: A, on Socket angled M12 SPEEDCON, coding: A, cable length: Free input (0.2 ... 40.0 m)

---

Phoenix Contact 2024 © - all rights reserved

<https://www.phoenixcontact.com>

Phoenix Contact USA  
586 Fulling Mill Road  
Middletown, PA 17057, United States  
(+717) 944-1300  
[info@phoenixcon.com](mailto:info@phoenixcon.com)