




## Product information GDM 3016 schwarz/black

Industrial Connecting Solutions:Rectangular Connectors:Valve Connectors (Type A -B -C):Type A:Field Attachable Valve Connectors:Valve Connectors (DIN EN 175 301-803):GDM 3016 schwarz/black

<http://www.e-catalog.beldensolutions.com/link/57078-24228-256261-256266-256270-276215-24311-35581/en/conf/ui/state>

Name	GDM 3016 schwarz/black
	
	cable socket with central screw M 3 x 35
<b>Delivery informations</b>	
Availability	available
<b>Product description</b>	
Description	cable socket with central screw M 3 x 35
Type	GDM 3016 schwarz/black
Order No.	934 395-100
Other standard types	grey housing, Order no. 934 395-106
Number of contacts	3 + PE
Cable gland	M 16
Conductor size	max. 1.5 mm <sup>2</sup>
Standard	DIN EN 175 301-803-A
Housing Color	black
Construction type	A
<b>Technical data</b>	
Pin dimensions	6.3 mm x 0.8 mm, 4.8 mm x 0.8 mm
Rated voltage	AC/DC 250 V
Rated current	16 A
Contact resistance	<= 4 mOhm
Type of termination	screw
Suitable cables	4.5 mm to 10 mm diameter
Mounting	central nut
<b>Material</b>	
Contact surface material	Sn
Contact bearer material	PA
Housing material	PA
<b>Environmental conditions</b>	
Protection class (IEC 60529)	IP 65 (gasket necessary)
Pollution severity	3
Temperature range	-40 °C to +125 °C
<b>Inflammability class</b>	
Housing	94 HB
Contact bearer	94 HB
<b>Approvals</b>	
VDE	VDE
<b>Packing unit</b>	
Packaging unit	200 pieces
<b>Scope of delivery and accessories</b>	
Accessories to order separately	(NBR) flat gasket GDM 3-7, Order no. 730 801-002; (EPDM) flat gasket GDM 3-21, Order no. 731 739-004; profiled gasket GDM 3-16, Order no. 731 531-002; knurled screw GDM 3011-8, Order no. 732 574-001; stainless steel screw GDM 3011 RF-1, Order no. 734 363-001



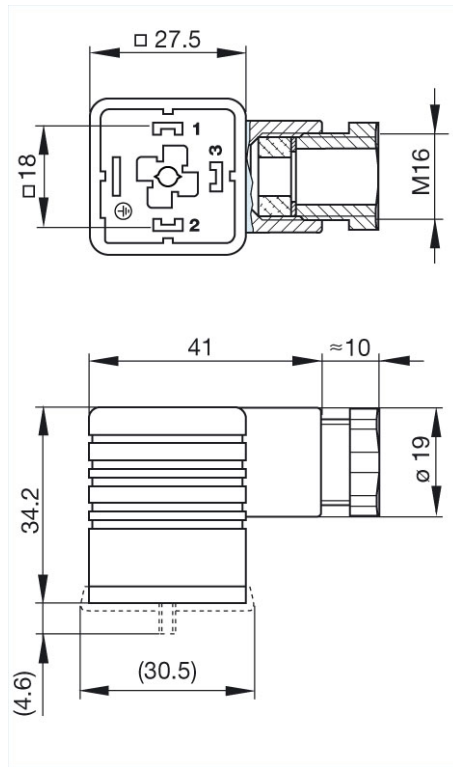
# HIRSCHMANN

A BELDEN BRAND

Industrial Connecting Solutions:Rectangular Connectors:Valve Connectors (Type A -B -C):Type A:Field Attachable Valve Connectors:Valve Connectors (DIN EN 175 301-803):GDM 3016 schwarz/black  
<http://www.e-catalog.beldensolutions.com/link/57078-24228-256261-256266-256270-276215-24311-35581/en/conf/uistate>

Picture

Drawing



#### Belden Deutschland GmbH

Im Gewerbepark 2  
58579 Schalksmühle  
Germany  
Phone: +49 7127/14-1806  
E-Mail: [icos-sales@belden.com](mailto:icos-sales@belden.com)


The information published in the websites has been compiled as carefully as possible. It is subject to alteration without notice in technical as well as in price-related/commercial respect. The complete information and data were available on user documentation. Mandatory information can only be obtained by a concrete query.



## Product information GDM 3-21 EPDM

Industrial Connecting Solutions:Rectangular Connectors:Valve Connectors (Type A -B -C):Accessories:Accessories for cable socket:Accessories for cable socket model A:GDM 3-21 EPDM

<http://www.e-catalog.beldensolutions.com/link/57078-24228-256261-256266-24328-24330-24331-39309/en/conf/uistate>

Name	GDM 3-21 EPDM
	
	flat gasket for cable socket GDM ... replaced GDM 3-21 ECO grau/grey order no. 731 739-002
<b>Delivery informations</b>	
Availability	available
<b>Product description</b>	
Description	flat gasket for cable socket GDM ... replaced GDM 3-21 ECO grau/grey order no. 731 739-002
Type	GDM 3-21 EPDM
Order No.	731 739-004
Colour	brown
<b>Material</b>	
Material	EPDM (latsfrei)
<b>Environmental conditions</b>	
Temperature range	-40 °C to +125 °C
<b>Packing unit</b>	
Packaging unit	50 pieces

### Belden Deutschland GmbH

Im Gewerbepark 2  
58579 Schalksmühle  
Germany  
Phone: +49 7127/14-1806  
E-Mail: [icos-sales@belden.com](mailto:icos-sales@belden.com)

The information published in the websites has been compiled as carefully as possible. It is subject to alteration without notice in technical as well as in price-related/commercial respect. The complete information and data were available on user documentation. Mandatory information can only be obtained by a concrete query.