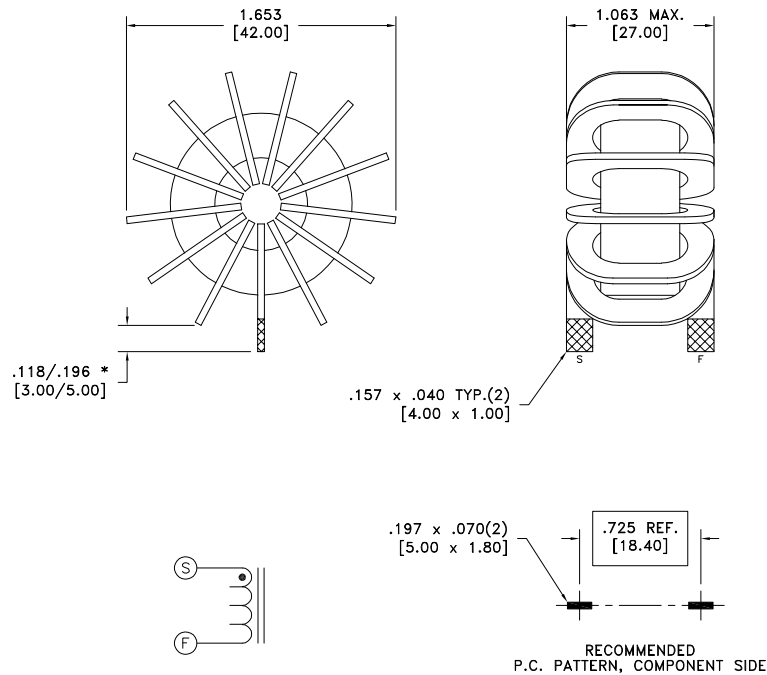


CUSTOMER TERMINAL	RoHS	LEAD(Pb)-FREE
Sn96%, Ag4%	Yes	Yes



* DIMENSION MAY BE EXCEEDED WITH SOLDER ONLY



ELECTRICAL SPECIFICATIONS @ 25°C unless otherwise noted:

PARAMETER	TEST CONDITIONS	VALUE
D.C. RESISTANCE	S-F @20°C	6 mOhms max.
INDUCTANCE	S-F 10kHz, 100mVAC, Ls	8.5 - 11uH

GENERAL SPECIFICATIONS:

OPERATING TEMPERATURE RANGE: -40°C to +125°C including temp rise.

CURRENT RATING: 15A

SATURATION CURRENT: 15A

Wire insulation & RoHS status not affected by wire color.
Wire insulation color may vary depending on availability.

REV.	DATE	Packaging Specifications Method: Tray PKG-1160 www.we-online.com/midcom		Tolerances unless otherwise specified: Angles: ±1° Fractions: ±1/64 Decimals: ±.005 [.13] Footprint: ±.001 [.03]	DRAWING TITLE INDUCTOR	PART NO. 750343811
6B	3/20			This drawing is dual dimensioned. Dimensions in brackets are in millimeters.	eiSos p/n: 750343811	SPECIFICATION SHEET 1 OF 1
6A	10/18	SEE REVISION SHEET FOR REVISION LEVEL				