

MATERIALS AND FINISHES

BODY ZINC ALLOY
PLATED NICKEL

CENTER CONTACT PHOSPHOR BRONZE
PLATED GOLD

INSULATOR POLYPROPYLENE

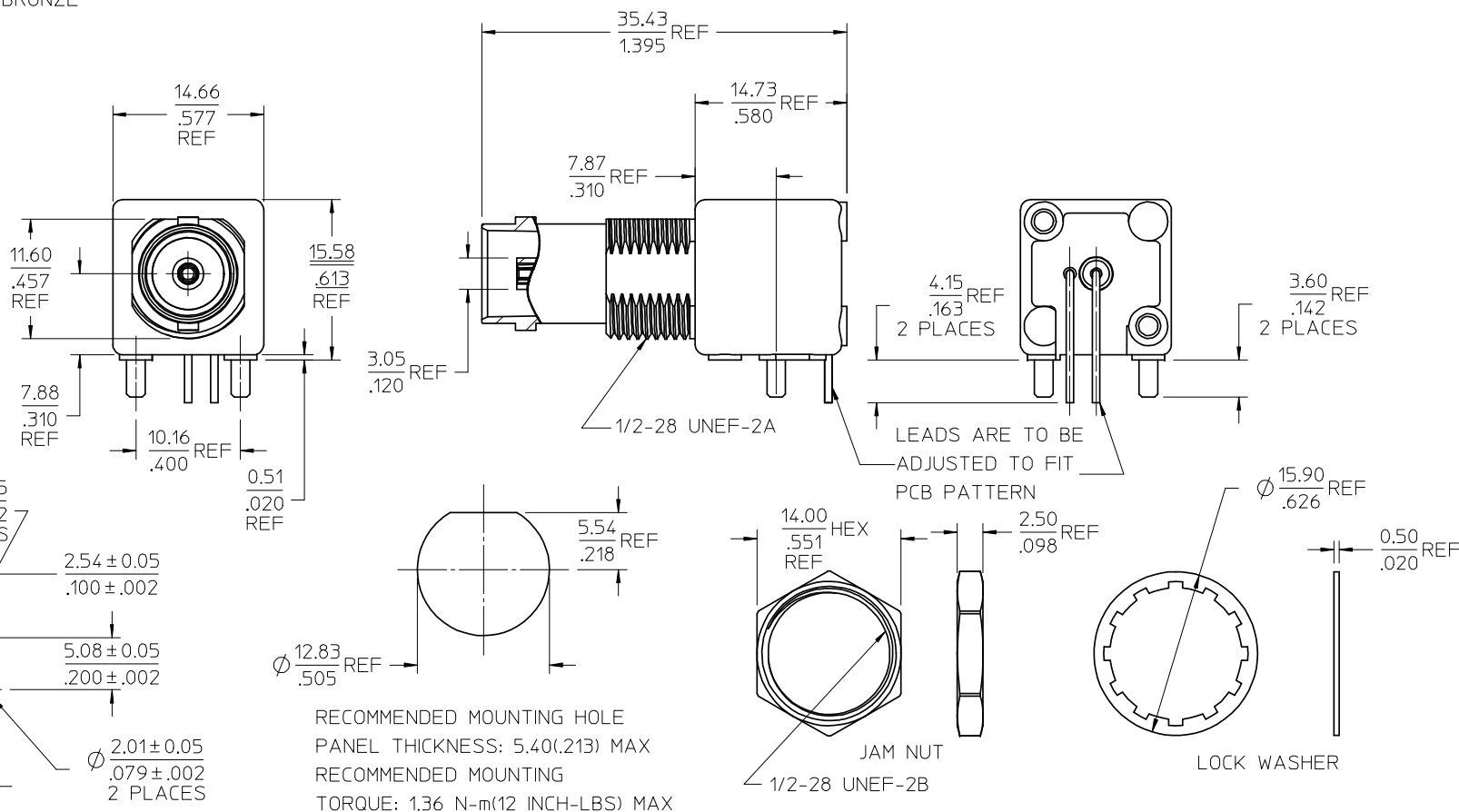
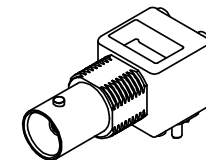
MOUNTING POST BRASS
PLATED TIN

SOLDER TAIL STEEL
PLATED TIN

WASHER PHOSPHOR BRONZE
PLATED NICKEL

JAM NUT BRASS
PLATED NICKEL

BNC JACK
75 OHM
INTERFACE



RECOMMENDED PCB HOLE

RECOMMENDED MOUNTING HOLE
PANEL THICKNESS: 5.40(.213) MAX
RECOMMENDED MOUNTING
TORQUE: 1.36 N-m(12 INCH-LBS) MAX

LEADS ARE TO BE
ADJUSTED TO FIT
PCB PATTERN

JAM NUT

LOCK WASHER

PS-73598-0051	PRODUCT SPECIFICATION
SPECIFICATION	DESCRIPTION

73171-3020	73100-0080, ONE PER BAG
73100-0080	TRAY PACK
PART NO.	PACKAGING

CHG: ADD 14.73 REF AND 7.87 REF	EC NO: URF2008-0413	2008/02/08	DRWN: WIENER	2008/02/08	CHKD: SHAH	2008/02/11	APPR: WIENER	DESCRIPTION	QUALITY SYMBOLS
									<p>▽=0</p> <p>▽=0</p>
<p>DRAFT WHERE APPLICABLE MUST REMAIN WITHIN DIMENSIONS</p>									

GENERAL TOLERANCES (UNLESS SPECIFIED)		DIMENSION STYLE MM/IN		SCALE	DESIGN UNITS METRIC	THIRD ANGLE PROJECTION
4 PLACES	± --- ± ---	mm	INCH	DRAWN BY DENG	DATE 1993/02/04	TITLE BNC JACK, R/A RECEPTACLE, 75 OHMS BNC-J/RA/PCB
3 PLACES	± --- ± ---			CHECKED BY	DATE	MOLEX INCORPORATED
2 PLACES	± --- ± ---			APPROVED BY KHW	DATE 1993/02/11	
1 PLACE	± --- ± ---			MATERIAL NO.	DOCUMENT NO.	SHEET NO.
ANGULAR ± 2 °		SEE TABLE		SD-73100-0080		1 OF 1
THIS DRAWING CONTAINS INFORMATION THAT IS PROPRIETARY TO MOLEX INCORPORATED AND SHOULD NOT BE USED WITHOUT WRITTEN PERMISSION						