

HC-D 64-A-UT-PER-M - Terminal adapter



1584318

<https://www.phoenixcontact.com/us/products/1584318>

Please be informed that the data shown in this PDF document is generated from our online catalog. Please find the complete data in the user documentation. Our general terms of use for downloads are valid.



HEAVYCON terminal adapter male insert, D64 series, 64-pos., left protective conductor connection for the right side of the control cabinet, screw connection

Commercial data

Item number	1584318
Packing unit	1 pc
Minimum order quantity	1 pc
Sales key	BF61
Product key	BF7ADE
Catalog page	Page 537 (C-2-2019)
GTIN	4046356142571
Weight per piece (including packing)	509.5 g
Weight per piece (excluding packing)	509.5 g
Customs tariff number	85366990
Country of origin	CN

HC-D 64-A-UT-PER-M - Terminal adapter



1584318

<https://www.phoenixcontact.com/us/products/1584318>

Technical data

Notes

General	For HEAVYCON-ADVANCE mounting flange and HEAVYCON panel mounting base of B24 type
General	Connectors may be operated only when there is no load/voltage.

Product properties

Product type	Terminal adapter
Product family	HC-D
Series	HC-D
Type	B24
Number of positions	64
Connection profile	64+PE
Type	for the right side of the control cabinet
Screwdriver blade	0.5 x 3.5 mm

Insulation characteristics

Overvoltage category	III
Degree of pollution	3

Electrical properties

Rated voltage (III/3)	250 V
Rated surge voltage	4 kV
Rated current	10 A
SCCR	5 kA (UL 2237)

Connection data

Connection technology

Connection technology	Screw connection
Connection in acc. with standard	IEC / EN

Conductor connection

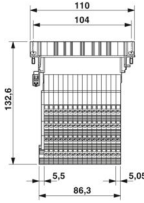
Conductor cross section	0.2 mm ² ... 2.5 mm ²
Connection cross section AWG	22 ... 12
Tightening torque	0.5 Nm ... 0.8 Nm
Stripping length of the individual wire	10 mm

Dimensions

HC-D 64-A-UT-PER-M - Terminal adapter

1584318

<https://www.phoenixcontact.com/us/products/1584318>

Dimensional drawing	
Width	34 mm
Height	132.6 mm
Length	110 mm
Drill hole distance, horizontal	104 mm
Drill hole distance, vertical	27 mm

Material specifications

Flammability rating according to UL 94	V0
Contact material	Copper alloy
Contact surface material	Ag
Contact carrier material	PA
Standards/regulations	PA: Fire protection in rail vehicles - requirement sets R22, R23, and R24 acc. to DIN EN 45545-2 (Risk level HL1 - HL3)

Cable/line

Stripping length of the individual wire	10 mm
---	-------

Mechanical properties

Mechanical data

Insertion/withdrawal cycles	≥ 500
-----------------------------	-------

Environmental and real-life conditions

Ambient conditions

Ambient temperature (operation)	-40 °C ... 125 °C
---------------------------------	-------------------

Standards and regulations

Constructional and testing regulations	DIN EN 61984
	DIN EN 60664
	IEC 60352
Tests	DIN EN 61984
	DIN EN 60664
	IEC 60352

Testing

Standards/regulations	PA: Fire protection in rail vehicles - requirement sets R22, R23, and R24 acc. to DIN EN 45545-2 (Risk level HL1 - HL3)
-----------------------	---

Mounting

HC-D 64-A-UT-PER-M - Terminal adapter



1584318

<https://www.phoenixcontact.com/us/products/1584318>

Assembly note	To ensure correct use, installation in housing with IP54 protection or better is required
	Not for HC-EVO panel mounting bases
	Not for HC-EVO panel mounting bases
	Not for HC-B 24-AMQ-EMV housings

HC-D 64-A-UT-PER-M - Terminal adapter

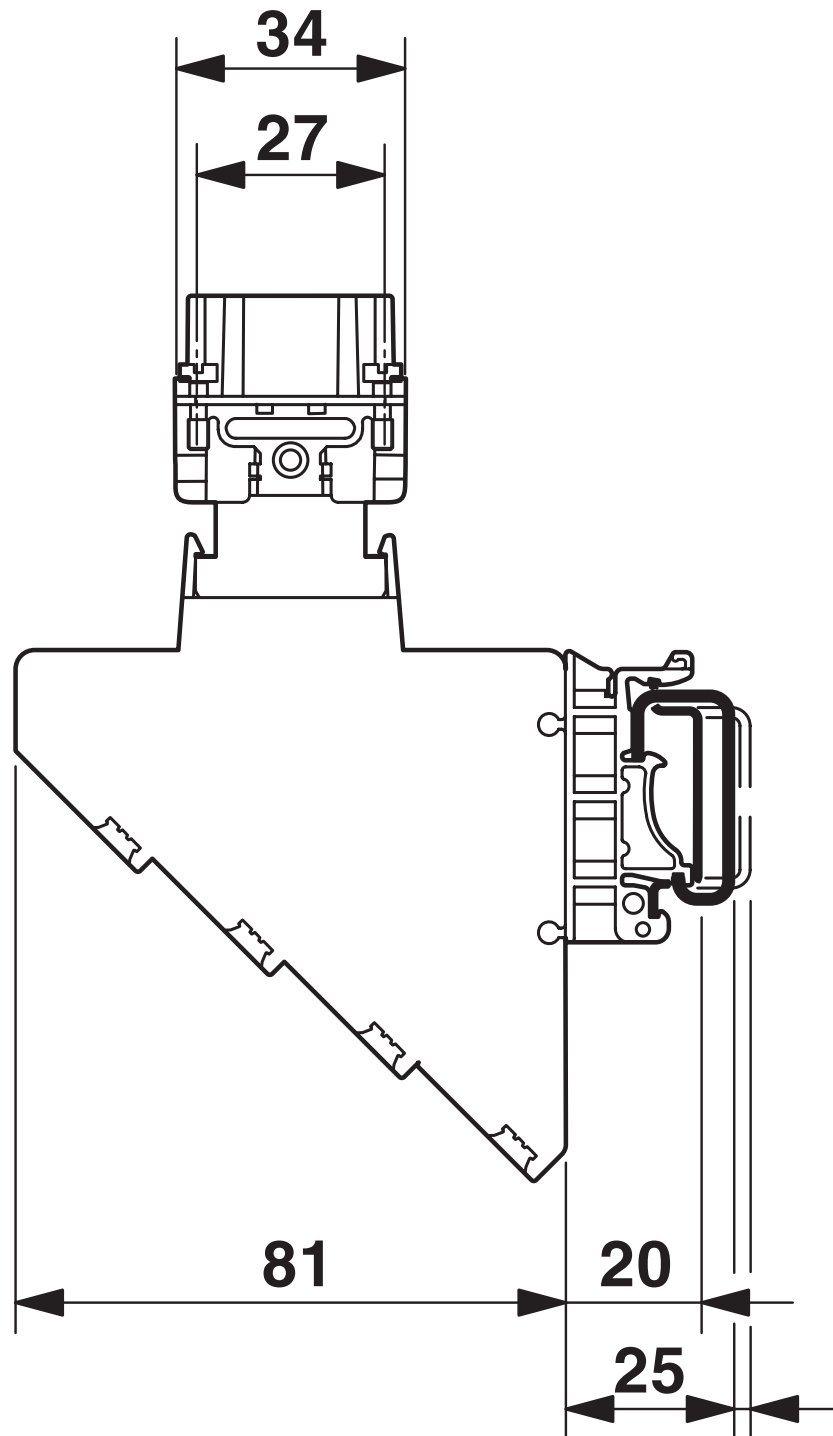
1584318

<https://www.phoenixcontact.com/us/products/1584318>



Drawings

Dimensional drawing



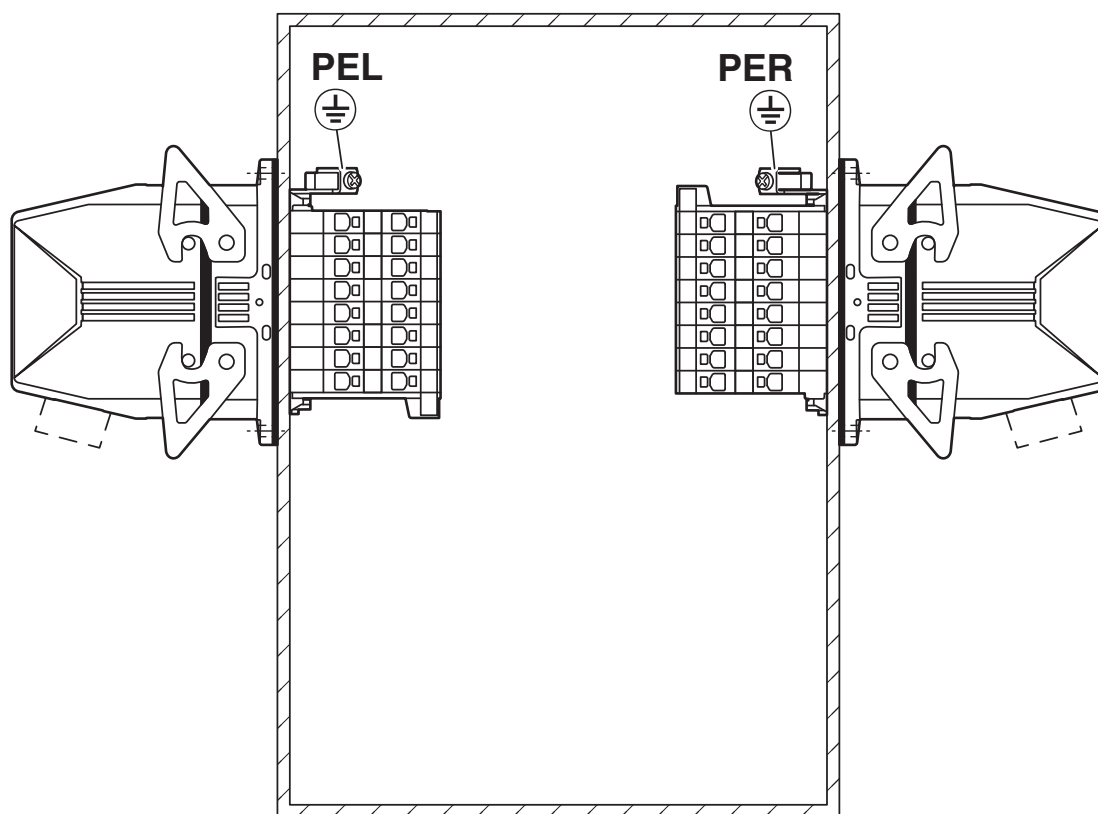
Dimensional drawing, side view

HC-D 64-A-UT-PER-M - Terminal adapter

1584318

<https://www.phoenixcontact.com/us/products/1584318>

Application drawing



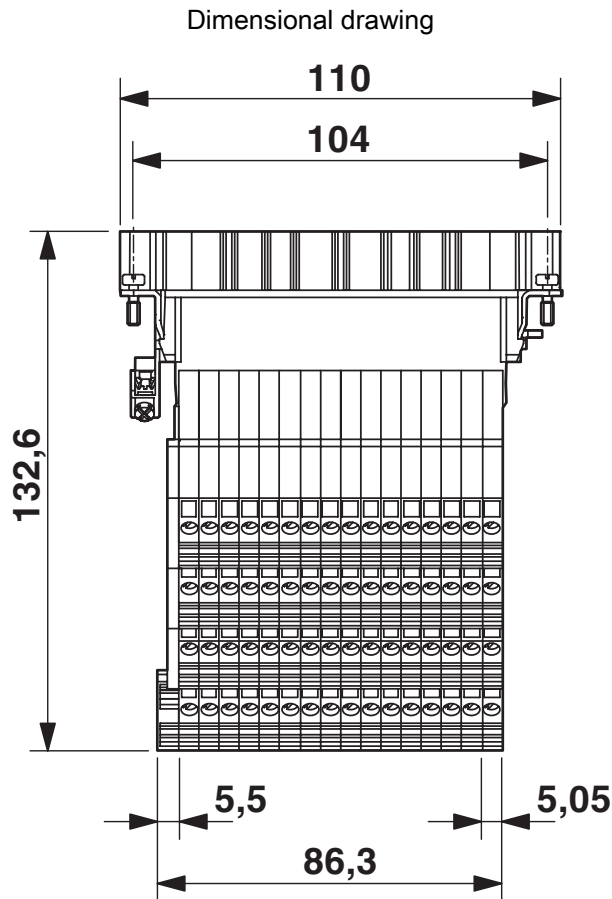
Mounting position PE connection left/right (PEL/PER)

HC-D 64-A-UT-PER-M - Terminal adapter

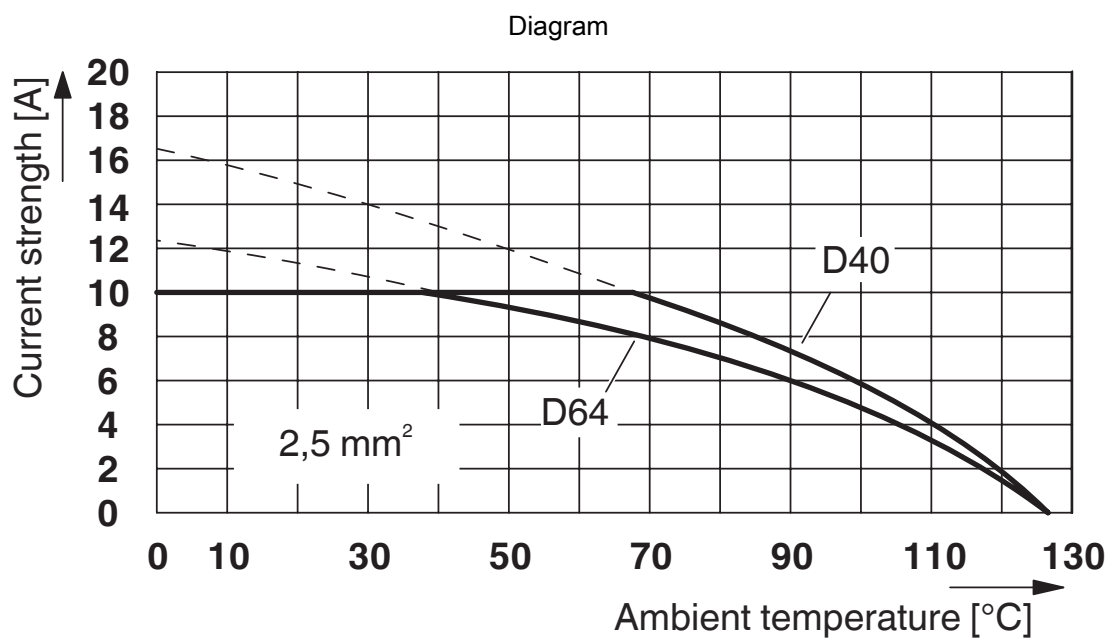


1584318

<https://www.phoenixcontact.com/us/products/1584318>



Dimensional drawing



Derating diagram for 2.5 mm²

HC-D 64-A-UT-PER-M - Terminal adapter





1584318


<https://www.phoenixcontact.com/us/products/1584318>

Approvals

To download certificates, visit the product detail page: <https://www.phoenixcontact.com/us/products/1584318>

 CSA Approval ID: 13631	Nominal voltage U_N	Nominal current I_N	Cross section AWG	Cross section mm^2
	600 V	7 A	- 14	-

 UL Recognized Approval ID: E118976	Nominal voltage U_N	Nominal current I_N	Cross section AWG	Cross section mm^2
	600 V	7 A	- 14	-

 UL Recognized Approval ID: E468743	Nominal voltage U_N	Nominal current I_N	Cross section AWG	Cross section mm^2
	600 V	7 A	-	-

HC-D 64-A-UT-PER-M - Terminal adapter



1584318

<https://www.phoenixcontact.com/us/products/1584318>

Classifications

ECLASS

ECLASS-11.0	27440222
ECLASS-12.0	27440222
ECLASS-13.0	27440222

ETIM

ETIM 9.0	EC000438
----------	----------

UNSPSC

UNSPSC 21.0	39121500
-------------	----------

HC-D 64-A-UT-PER-M - Terminal adapter



1584318

<https://www.phoenixcontact.com/us/products/1584318>

Environmental product compliance

EU RoHS

Fulfills EU RoHS substance requirements	Yes, No exemptions
---	--------------------

China RoHS

Environment friendly use period (EFUP)	EFUP-E
	No hazardous substances above the limits

EU REACH SVHC

REACH candidate substance (CAS No.)	No substance above 0.1 wt%
-------------------------------------	----------------------------

HC-D 64-A-UT-PER-M - Terminal adapter

1584318

<https://www.phoenixcontact.com/us/products/1584318>

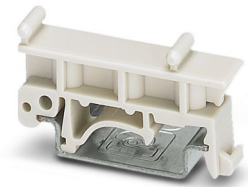


Accessories

HC-KA-FE - Foot element

1775240

<https://www.phoenixcontact.com/us/products/1775240>



Foot element, for mounting on DIN rail NS 32, DIN rail NS 35/7.5 or DIN rail NS 35/15, can be inserted between basic and side element

HC-VSH - Locking screw barrel

1660083

<https://www.phoenixcontact.com/us/products/1660083>



Locking screw barrel, for a firm connection of contact inserts and DIN-rail mountable terminal adapters

HC-D 64-A-UT-PER-M - Terminal adapter

1584318

<https://www.phoenixcontact.com/us/products/1584318>



HC-CST - Coding element

1676857

<https://www.phoenixcontact.com/us/products/1676857>



Coding peg for coding up to 16 connectors

HC-CBU - Coding element

1676860

<https://www.phoenixcontact.com/us/products/1676860>



Coding socket for coding up to 16 connectors

HC-D 64-A-UT-PER-M - Terminal adapter

1584318

<https://www.phoenixcontact.com/us/products/1584318>



HC-CB - Coding bolt

1772722

<https://www.phoenixcontact.com/us/products/1772722>



Coding pin, prevents mismatching of up to six connectors with an identical number of positions

HC-B-PES - Screw

1604997

<https://www.phoenixcontact.com/us/products/1604997>



PE screw, for contact inserts HC-B / HC-BB / HC-DD / HC-D40 / HC-D64

HC-D 64-A-UT-PER-M - Terminal adapter

1584318

<https://www.phoenixcontact.com/us/products/1584318>



HC-B-3PE - PE multiplier

1644326

<https://www.phoenixcontact.com/us/products/1644326>

PE multiplier, for 3 PE connections, for HC-B / HC-BB / HC-DD / HC-D40 / HC-D64 contact inserts

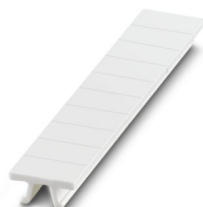


ZB 5 :UNBEDRUCKT - Zack marker strip

1050004

<https://www.phoenixcontact.com/us/products/1050004>

Zack marker strip, Strip, white, unlabeled, can be labeled with: PLOTMARK, CMS-P1-PLOTTER, mounting type: snapped, for terminal block width: 5.2 mm, lettering field size: 5.1 x 10.5 mm, Number of individual labels: 10



HC-D 64-A-UT-PER-M - Terminal adapter

1584318

<https://www.phoenixcontact.com/us/products/1584318>



HC-D 64-I-CT-F - Contact insert

1584444

<https://www.phoenixcontact.com/us/products/1584444>



Contact insert, number of positions: 64+PE, size: B24, number of connections per position: 1, Socket, Crimp connection, 250 V, 10 A, 0.14 mm² ... 2.5 mm², application: Signal

Phoenix Contact 2024 © - all rights reserved

<https://www.phoenixcontact.com>

Phoenix Contact USA
586 Fulling Mill Road
Middletown, PA 17057, United States
(+717) 944-1300
info@phoenixcon.com