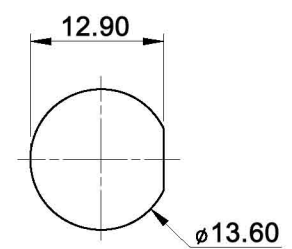
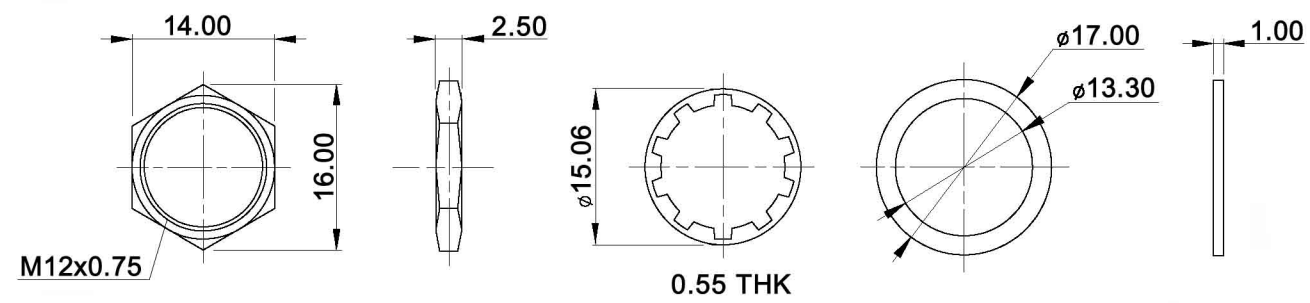


PANEL CUT-OUT



HARDWARE:



Tolerances: 0.00: ±0.25mm 0.0: ±0.40mm			Date	Name	<h1>DPWL 1 CG-xy</h1>
			02/08	dr	
LED colour table	06/10	dr	<h2>knitter-switch</h2>		<h1>30 13 72</h1>
Actuator color black	06/08	dr			
Operating temperature	04/08	dr			
Water proofing	04/08	dr			
Modifications	Date	Name			
					Page
					1/2

Specifications:

Contact rating: max.: 400mA, 32V AC; 100mA, 50V DC; 125mA, 125V AC
 Contact resistance: 50mOhm max.
 Insulation resistance: 1GOhm min at 500V DC
 Dielectric strength: 1 000V AC RMS
 Operating temperature: -30°C to +85°C
 Electrical life: 500 000 cycles at full load
 Operating force: 2N - 5N
 Contact bounce: 10 ms
 Torque: 0.5Nm max. applied to nut
 Soldering conditions: 300°C max., 3sec.
 Total travel: 1.5mm
 Panel thickness: 1.5mm min., 4.0mm max.
 IP rating: IP 67 (mounted)
 Material: Case: DAP UL94V-0
 Cap / bushing: polyamide 6/6
 Terminal / contacts: gold over silver plated

Lens appearance	Colour	Electro-optical data (at 20mA)				Peak wavelength	Viewing angle
		Vf (V)		Iv (mcd)			
		Typ.	max.	Typ.	max.		
Water clear	white (at 5mA)	3.2	3.6	250.0	94.0	x=0.28 y=0.29	35°
	super red	1.7	2.6	60.0	28.0	660.0	
	super yellow	2.1	2.6	200.0	94.0	590.0	
	super green	2.0	2.6	100.0	42.0	570.0	
	super blue	3.2	3.6	150.0	63.0	470.0	
	super yellow	2.1	2.6	200.0	94.0	590.0	
	super green	2.0	2.6	80.0	42.0	570.0	
	super yellow	2.1	2.6	200.0	94.0	590.0	
	super blue	3.2	3.6	200.0	94.0	460.0	
	super yellow	2.1	2.6	100.0	63.0	590.0	
	super red	2.0	2.6	90.0	42.0	630.0	
	super red	2.0	2.6	90.0	42.0	630.0	
	super red	2.0	2.6	90.0	42.0	630.0	
	super blue	3.2	3.6	200.0	94.0	460.0	
super green	2.0	2.6	100.0	42.0	570.0		
super blue	3.2	3.6	200.0	94.0	460.0		

X=CAP COLOR	
W	white
K	black
R	red
O	orange
Y	yellow
G	green
B	blue

Y=LED COLOR	
W	white
R	red
Y	yellow
G	green
B	blue
YG	yellow / green
YB	yellow / blue
YR	yellow / red
RG	red / green
RB	red / blue
GB	green / blue

SWITCH FUNCTION

Model No.	POS. 1	POS. 2
DPWL 1 CG	OFF	MOM
Term. Conn.	OPEN	SHORT



Tolerances: 0.00: ±0.25mm 0.0: ±0.40mm		Date	Name	DPWL 1 CG-xy
		02/08	dr	
				knitter-switch
				30 13 72
Modifications	Date	Name		Page 2/2